



Chipsmall Limited consists of a professional team with an average of over 10 year of expertise in the distribution of electronic components. Based in Hongkong, we have already established firm and mutual-benefit business relationships with customers from,Europe,America and south Asia,supplying obsolete and hard-to-find components to meet their specific needs.

With the principle of “Quality Parts,Customers Priority,Honest Operation,and Considerate Service”,our business mainly focus on the distribution of electronic components. Line cards we deal with include Microchip,ALPS,ROHM,Xilinx,Pulse,ON,Everlight and Freescale. Main products comprise IC,Modules,Potentiometer,IC Socket,Relay,Connector.Our parts cover such applications as commercial,industrial, and automotives areas.

We are looking forward to setting up business relationship with you and hope to provide you with the best service and solution. Let us make a better world for our industry!



Contact us

Tel: +86-755-8981 8866 Fax: +86-755-8427 6832

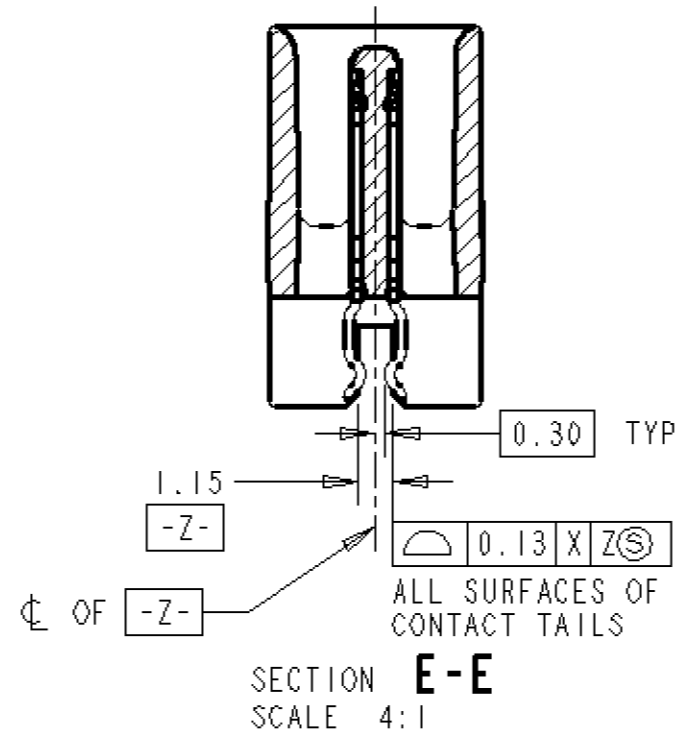
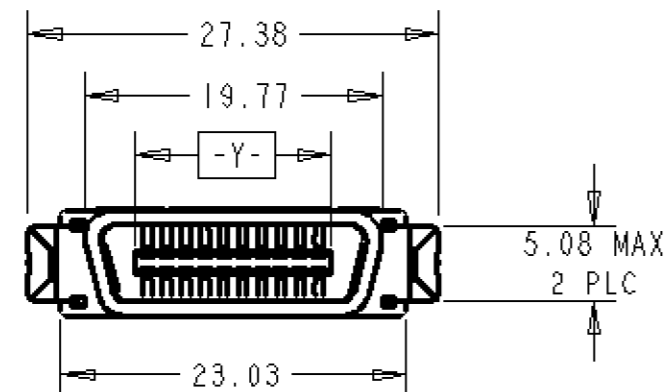
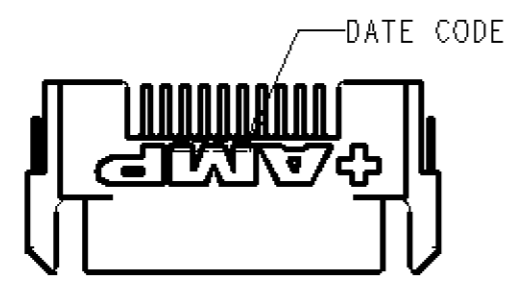
Email & Skype: info@chipsmall.com Web: www.chipsmall.com

Address: A1208, Overseas Decoration Building, #122 Zhenhua RD., Futian, Shenzhen, China

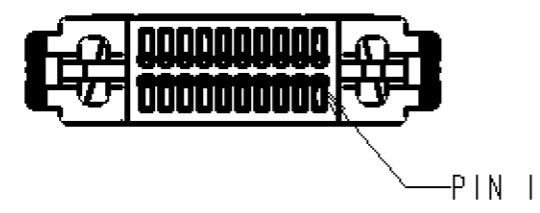
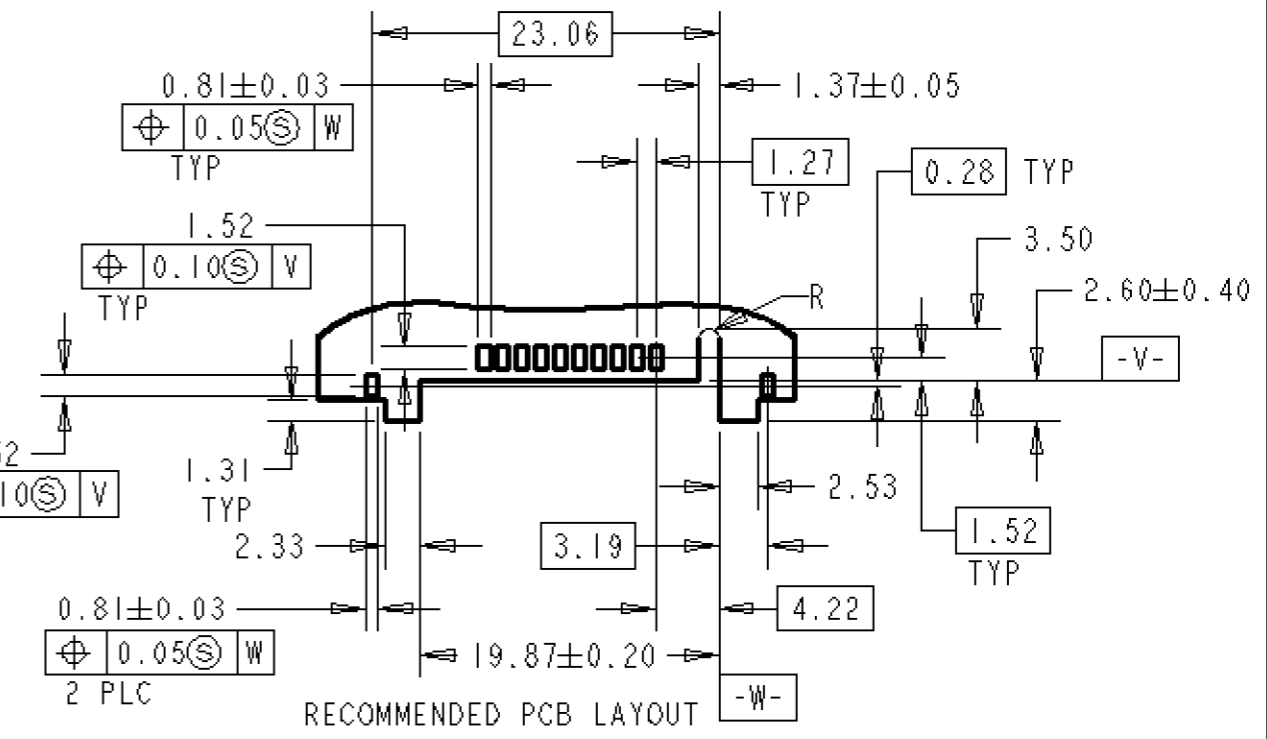
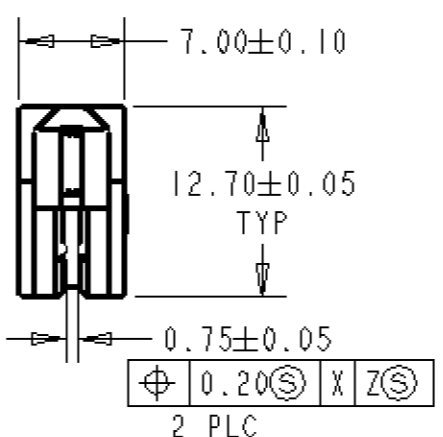
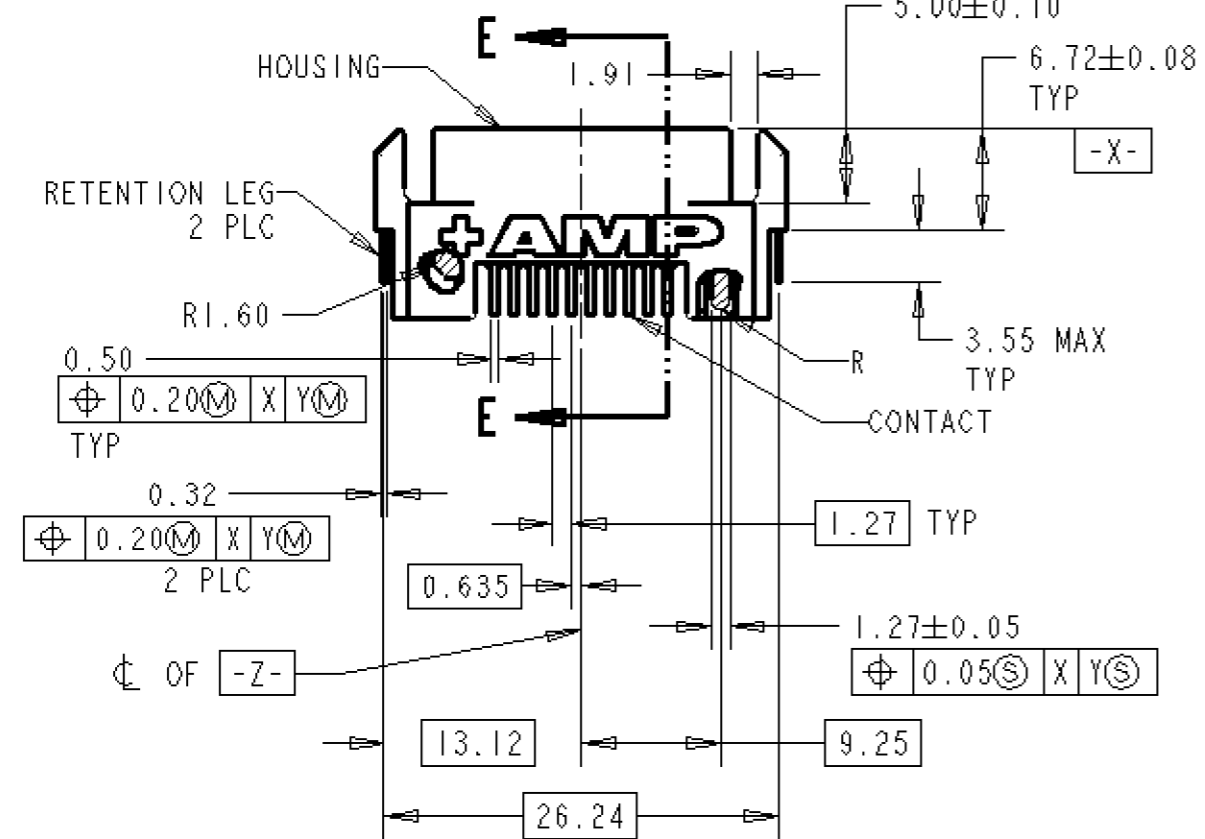


THIS DRAWING IS UNPUBLISHED. RELEASED FOR PUBLICATION BY AMP INCORPORATED. ALL RIGHTS RESERVED.

LOC	DIST	REVISIONS					
DY	-	P	LTR	DESCRIPTION	DATE	DMN	APVD
		A		REVISED FP00-0276-99	30AUG99	LWY	TAP



NOTES:
 1 HOUSING: LCP, UL 94V-0 RATED, BLACK
 CONTACTS: PHOSPHOR BRONZE
 RETENTION LEGS: BRASS
 2 CONTACT:
 0.76um MIN GOLD FOR A LENGTH 2.00 STARTING 1.00 MAX FROM MATING END, 3.81um MIN TIN/LEAD FOR A LENGTH OF 3.43 MIN FROM OPPOSITE END, BOTH OVER 1.27um MIN NICKEL
 RETENTION LEG:
 3.81 um MIN TIN-LEAD OVER 1.27um MIN NICKEL
 3. RECOMMENDED PCB THICKNESS: 0.80±0.10



P/N: -1 AS SHOWN

<small>THIS DRAWING IS A CONTROLLED DOCUMENT FOR AMP INCORPORATED. IT IS SUBJECT TO CHANGE AND THE CONTROLLING ENGINEERING ORGANIZATION SHOULD BE CONTACTED FOR THE LATEST REVISION.</small>		DWN WYLEE 4MAY99 CHK AP TAY APVD SE LEONG PRODUCT SPEC 108-1548 APPLICATION SPEC 114-6061 WEIGHT - CUSTOMER DRAWING	AMP ANP MANUFACTURING (SINGAPORE) PTE. LTD. NAME PLUG ASSY, STRADDLE MOUNT, CHAMP BLINDMATE .050 SERIES I, 20P (NARROW GAP) SIZE A3 CAGE CODE 00779 DRAWING NO C-84653 SCALE 2:1 SHEET 1 OF 1 REV A
DIMENSIONS: mm 	TOLERANCES UNLESS OTHERWISE SPECIFIED: 0 PLC ± 1 PLC ± 2 PLC ±0.15 3 PLC ± 4 PLC ± ANGLES ±°	MATERIAL FINISH	