



Chipsmall Limited consists of a professional team with an average of over 10 year of expertise in the distribution of electronic components. Based in Hongkong, we have already established firm and mutual-benefit business relationships with customers from,Europe,America and south Asia,supplying obsolete and hard-to-find components to meet their specific needs.

With the principle of “Quality Parts,Customers Priority,Honest Operation,and Considerate Service”,our business mainly focus on the distribution of electronic components. Line cards we deal with include Microchip,ALPS,ROHM,Xilinx,Pulse,ON,Everlight and Freescale. Main products comprise IC,Modules,Potentiometer,IC Socket,Relay,Connector.Our parts cover such applications as commercial,industrial, and automotives areas.

We are looking forward to setting up business relationship with you and hope to provide you with the best service and solution. Let us make a better world for our industry!



Contact us

Tel: +86-755-8981 8866 Fax: +86-755-8427 6832

Email & Skype: info@chipsmall.com Web: www.chipsmall.com

Address: A1208, Overseas Decoration Building, #122 Zhenhua RD., Futian, Shenzhen, China

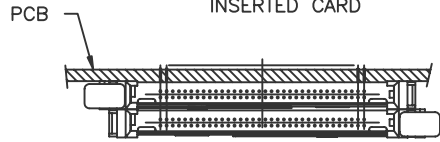
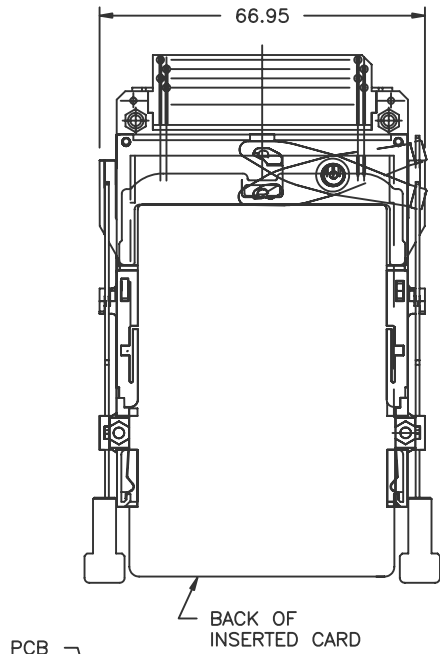


Tous droits strictement reserves. Reproduction ou communication a des tiers interdite sous quelque forme que ce soit sans autorisation ecrite du proprietaire. Propriete de c FCI. Droits de reproduction FCI.

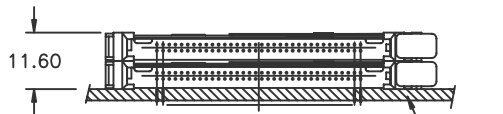
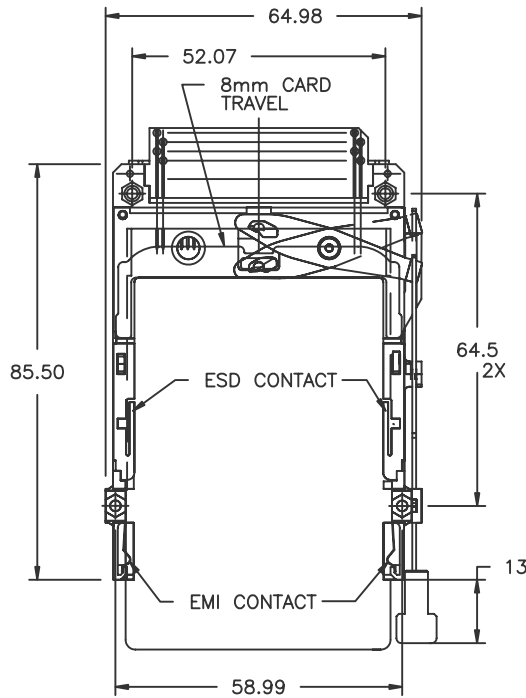


All rights strictly reserved. Reproduction or issue to third parties in any form whatever is not permitted without written authority from the proprietor. Property of FCI. Copyright FCI.

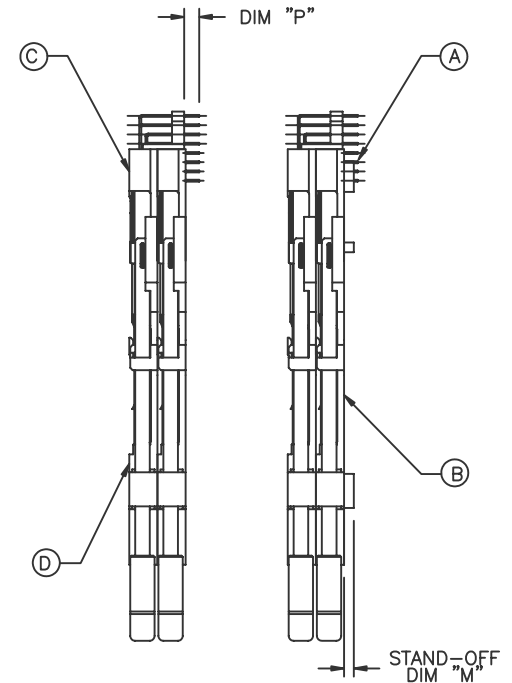
PCMCIA COMPONENTS
DOUBLE DECK NARROW BODY -
FRONT EJECT 3.3V HEADER ASSY.
65mm WIDE, 8mm CARD TRAVEL



LEFT/RIGHT PUSH ROD
RT. ANGLE SOLDER TAIL
BELOW PCB SIDE
P/N: 84654-600CA
P/N: 84654-600CALF



RIGHT/RIGHT PUSH ROD
RT. ANGLE SOLDER TAIL
ABOVE PCB SIDE
P/N: 84654-200CA
P/N: 84654-200CALF



STAND-OFF
RT. ANGLE
SOLDER TAIL

mat'l. code				tolerances unless otherwise specified				CUSTOMER COPY		 www.fciconnect.com	
ltr	ecn no	dr	date	linear	.X ±.3				projection	title	
A	V82119	CGC	12/15/98		.XX ±.10					DBL. DECK 3.3v	
B	V11118	TFC	03/26/01		.XXX ±.050					EJECT HDR. ASSEMBLY	
C	V21409	GIP	09/09/02	angles	0° ±2'				 MM scale 1:1	product family MCS	
D	V03-0518	WL	05/29/03	dr	G.CLEMENS	12/15/98	size			code	
E	N05-0091	WB	03/25/05	enr	D.BRANN	12/15/98	dwg no			213	
				chr	D.BRANN	12/15/98	A		84654	sheet 1 of 4	
				appd	D.BRANN	12/15/98					
sheet index	revision sheet	E	E	E	E	E					
		1	2	3	4						

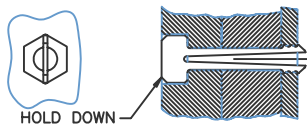
DESCRIPTION: ABOVE AND BELOW P.C.B., DECK AND PUSH-ROD LOCATION ARE AS VIEW BY USER.

PRODUCT NO. 84654-XXXX	STAND OFF DIM "M" (mm)	UPPER DECK		LOWER DECK		SOLDERABLE HOLD DOWN (A)	DIM "P" (mm)	HEADER COLOR	MOUNTING STYLE TO PCB & PUSH ROD SIDE
		MECHANISM 95079- XXXX (D)	HEADER 94898- XXX (C)	MECHANISM 95079- XXXX (B)	HEADER 94898- XXX (A)				
000CA	0	00CA	005	10CA	000		2.8	BLACK	
020CA	2	00CA	045	12CA	040		2.5	BLACK	
100CA	0	10CA	005	00CA	000		2.8	BLACK	
120CA	2	10CA	045	02CA	040		2.5	BLACK	
200CA	0	00CA	005	00CA	000		2.8	BLACK	
220CA	2	00CA	045	02CA	040		2.5	BLACK	
220CAH	2	00CA	045	02CA	040	93925-006	2.5	BLACK	
300CA	0	10CA	005	10CA	000		2.8	BLACK	
300CAH	0	10CA	005	10CA	000	93925-005	2.8	BLACK	
320CA	2	10CA	045	12CA	040		2.5	BLACK	
500CA	0	00CA	505	10CA	500		2.8	NATURAL	
520CA	2	00CA	545	12CA	540		2.5	NATURAL	
600CA	0	10CA	505	00CA	500		2.8	NATURAL	
620CA	2	10CA	545	02CA	540		2.5	NATURAL	
700CA	0	10CA	505	10CA	500		2.8	NATURAL	
720CA	2	10CA	545	12CA	540		2.5	NATURAL	
800CA	0	00CA	505	00CA	500		2.8	NATURAL	
820CA	2	00CA	545	02CA	540		2.5	NATURAL	

NOTES:(CONTINUOUS ON SHEET 3)

- REFER TO HEADER DRAWING 94898 AND EJECT MECHANISM 95079 FOR ADDITIONAL DIMENSIONS, MATERIAL, AND PLATING INFORMATION.
- RECOMMENDED SCREW TORQUE: 1.0 TO 1.5 MAX in-lbs. (1.2-1.7 cm-kgs).
RECOMMENDED HOLD-DOWN: 2mm SCREWS AND NUTS.
SEE DRAWINGS 95121 AND 92869.
- FOR SINGLE-DECK APPLICATIONS, SEE DRAWING 61126.

④ ADD "H" TO END OF PRODUCT NO. FOR OPTIONAL SOLDERABLE HOLD DOWN.



mat'l. code		tolerances unless otherwise specified		CUSTOMER COPY		 www.fciconnect.com	
ltr	ecn no	dr	date	linear	.X ±.3	projection	 title DBL. DECK 3.3v EJECT HDR. ASSEMBLY
D					.XX ±.10	 MM	
				angles	.XXX ±.050		
				dr	G.CLEMENS 12/15/98	1:1	product family MCS
				enr	D.BRANN 12/15/98		code 213
				chr	D.BRANN 12/15/98		size dwg no
				appd	D.BRANN 12/15/98		84654
sheet index	revision sheet						sheet 2 of

Tous droits strictement reserves. Reproduction ou communication a des tiers interdite sous quelque forme que ce soit sans autorisation ecrite du proprietaire. Propriete de c FCI. Droits de reproduction FCI.



All rights strictly reserved. Reproduction or issue to third parties in any form whatever is not permitted without written authority from the proprietor. Property of FCI. Copyright FCI.

DESCRIPTION: ABOVE AND BELOW P.C.B., DECK AND PUSH-ROD LOCATION ARE AS VIEW BY USER.

PRODUCT NO. 84654-XXXX	STAND OFF DIM "M" (mm)	UPPER DECK		LOWER DECK		SOLDERABLE HOLD DOWN A	DIM "P" (mm)	HEADER COLOR	MOUNTING STYLE TO PCB & PUSH ROD SIDE
		MECHANISM 95079- XXXX D	HEADER 94898- XXX C	MECHANISM 95079- XXXX B	HEADER 94898- XXX A				
000CALF	0	00CA	005LF	10CA	000LF		2.8	BLACK	
020CALF	2	00CA	045LF	12CA	040LF		2.5	BLACK	
100CALF	0	10CA	005LF	00CA	000LF		2.8	BLACK	
120CALF	2	10CA	045LF	02CA	040LF		2.5	BLACK	
200CALF	0	00CA	005LF	00CA	000LF		2.8	BLACK	
220CALF	2	00CA	045LF	02CA	040LF		2.5	BLACK	
220CAHLF	2	00CA	045LF	02CA	040LF	93925-006	2.5	BLACK	
300CALF	0	10CA	005LF	10CA	000LF		2.8	BLACK	
300CAHLF	0	10CA	005LF	10CA	000LF	93925-005	2.8	BLACK	
320CALF	2	10CA	045LF	12CA	040LF		2.5	BLACK	
500CALF	0	00CA	505LF	10CA	500LF		2.8	NATURAL	
520CALF	2	00CA	545LF	12CA	540LF		2.5	NATURAL	
600CALF	0	10CA	505LF	00CA	500LF		2.8	NATURAL	
620CALF	2	10CA	545LF	02CA	540LF		2.5	NATURAL	
700CALF	0	10CA	505LF	10CA	500LF		2.8	NATURAL	
720CALF	2	10CA	545LF	12CA	540LF		2.5	NATURAL	
800CALF	0	00CA	505LF	00CA	500LF		2.8	NATURAL	
820CALF	2	00CA	545LF	02CA	540LF		2.5	NATURAL	

NOTES:(CONTINOUS FROM SHEET 2)

- 5. IF LEAD FREE P/N.THE HOUSING WILL WITHSTAND EXPOSURE TO 260°C PEAK TEMPERATURE FOR 10 SECONDS IN A WAVE SOLDER APPLICATION WITH A 1.00MM MINIMUM THICK CIRCUIT BOARD.
- 6. IF LEAD FREE P/N.THE PRODUCT MEETS EUROPEAN UNION DIRECTIVES AND OTHER COUNTRY REGULATIONS AS DISCRIBLED IN GS-22-008
- 7. LEAD FREE P/N PACKAGING MEETS GS-14-920 SPECIFICATION

mat'l. code				tolerances unless otherwise specified		CUSTOMER COPY		 www.fciconnect.com			
ltr	ecn no	dr	date	linear	.X ±.3	projection		title			
E					.XX ±.10			DBL. DECK 3.3v		EJECT HDR. ASSEMBLY	
					.XXX ±.050			product family MCS		code 213	
				angles	0° ±2'	 MM	 1:1	size dwg no			
				dr	G.CLEMENS			12/15/98	A 84654		
				enr	D.BRANN			12/15/98	sheet 3 of		
				chr	D.BRANN			12/15/98			
				appd	D.BRANN	12/15/98					
sheet index	revision sheet										

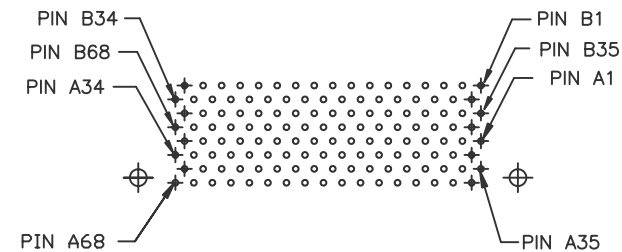
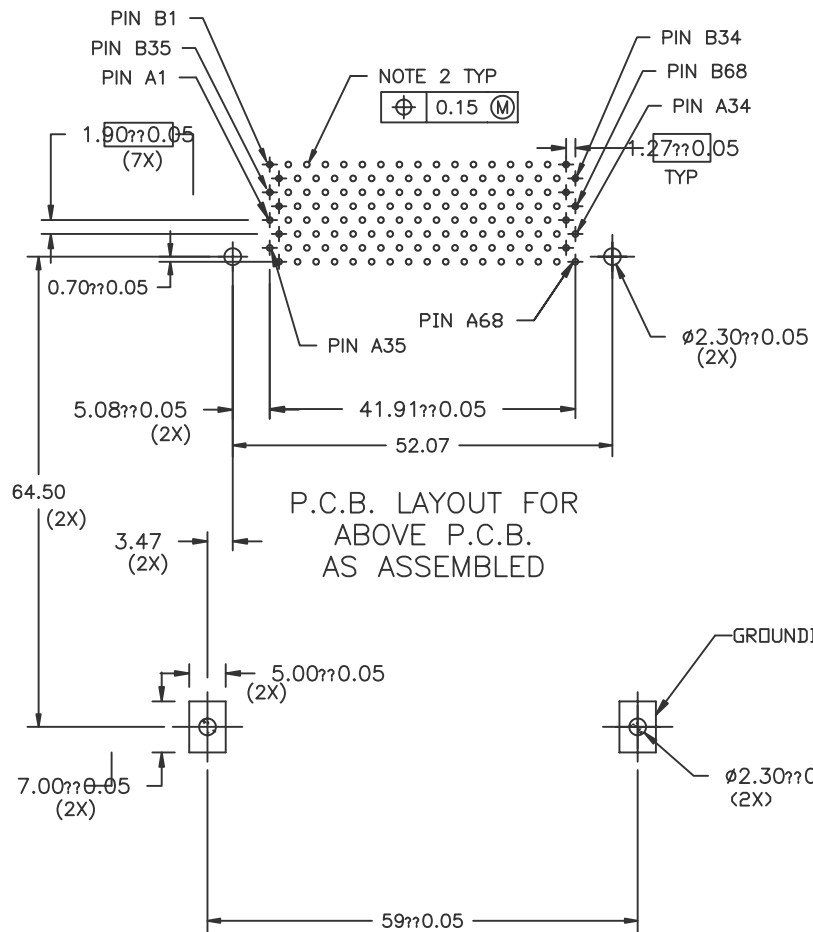


All rights strictly reserved. Reproduction or issue to third parties in any form whatever is not permitted without written authority from the proprietor. Property of FCI. Copyright FCI.

Tous droits strictement reserves. Reproduction ou communication a des tiers interdite sous quelque forme que ce soit sans autorisation ecrite du proprietaire. Propriete de c FCI. Droits de reproduction FCI.

Tous droits strictement reserves. Reproduction ou communication a des tiers interdite sous quelque forme que ce soit sans autorisation écrite du propriétaire. Propriete de c FCI. Droits de reproduction FCI.

All rights strictly reserved. Reproduction or issue to third parties in any form whatever is not permitted without written authority from the proprietor. Property of FCI. Copyright FCI.



NOTES:

1. ALL TOLERANCES ± 0.15 UNLESS NOTED.
2. RECOMMENDED DIAMETER IS $\phi 1.0$ FOR PROCESSES USING PASTE REFLOW, HOLE MAY BE AS SMALL AS $\phi 0.79$

mat'l. code		tolerances unless otherwise specified		CUSTOMER COPY		 www.fciconnect.com			
ltr	ecn no	dr	date	linear	.X $\pm .3$	projection			
E					.XX $\pm .10$			title	DBL. DECK 3.3v EJECT HDR. ASSEMBLY
					.XXX $\pm .050$				
				angles	0' $\pm 2'$	 MM	product family		
				dr	G.CLEMENS			12/15/98	MCS
				enr	D.BRANN	12/15/98	code		
				chr	D.BRANN	12/15/98	213		
				appd	D.BRANN	12/15/98	sheet		
							4 of		
sheet index	revision sheet								