



Chipsmall Limited consists of a professional team with an average of over 10 year of expertise in the distribution of electronic components. Based in Hongkong, we have already established firm and mutual-benefit business relationships with customers from,Europe,America and south Asia,supplying obsolete and hard-to-find components to meet their specific needs.

With the principle of “Quality Parts,Customers Priority,Honest Operation,and Considerate Service”,our business mainly focus on the distribution of electronic components. Line cards we deal with include Microchip,ALPS,ROHM,Xilinx,Pulse,ON,Everlight and Freescale. Main products comprise IC,Modules,Potentiometer,IC Socket,Relay,Connector.Our parts cover such applications as commercial,industrial, and automotives areas.

We are looking forward to setting up business relationship with you and hope to provide you with the best service and solution. Let us make a better world for our industry!



Contact us

Tel: +86-755-8981 8866 Fax: +86-755-8427 6832

Email & Skype: info@chipsmall.com Web: www.chipsmall.com

Address: A1208, Overseas Decoration Building, #122 Zhenhua RD., Futian, Shenzhen, China

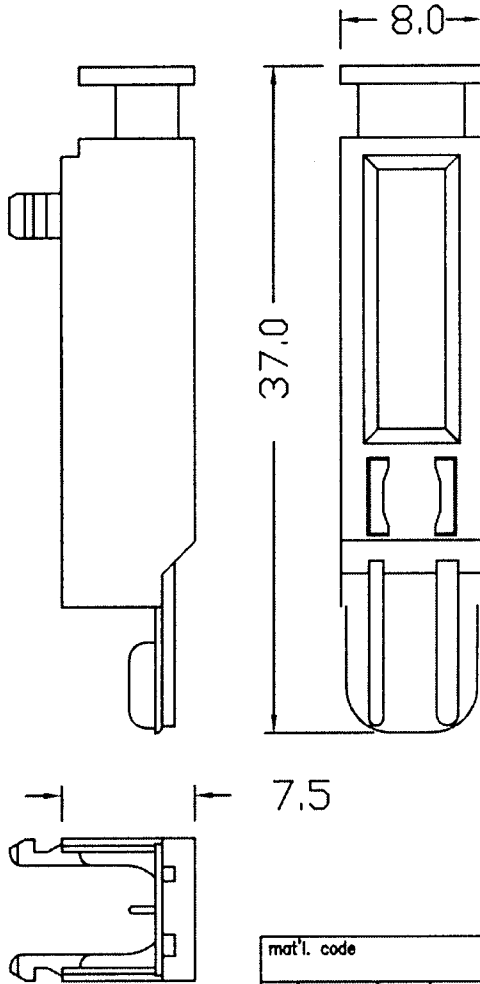
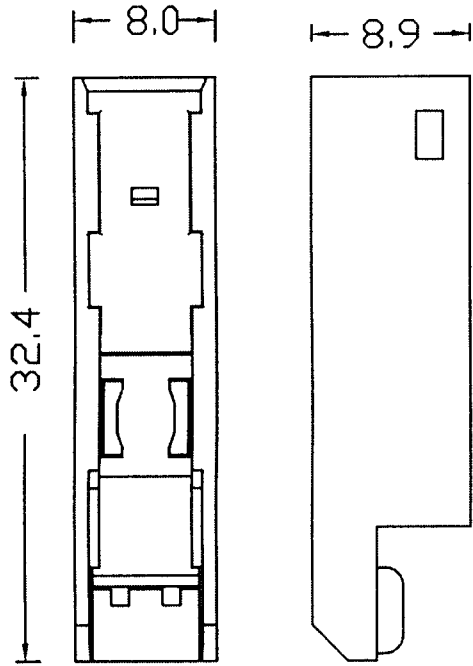


Tous droits strictement réservés. Reproduction ou communication à des tiers interdite sans quelque forme que ce soit sans autorisation écrite du propriétaire. Propriété de ©BERG ELECTRONICS. Droits de reproduction BERG ELECTRONICS INC.

All rights strictly reserved. Reproduction or issue to third parties in any form whatever is not permitted without written authority from the proprietor. Property of ©BERG ELECTRONICS Copyright BERG ELECTRONICS INC.

PRODUCT NO.
84663-002

PRODUCT NO.
84663-001



NOTES:

1. SEE APPLICATION SPECIFICATION, GES-20-007, FOR INSTRUCTION ON WIRE INSERTION AND ASSEMBLY OF COMPONENTS FOR CONNECTOR USING THESE COVERS.

MATERIAL:

GLASS FILLED 612 POLYAMIDE

mat'l. code				tolerances unless otherwise specified		CUSTOMER COPY		BERG ELECTRONICS	
itr	ecn no	dr	date	linear	angles	projection	title		
A	V82260	JRV	D1/04/99				5x4 COVERS		
						mm	84666 CABLE CONNECTOR		
				dr	J.R. VOLSTORF	D1/04/99	product family	METRAL	code
				enqr	J.R. VOLSTORF	D1/04/99	size	dwg no	sheet
				chr	J.R. VOLSTORF	D1/04/99	scale	A4	1 of 1
				appd	J.R.VOLSTORF	D1/04/99	1:1	84663	
sheet index	revision sheet	A	1						