



Chipsmall Limited consists of a professional team with an average of over 10 year of expertise in the distribution of electronic components. Based in Hongkong, we have already established firm and mutual-benefit business relationships with customers from,Europe,America and south Asia,supplying obsolete and hard-to-find components to meet their specific needs.

With the principle of “Quality Parts,Customers Priority,Honest Operation,and Considerate Service”,our business mainly focus on the distribution of electronic components. Line cards we deal with include Microchip,ALPS,ROHM,Xilinx,Pulse,ON,Everlight and Freescale. Main products comprise IC,Modules,Potentiometer,IC Socket,Relay,Connector.Our parts cover such applications as commercial,industrial, and automotives areas.

We are looking forward to setting up business relationship with you and hope to provide you with the best service and solution. Let us make a better world for our industry!



Contact us

Tel: +86-755-8981 8866 Fax: +86-755-8427 6832

Email & Skype: info@chipsmall.com Web: www.chipsmall.com

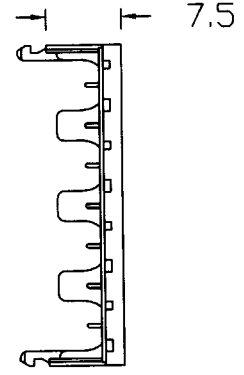
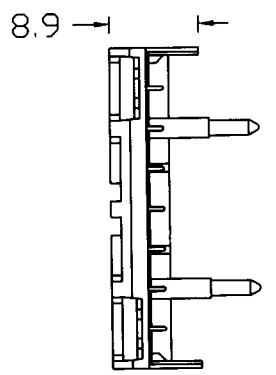
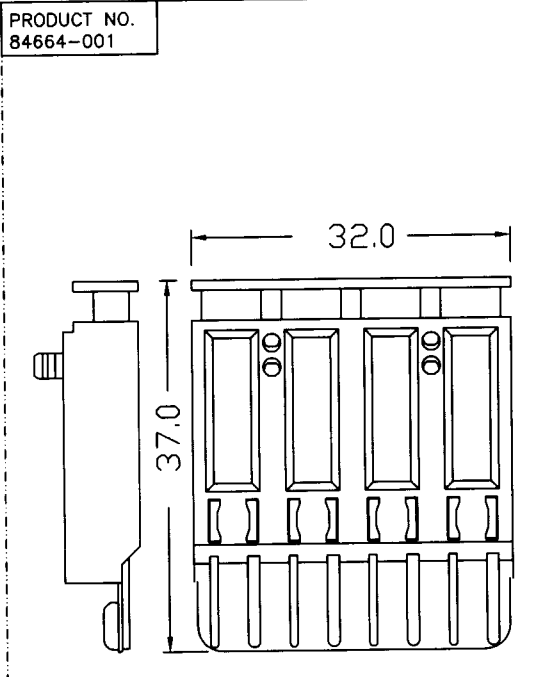
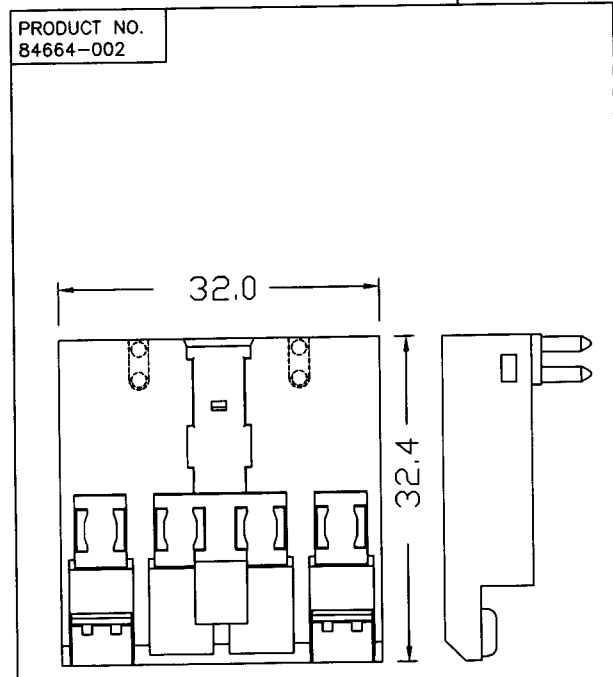
Address: A1208, Overseas Decoration Building, #122 Zhenhua RD., Futian, Shenzhen, China



Tous droits strictement réservés. Reproduction ou communication a des tiers interdite sous quelque forme que ce soit sans autorisation écrite du propriétaire. Propriété de FCI. Droits de reproduction FCI.



All rights strictly reserved. Reproduction or issue to third parties in any form whatever is not permitted without written authority from the proprietor. Property of FCI. Copyright FCI.



NOTES:
1. SEE APPLICATION SPECIFICATION, GES-20-007, FOR INSTRUCTION ON WIRE INSERTION AND ASSEMBLY OF COMPONENTS FOR CONNECTOR USING THESE COVERS.

MATERIAL:
GLASS FILLED 612 POLYAMIDE

mat'l. code				tolerances unless otherwise specified		CUSTOMER COPY		Electronics www.fciconnect.com	
ltr	ecn no	dr	date	linear	projection	title			
A	V82260	JRV	01/04/99			5 X 16 COVERS			
B	V11076	JRW	03/14/01	angles	INCH/MM scale 1:1	product family METRAL		code 213	
				dr		J.R. VOLSTORF	D1/04/99	size	
				enrg	J.R. VOLSTORF	D1/04/99	A		1 of 3
				chr	J.R. VOLSTORF	D1/04/99	84664		
				appd	J.R. VOLSTORF	D1/04/99			
sheet index	revision sheet	B	B	B					
		1	2	3					
						cage code		22526	

ACAD

PDM: Rev:B

STATUS: Released

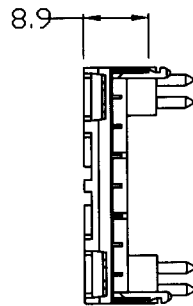
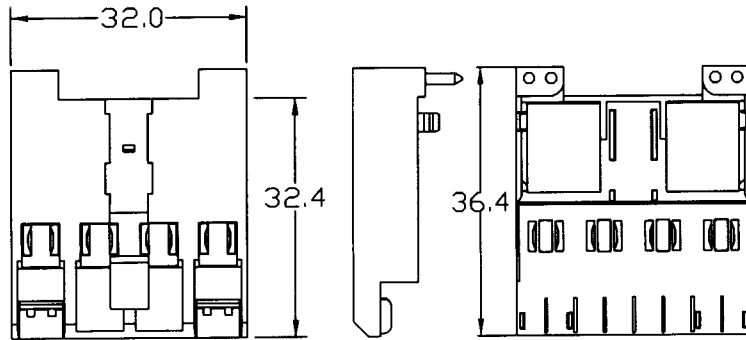
Printed: Feb 04, 2006

Tous droits strictement réservés. Reproduction ou communication à des tiers interdite sous quelque forme que ce soit sans autorisation écrite du propriétaire. Propriété de c FCI. Droits de reproduction FCI.



All rights strictly reserved. Reproduction or issue to third parties in any form whatever is not permitted without written authority from the proprietor. Property of FCI. Copyright FCI.

PRODUCT NUMBER
84664-012



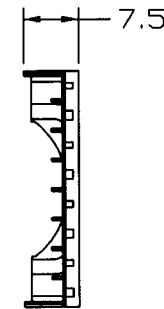
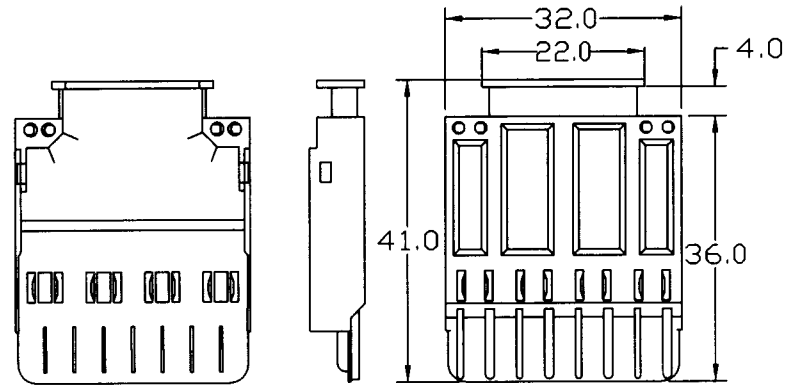
NOTES:

1. SEE APPLICATION SPECIFICATION, GES-20-007, FOR INSTRUCTION ON WIRE INSERTION AND ASSEMBLY OF COMPONENTS FOR CONNECTOR USING THESE COVERS.

MATERIAL:

GLASS FILLED 612 POLYAMIDE

PRODUCT NUMBER
84664-011



mat'l. code				tolerances unless otherwise specified		CUSTOMER COPY		Electronics www.fciconnect.com	
ltr	ecn no	dr	date	linear	projection	title			
B						5 X 16 COVERS			
				angles		84667 CABLE CONNECTOR			
				dr		J. WITMER	1/25/01	product family	METRAL
				engr	M. PERHACS	1/25/01	size	dwg no	213
				chr	M. PERHACS	1/25/01	scale	A	84664
				appd	M. PERHACS	1/25/01	1:1		sheet 2 of
sheet index	revision sheet								

cage code
22526

ACAD

PDM: Rev:B

STATUS: Released

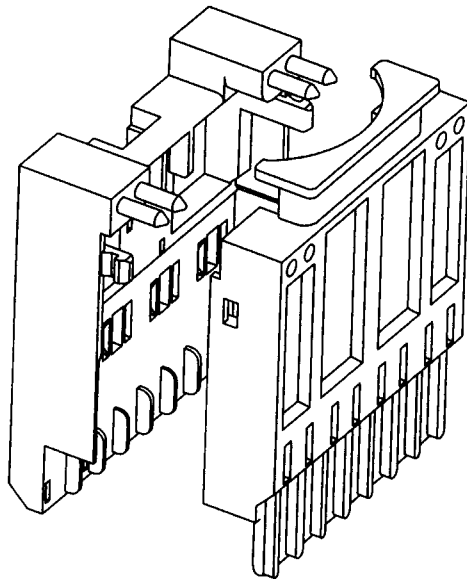
Printed: Feb 04, 2006

Tous droits strictement reserves. Reproduction ou communication a des tiers interdite sous quelque forme que ce soit sans autorisation écrite du propriétaire. Propriete de c FCI. Droits de reproduction FCI.

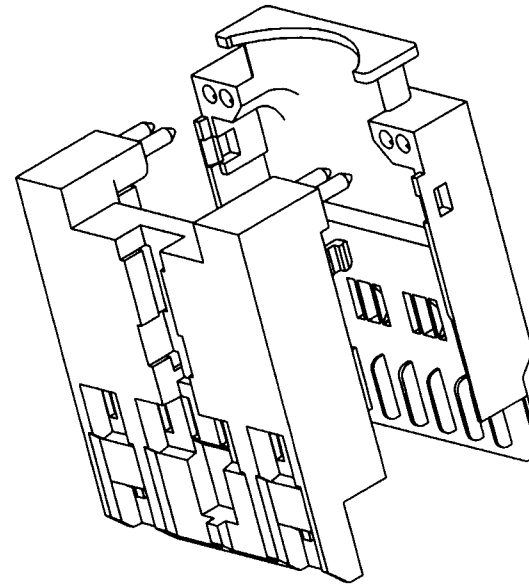


All rights strictly reserved. Reproduction or issue to third parties in any form whatever is not permitted without written authority from the proprietor. Property of FCI Copyright FCI.

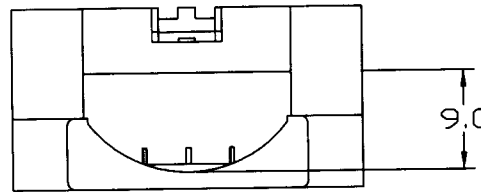
PRODUCT NUMBER
84664-01X



SCALE 3:2



SCALE 3:2



SCALE 3:2

mat'l. code				tolerances unless otherwise specified				CUSTOMER COPY		Electronics www.fciconnect.com	
ltr	ecn no	dr	date	linear	projection			title			
B								5 X 16 COVERS			
				angles	INCH/MM			84667 CABLE CONNECTOR			
		dr	J. WITMER	1/25/01	scale			product family		code	
		enr	M. PERHACS	1/25/01	1:1			METRAL		213	
		chr	M. PERHACS	1/25/01	A			size dwg no		sheet	
		appd	M. PERHACS	1/25/01	84664					3 of	
sheet index	revision sheet										

cage code
22526

ACAD

PDM: Rev:B

STATUS: Released

Printed: Feb 04, 2006