



Chipsmall Limited consists of a professional team with an average of over 10 year of expertise in the distribution of electronic components. Based in Hongkong, we have already established firm and mutual-benefit business relationships with customers from,Europe,America and south Asia,supplying obsolete and hard-to-find components to meet their specific needs.

With the principle of "Quality Parts,Customers Priority,Honest Operation,and Considerate Service",our business mainly focus on the distribution of electronic components. Line cards we deal with include Microchip,ALPS,ROHM,Xilinx,Pulse,ON,Everlight and Freescale. Main products comprise IC,Modules,Potentiometer,IC Socket,Relay,Connector.Our parts cover such applications as commercial,industrial, and automotives areas.

We are looking forward to setting up business relationship with you and hope to provide you with the best service and solution. Let us make a better world for our industry!



Contact us

Tel: +86-755-8981 8866 Fax: +86-755-8427 6832

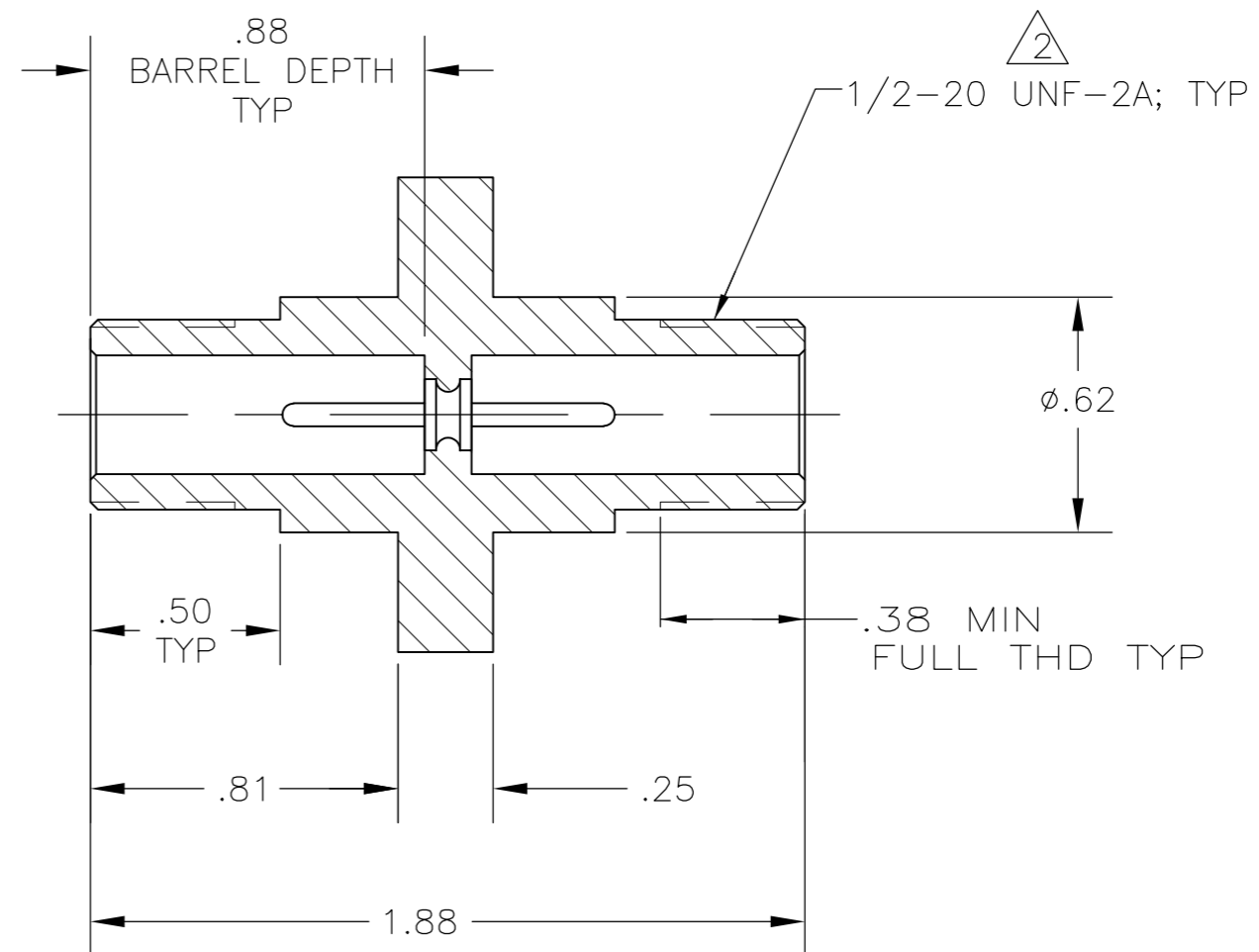
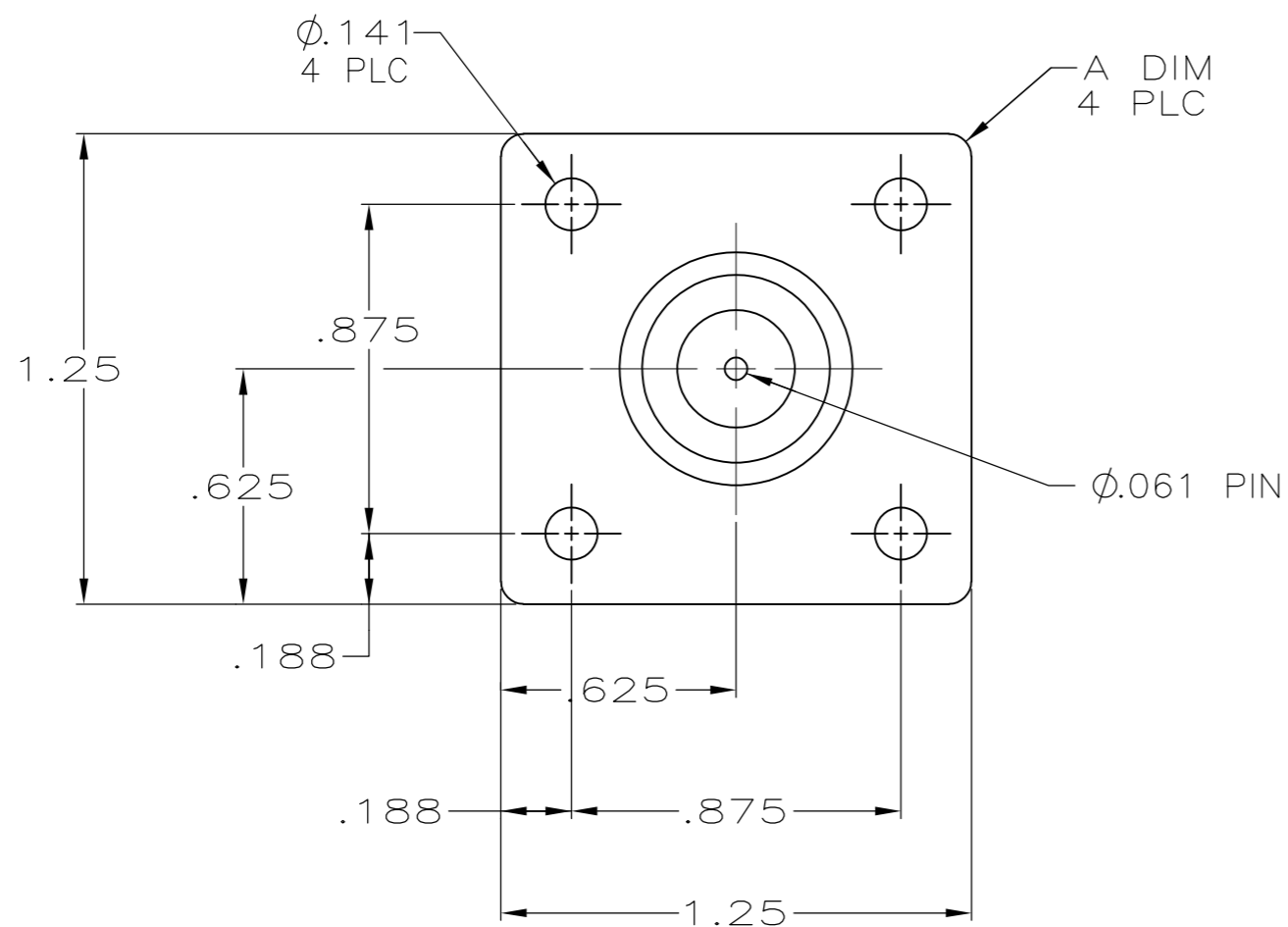
Email & Skype: info@chipsmall.com Web: www.chipsmall.com

Address: A1208, Overseas Decoration Building, #122 Zhenhua RD., Futian, Shenzhen, China



THIS DRAWING IS UNPUBLISHED. RELEASED FOR PUBLICATION
 © COPYRIGHT - By - ALL RIGHTS RESERVED.

LOC		DIST		REVISIONS			
P	LTR	DESCRIPTION		DATE	DWN	APVD	
J		REV PER ECO-12-009413		25MAY12	PY	DE	



1. RECEPTACLE TO MATE WITH AMP LGH-1. LEAD ASSEMBLY AVAILABLE SEPARATELY

\triangle PER FEDERAL STANDARD H-28 3 WIRE METHOD. DIMENSION OVER WIRES TO BE .497-.510

AMP PART NO & CUST PART NO	TIN	.12 X 45°	846793-5
AMP PART NO	GOLD	.03 R	846793-2
AMP PART NO	TIN	.03 R	846793-1
MARKING	PIN FINISH	A	PART NO.

THIS DRAWING IS A CONTROLLED DOCUMENT.		DWN	10NOV11	TE Connectivity	
DIMENSIONS: INCHES		P. YEAGER <td>10NOV11 <td colspan="2" rowspan="4"> </td> </td>	10NOV11 <td colspan="2" rowspan="4"> </td>		
TOLERANCES UNLESS OTHERWISE SPECIFIED:		CHK <td>10NOV11</td>	10NOV11		
		D. EABY <td>10NOV11</td>	10NOV11		
0 PLC ± - 1 PLC ± - 2 PLC ± .02 3 PLC ± .005 4 PLC ± - ANGLES ± -		APVD <td>10NOV11</td>	10NOV11		
MATERIAL: GLASS EPOXY (MOLDED)		FINISH: BLACK		NAME: RECEPTACLE ASSEMBLY, LGH-1, FEED-THROUGH	
WEIGHT: -		SCALE: 2:1		SIZE: A2	CAGE CODE: 00779
CUSTOMER DRAWING		DRAWING NO: 846793		RESTRICTED TO: -	REV: J