



Chipsmall Limited consists of a professional team with an average of over 10 year of expertise in the distribution of electronic components. Based in Hongkong, we have already established firm and mutual-benefit business relationships with customers from,Europe,America and south Asia,supplying obsolete and hard-to-find components to meet their specific needs.

With the principle of “Quality Parts,Customers Priority,Honest Operation,and Considerate Service”,our business mainly focus on the distribution of electronic components. Line cards we deal with include Microchip,ALPS,ROHM,Xilinx,Pulse,ON,Everlight and Freescale. Main products comprise IC,Modules,Potentiometer,IC Socket,Relay,Connector.Our parts cover such applications as commercial,industrial, and automotives areas.

We are looking forward to setting up business relationship with you and hope to provide you with the best service and solution. Let us make a better world for our industry!



Contact us

Tel: +86-755-8981 8866 Fax: +86-755-8427 6832

Email & Skype: info@chipsmall.com Web: www.chipsmall.com

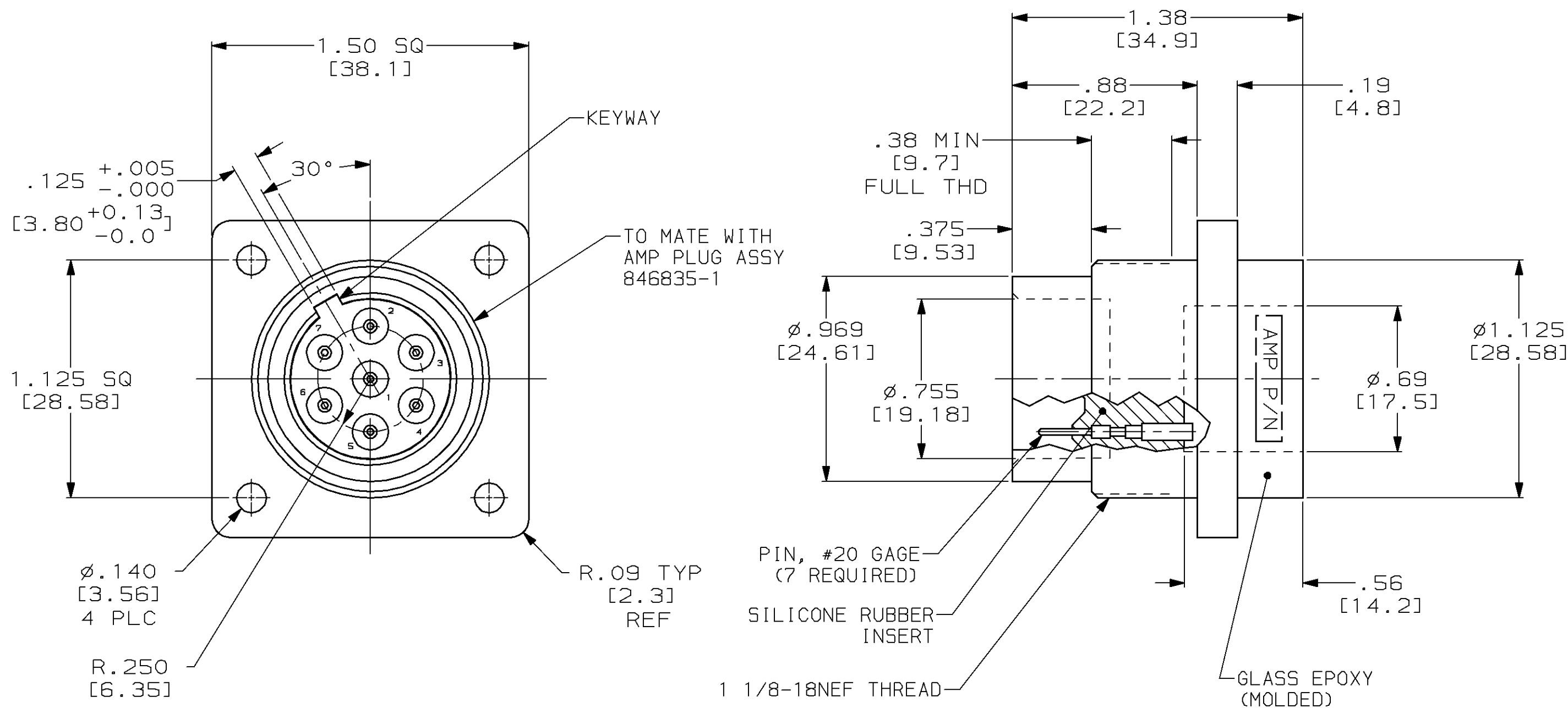
Address: A1208, Overseas Decoration Building, #122 Zhenhua RD., Futian, Shenzhen, China



THIS DRAWING IS UNPUBLISHED. RELEASED FOR PUBLICATION
 BY AMP INCORPORATED. ALL RIGHTS RESERVED.

LOC	DIST	REVISIONS					
DF	SO	P	LTR	DESCRIPTION	DATE	DWN	APVD
		K		REV PER 0600-6265-97	28MAY98	TT	SG

1. CUSTOMER TO ATTACH LEADS AND ENCAPSULATE AGAINST BREAKDOWN.
2. CONTACTS NO'S ARE MARKED ON RECEPTACLE.



846836-1
 PART NUMBER

THIS DRAWING IS A CONTROLLED DOCUMENT.		DWN T. THOMPSON 28MAY98	AMP Incorporated Harrisburg, PA 17105-3608
DIMENSIONS: IN/mm		CHK S. GLATFELTER 28MAY98	
		APVD S. GLATFELTER 28MAY98	
TOLERANCES UNLESS OTHERWISE SPECIFIED: 0 PLC ±- 1 PLC ±- 2 PLC ±.3 [7.6] 3 PLC ±.010 [0.25] 4 PLC ±- ANGLES ±0°30'		NAME S. GLATFELTER	
MATERIAL GLASS EPOXY		FINISH NATURAL	PRODUCT SPEC - APPLICATION SPEC - WEIGHT - CUSTOMER DRAWING
SIZE A2 00779			CAGE CODE 846836
SCALE 2:1			SHEET 1 OF 1
RESTRICTED TO -			REV K