



Chipsmall Limited consists of a professional team with an average of over 10 year of expertise in the distribution of electronic components. Based in Hongkong, we have already established firm and mutual-benefit business relationships with customers from,Europe,America and south Asia,supplying obsolete and hard-to-find components to meet their specific needs.

With the principle of “Quality Parts,Customers Priority,Honest Operation,and Considerate Service”,our business mainly focus on the distribution of electronic components. Line cards we deal with include Microchip,ALPS,ROHM,Xilinx,Pulse,ON,Everlight and Freescale. Main products comprise IC,Modules,Potentiometer,IC Socket,Relay,Connector.Our parts cover such applications as commercial,industrial, and automotives areas.

We are looking forward to setting up business relationship with you and hope to provide you with the best service and solution. Let us make a better world for our industry!



## Contact us

Tel: +86-755-8981 8866 Fax: +86-755-8427 6832

Email & Skype: info@chipsmall.com Web: www.chipsmall.com

Address: A1208, Overseas Decoration Building, #122 Zhenhua RD., Futian, Shenzhen, China



THIS DRAWING IS UNPUBLISHED.

RELEASED FOR PUBLICATION

,19 .

© COPYRIGHT 19

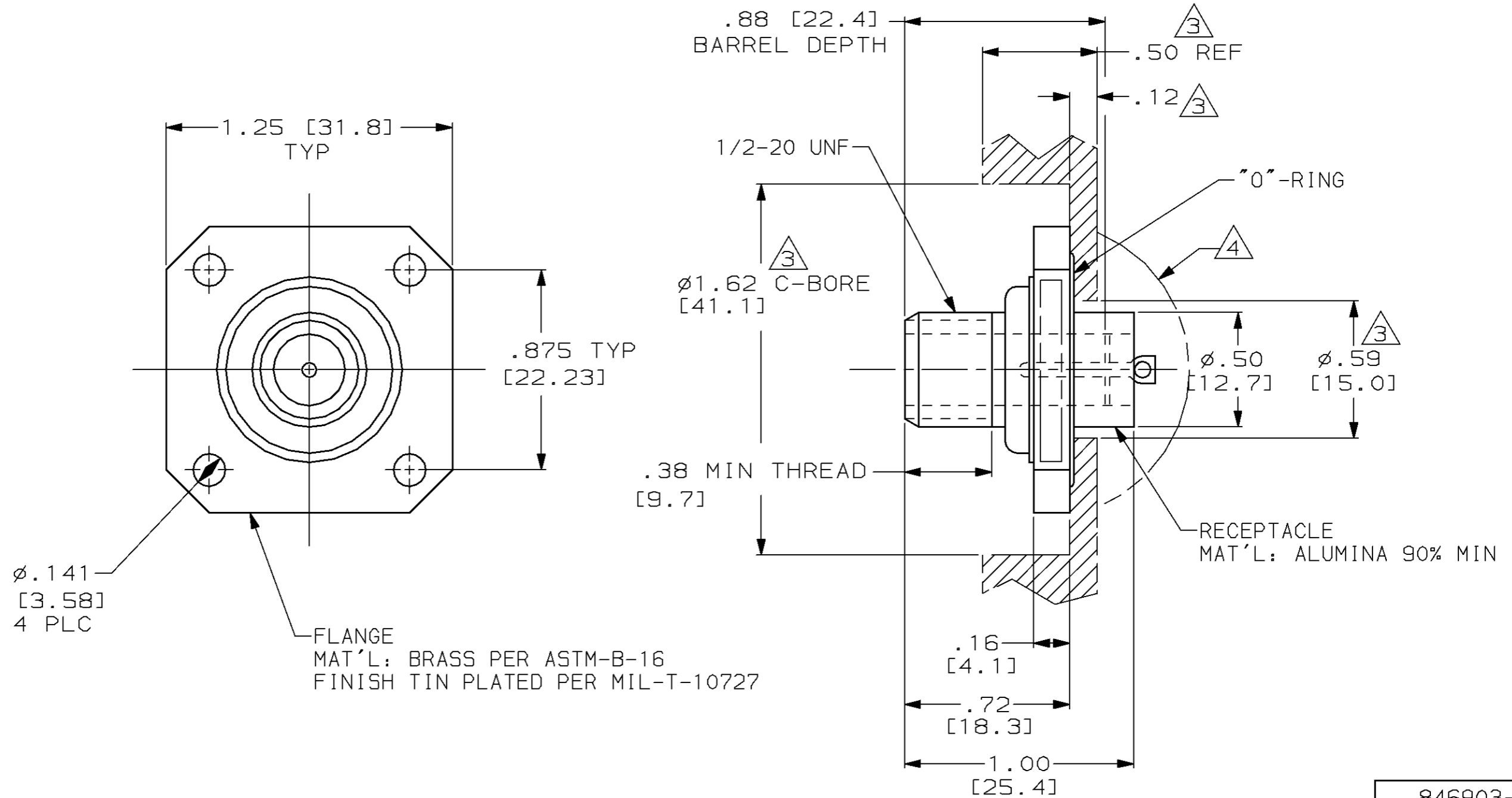
BY AMP INCORPORATED. ALL RIGHTS RESERVED.

LOC DF

DIST SO

REVISIONS

P	LTR	DESCRIPTION	DATE	DWN	APVD
	E	REV & REDRAWN; 0600-4612-95	6-96	CT	SG



1. RECEPTACLE TO MATE WITH AMP RFI SHIELDED LGH-1 LEAD ASSY.
2. MARKED PER MIL-STD-130.
3. CUSTOMER BULKHEAD MOUNTING DIMENSIONS.
4. CUSTOMER TO PROTECT THIS END AGAINST VOLTAGE BREAKDOWN.

846903-1  
PART NO.

THIS DRAWING IS A CONTROLLED DOCUMENT.		DWN C.C. THOMAS 6-14-96	<b>AMP</b> AMP Incorporated Harrisburg, PA 17105-3608
		CHK S. GLATFELTER 7-8-96	
		APVD S. GLATFELTER 7-8-96	NAME
		PRODUCT SPEC	FLANGED RECPTACLE ASSY, LGH-1
		APPLICATION SPEC	
		WEIGHT	SIZE A3 CAGE CODE 00779 DRAWING NO C-846903
		CUSTOMER DRAWING	SCALE 2:1 SHEET 1 OF 1 REV E

DIMENSIONS, INCHES [mm]	TOLERANCES UNLESS OTHERWISE SPECIFIED.
0 PLC	±-
1 PLC	±-
2 PLC	±.02 [0.5]
3 PLC	±.005 [0.13]
4 PLC	±-
ANGLES	±-
MATERIAL	FINISH