



Chipsmall Limited consists of a professional team with an average of over 10 year of expertise in the distribution of electronic components. Based in Hongkong, we have already established firm and mutual-benefit business relationships with customers from,Europe,America and south Asia,supplying obsolete and hard-to-find components to meet their specific needs.

With the principle of “Quality Parts,Customers Priority,Honest Operation,and Considerate Service”,our business mainly focus on the distribution of electronic components. Line cards we deal with include Microchip,ALPS,ROHM,Xilinx,Pulse,ON,Everlight and Freescale. Main products comprise IC,Modules,Potentiometer,IC Socket,Relay,Connector.Our parts cover such applications as commercial,industrial, and automotives areas.

We are looking forward to setting up business relationship with you and hope to provide you with the best service and solution. Let us make a better world for our industry!



Contact us

Tel: +86-755-8981 8866 Fax: +86-755-8427 6832

Email & Skype: info@chipsmall.com Web: www.chipsmall.com

Address: A1208, Overseas Decoration Building, #122 Zhenhua RD., Futian, Shenzhen, China



© COPYRIGHT 1978 BY AMP INCORPORATED, HARRISBURG, PA. ALL INTERNATIONAL RIGHTS RESERVED. AMP INCORPORATED PRODUCTS COVERED BY U. S. AND FOREIGN PATENTS AND OR PATENTS PENDING.

PART NO.	"I" DIM.	FIG. NO.	
346906-2	2.00"	I	
346906-3	30.00"	II	OBSOLETE
346906-4	30.00"	I	OBSOLETE

REVISIONS						
P	F	ZONE	LTR	DESCRIPTION	DATE	APPROVED
			E	REDRAWN	4-14-78	DS
			F	OBSOLETE -4 ECN 53650	3-3-87	ML
			G	OBSOLETE -3 ECN L1559	4-24-87	RS

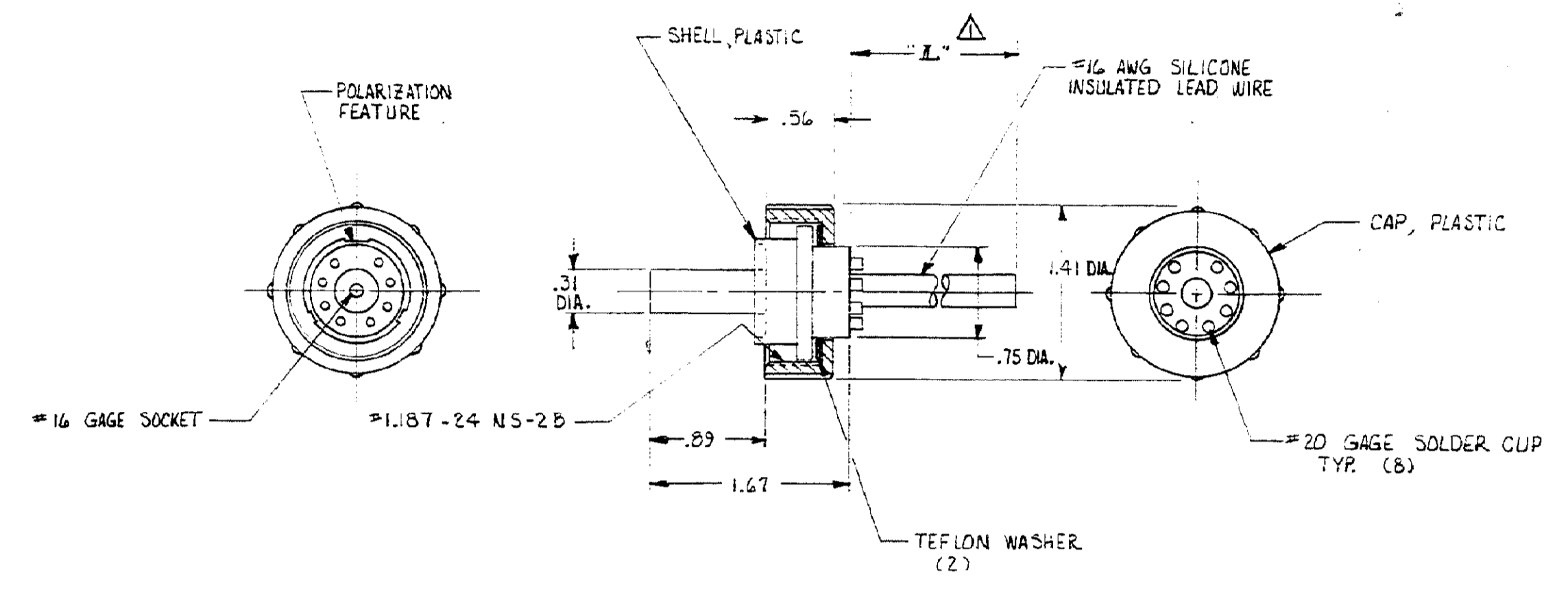


FIG. I

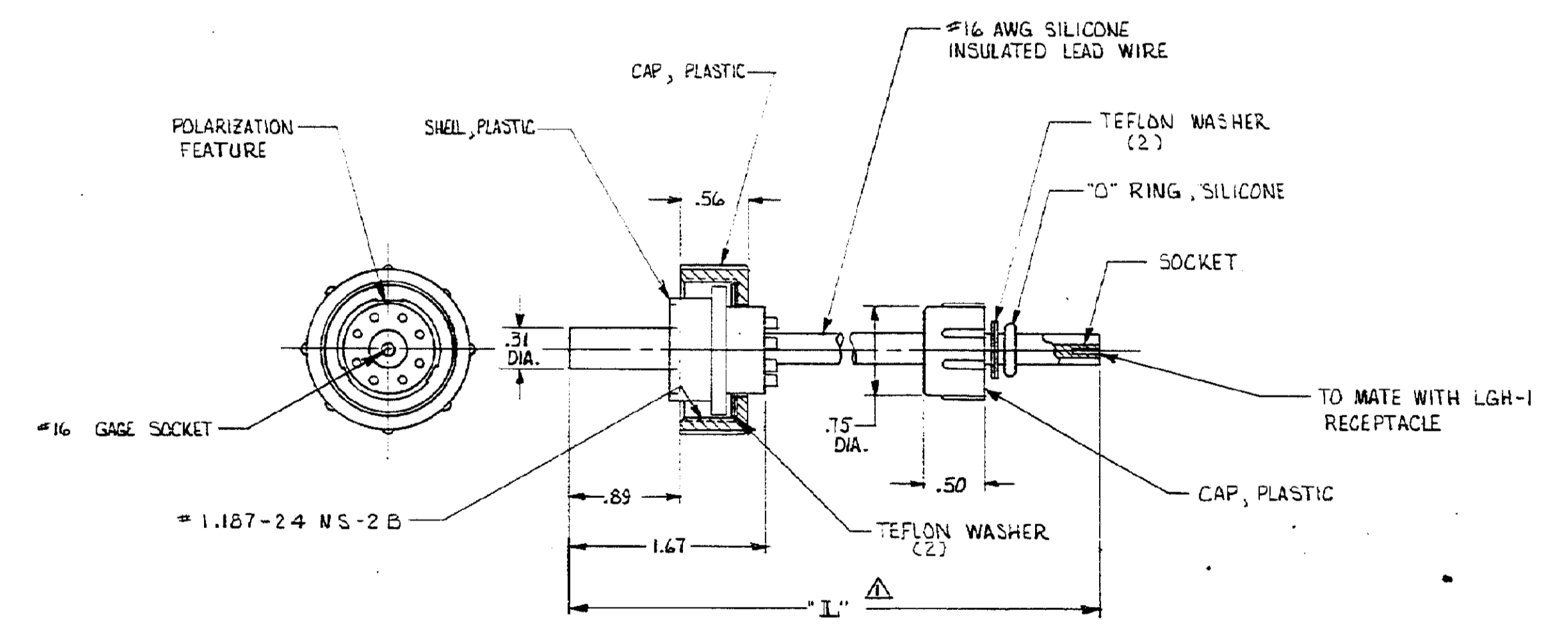


FIG. II

NOTE:
 1. TOLERANCE : UP TO 24" - ± .12
 24" & UP - ± 1%
 2. COLOR OF LEAD WIRE: WHITE UNLESS OTHERWISE SPECIFIED.

UNLESS OTHERWISE SPECIFIED DIMENSIONS ARE IN INCHES.		CONTRACT NO.		PART NO.	
TOLERANCES: .00 = .02, .000 = .005 ANGLES =		DR DICK STONE 4-14-78		AMP INCORPORATED Erie, Pa.	
MATERIAL		CHK		NAME MOLDED PLUG ASSEMBLY (AIR SIDE)	
FINISH		APPD <i>M. Anderson</i> 4/15/78		LGH	
846805-4 846805-2		DSGN APPD		SIZE CODE IDENT NO DRAWING NO	
NEXT ASSY		OTHER APPD		D 00779 346906	
QTY REQD		APPLICATION		SCALE 1:1 SHEET 1 OF 1	