



Chipsmall Limited consists of a professional team with an average of over 10 year of expertise in the distribution of electronic components. Based in Hongkong, we have already established firm and mutual-benefit business relationships with customers from,Europe,America and south Asia,supplying obsolete and hard-to-find components to meet their specific needs.

With the principle of "Quality Parts,Customers Priority,Honest Operation,and Considerate Service",our business mainly focus on the distribution of electronic components. Line cards we deal with include Microchip,ALPS,ROHM,Xilinx,Pulse,ON,Everlight and Freescale. Main products comprise IC,Modules,Potentiometer,IC Socket,Relay,Connector.Our parts cover such applications as commercial,industrial, and automotives areas.

We are looking forward to setting up business relationship with you and hope to provide you with the best service and solution. Let us make a better world for our industry!



## Contact us

Tel: +86-755-8981 8866 Fax: +86-755-8427 6832

Email & Skype: info@chipsmall.com Web: www.chipsmall.com

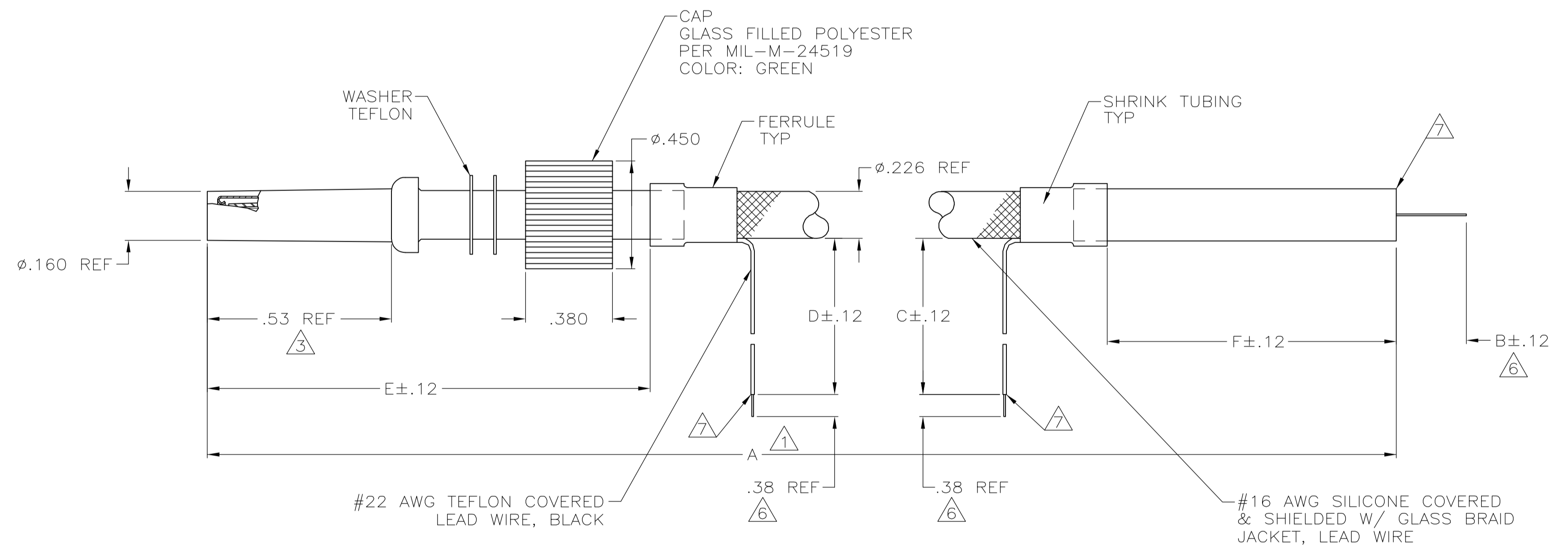
Address: A1208, Overseas Decoration Building, #122 Zhenhua RD., Futian, Shenzhen, China



AMP P/N	A	B	C	D	E	F	REMARKS
846985-1	24.00	.38	6.00	6.00	1.25	2.00	△ OBSOLETE
846985-2	15.00	.38	8.00	8.00	1.25	2.00	△
846985-3	8.00	.38	8.00	8.00	1.25	2.00	△ OBSOLETE
846985-4	16.00	.38	8.00	8.00	1.50	1.50	△ OBSOLETE
846985-5	11.00	.38	12.00	-	1.50	1.50	△ OBSOLETE
846985-6	11.00	.38	12.00	12.00	1.50	1.50	△ OBSOLETE
846985-7	12.00	.38	6.00	6.00	1.25	2.00	△
846985-8	9.00	.38	8.00	8.00	1.50	2.00	△
846985-9	12.00	.38	6.00	-	1.50	2.00	△
1-846985-0	12.00	.38	12.00	12.00	1.50	1.00	△
1-846985-1	39.37	.38	3.94	3.94	1.97	1.97	△ OBSOLETE
1-846985-2	12.00	.38	12.00	12.00	1.50	2.25	△
1-846985-3	8.00	.38	8.00	8.00	1.25	1.50	△ OBSOLETE
1-846985-4	8.00	.38	10.00	-	1.25	1.40	△ OBSOLETE
1-846985-5	192.00	.38	12.00	-	2.00	2.00	△ OBSOLETE
1-846985-6	120.00	.38	8.00	8.00	1.25	2.00	△ OBSOLETE
1-846985-7	72.00	.38	-	6.00	1.50	2.00	△
1-846985-8	36.00	.38	12.00	-	1.50	2.00	△
1-846985-9	22.00	.38	10.00	10.00	1.50	1.00	△
2-846985-0	11.80	.38	12.00	12.00	1.50	1.00	△ OBSOLETE
2-846985-1	6.75	.38	3.00	-	1.06	.44	△ OBSOLETE
2-846985-2	18.00	.38	6.00	-	1.50	1.50	△
2-846985-3	24.00	.38	6.00	-	1.50	1.50	△
2-846985-4	30.00	.38	-	6.00	1.50	1.50	△ OBSOLETE
2-846985-5	20.22	.38	-	4.00	8.00	4.00	△ OBSOLETE
2-846985-6	21.00	.38	10.00	10.00	1.50	1.00	△ OBSOLETE
2-846985-7	60.00	.38	8.00	8.00	1.25	2.00	△
2-846985-8	49.00	.38	-	12.00	1.50	2.00	△
2-846985-9	180.00	.38	8.00	8.00	1.25	2.00	△ OBSOLETE
3-846985-0	6.50	.38	8.00	8.00	1.50	2.00	△ OBSOLETE
3-846985-1	9.50	.38	8.00	8.00	1.50	2.00	△ OBSOLETE
3-846985-2	66.00	.38	12.00	12.00	1.50	2.00	△ OBSOLETE
3-846985-3	108.00	.38	12.00	12.00	1.50	2.00	△ OBSOLETE
3-846985-4	12.00	.38	-	6.00	1.50	2.00	△
3-846985-5	7.50	.38	-	6.00	1.50	2.00	△
3-846985-6	13.50	.38	-	8.00	1.25	2.00	△
3-846985-7	7.50	.38	-	8.00	1.25	2.00	△
3-846985-8	96.00	.38	-	12.00	1.50	2.00	△
3-846985-9	12.00	.38	6.00	6.00	1.50	2.00	△
5-846985-9	12.00	.38	6.00	-	1.50	2.00	△
7-846985-8	49.00	.38	-	12.00	1.50	2.00	△

LOC	DIST	REVISIONS				
DF	SO	REV	DESCRIPTION	DATE	BY	APP'D
		AD	REV PER ECO-05-014991	31JAN06	PY	DE

- △ TOLERANCE: UP TO 24" = ±.12  
24" & UP = ±1%
- 2. COLOR OF LEAD WIRE WHITE.
- △ TO MATE WITH AMP LGH-1/2 RECEPTACLE WITH .53 BARREL DEPTH.
- 4. MARK PER MIL-STD-130.
- △ BOTH GND LEADS INCLUDE RING TONGUE TERMINAL.
- △ PIGTAIL IS SOLDER DIPPED.
- △ INSULATION CUT, BUT NOT REMOVED.



THIS DRAWING IS A CONTROLLED DOCUMENT.		DWN T. THOMPSON 25-AUG-93	 Tyco Electronics Corporation Harrisburg, Pa 17105-3608
DIMENSIONS: INCHES		CHK D. FARY 24-SEP-93	
TOLERANCES UNLESS OTHERWISE SPECIFIED:		APP'D D. FARY 24-SEP-93	NAME LEAD ASSY, SHIELDED W/GLASS BRAID JACKET LGH-1/2
0 PLC ± - 1 PLC ± - 2 PLC ± .03 3 PLC ± .010 4 PLC ± - ANGLES ± -		APPROVALS	PRODUCT SPEC
MATERIAL		SIZE A1	APPLICATION SPEC
FINISH		WEIGHT	RESTRICTED TO
		CAGE CODE 00779	DRAWING NO 846985
		CUSTOMER DRAWING	SCALE 4:1 SHEET 1 OF 1 REV AD