



Chipsmall Limited consists of a professional team with an average of over 10 year of expertise in the distribution of electronic components. Based in Hongkong, we have already established firm and mutual-benefit business relationships with customers from,Europe,America and south Asia,supplying obsolete and hard-to-find components to meet their specific needs.

With the principle of "Quality Parts,Customers Priority,Honest Operation,and Considerate Service",our business mainly focus on the distribution of electronic components. Line cards we deal with include Microchip,ALPS,ROHM,Xilinx,Pulse,ON,Everlight and Freescale. Main products comprise IC,Modules,Potentiometer,IC Socket,Relay,Connector.Our parts cover such applications as commercial,industrial, and automotives areas.

We are looking forward to setting up business relationship with you and hope to provide you with the best service and solution. Let us make a better world for our industry!



Contact us

Tel: +86-755-8981 8866 Fax: +86-755-8427 6832

Email & Skype: info@chipsmall.com Web: www.chipsmall.com

Address: A1208, Overseas Decoration Building, #122 Zhenhua RD., Futian, Shenzhen, China



10 9 8 7 6 5 4 3 2 1

F

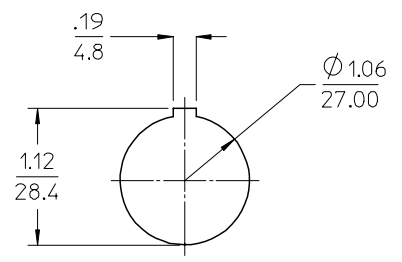
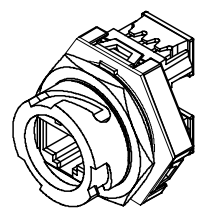
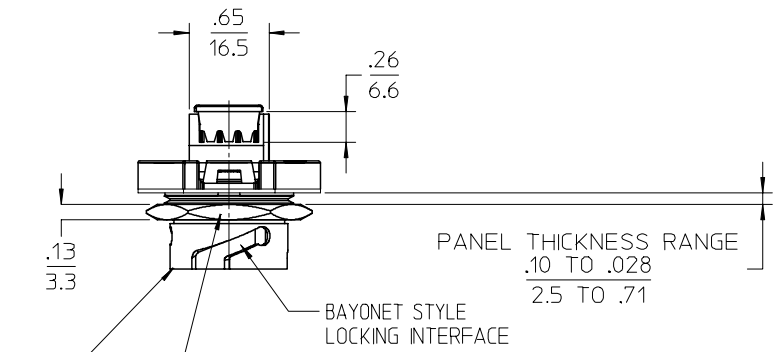
E

D

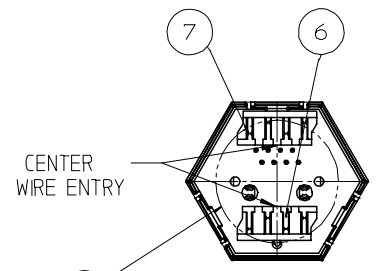
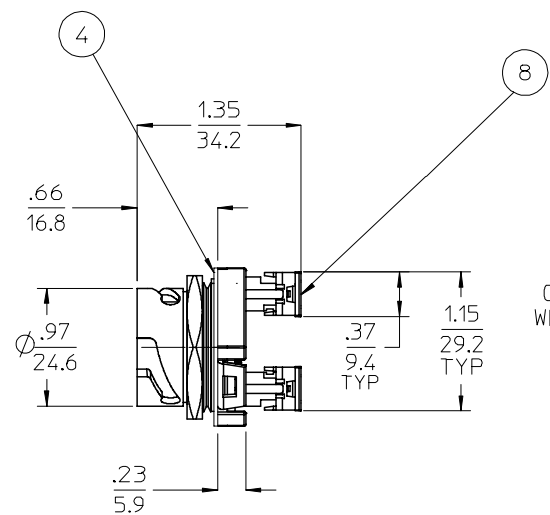
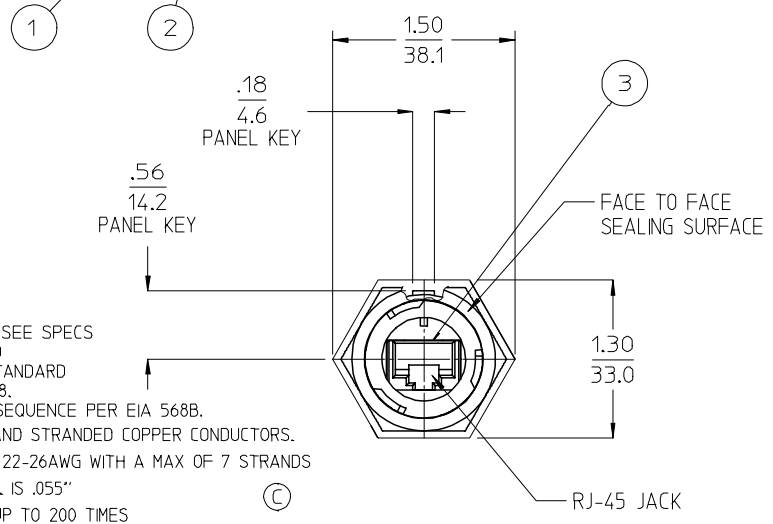
C

B

A



KNOCK OUT SIZE



- REAR -
STUFFER CAP
REMOVED FOR CLARITY

NOTES:

1. MATERIAL: SEE TABLE
2. FINISHES: SEE TABLE
3. PRODUCT SPECIFICATION: SEE SPECS
4. PACKAGING: AS REQUIRED
5. MATES WITH: INDUSTRY STANDARD
6. FORMERLY SD-84702-0008.
7. WIRING POLARIZATION & SEQUENCE PER EIA 568B.
8. COMPATIBLE WITH SOLID AND STRANDED COPPER CONDUCTORS.
9. CONDUCTOR RANGES ARE 22-26AWG WITH A MAX OF 7 STRANDS PER BUNDLE. LIMITING O.D. IS .055"
10. CAN BE RETERMINATED UP TO 200 TIMES

9	A/R	POTTING COMPOUND (NOT SHOWN)	EPOXY	BLACK
8	2	STUFFER CAP (MPN #201-345)	THERMOPLASTIC	WHITE
7	1	PUNCHDOWN BLOCK	THERMOPLASTIC	WHITE
6	1	PUNCHDOWN BLOCK	THERMOPLASTIC	WHITE
5	1	PCB	FR-4	GREEN
4	1	PANEL GASKET	NEOPRENE	BLACK
3	1	RJ-45 JACK W/PCB MTG	POLYESTER	BLACK
2	1	LOCK NUT	POLYESTER	BLACK
1	1	RECEPTACLE HOUSING	POYESTER	BLACK
ITEM	QTY.	DESCRIPTION	MATERIAL	FINISH

ADDED NOTES 8.9.10	QUALITY SYMBOLS
EC NO: ETC2006-0133	▽=0
DRWN:SRADLEY 2005/12/17	▽=0
CHKD:RSTONE 2005/12/19	
APPR:RDEROSS 2005/12/16	
DESCRIPTION	
REV	

GENERAL TOLERANCES (UNLESS SPECIFIED)
4 PLACES ± --- ± ---
3 PLACES ± --- ± .005
2 PLACES ± 0.13 ± .01
1 PLACE ± 0.13 ± ---
ANGULAR ± 2 °
DRAFT WHERE APPLICABLE MUST REMAIN WITHIN DIMENSIONS

DIMENSION STYLE IN/MM	
DRAWN BY S. GILBERT	DATE 03/07/30
CHECKED BY P. WAITZ	DATE 03/11/20
APPROVED BY GHR	DATE 04/03/08
MATERIAL NO. 847020008	DOCUMENT NO. SD-84702-005
SIZE B	THIS DRAWING CONTAINS INFORMATION THAT IS PROPRIETARY TO MOLEX INCORPORATED AND SHOULD NOT BE USED WITHOUT WRITTEN PERMISSION

SCALE 4:1	DESIGN UNITS INCH	THIRD ANGLE PROJECTION
TITLE PANEL MTG. RECEPTACLE RJ-45 PUNCHDOWN CIC FULLY POTTED ETHERNET		
MOLEX INCORPORATED		
SHEET NO. 1 OF 1		

9 8 7 6 5 4 3 2 1