



Chipsmall Limited consists of a professional team with an average of over 10 year of expertise in the distribution of electronic components. Based in Hongkong, we have already established firm and mutual-benefit business relationships with customers from,Europe,America and south Asia,supplying obsolete and hard-to-find components to meet their specific needs.

With the principle of “Quality Parts,Customers Priority,Honest Operation,and Considerate Service”,our business mainly focus on the distribution of electronic components. Line cards we deal with include Microchip,ALPS,ROHM,Xilinx,Pulse,ON,Everlight and Freescale. Main products comprise IC,Modules,Potentiometer,IC Socket,Relay,Connector.Our parts cover such applications as commercial,industrial, and automotives areas.

We are looking forward to setting up business relationship with you and hope to provide you with the best service and solution. Let us make a better world for our industry!



## Contact us

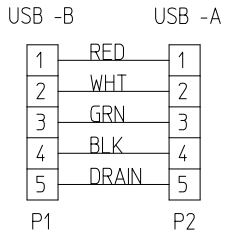
Tel: +86-755-8981 8866 Fax: +86-755-8427 6832

Email & Skype: info@chipsmall.com Web: www.chipsmall.com

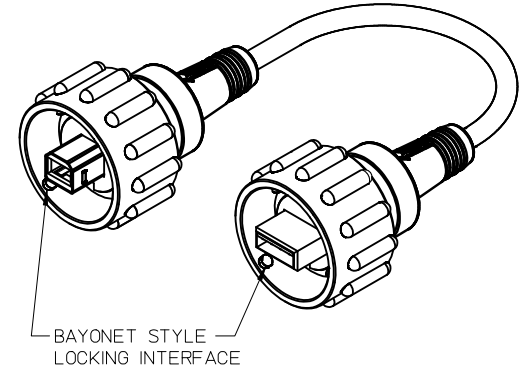
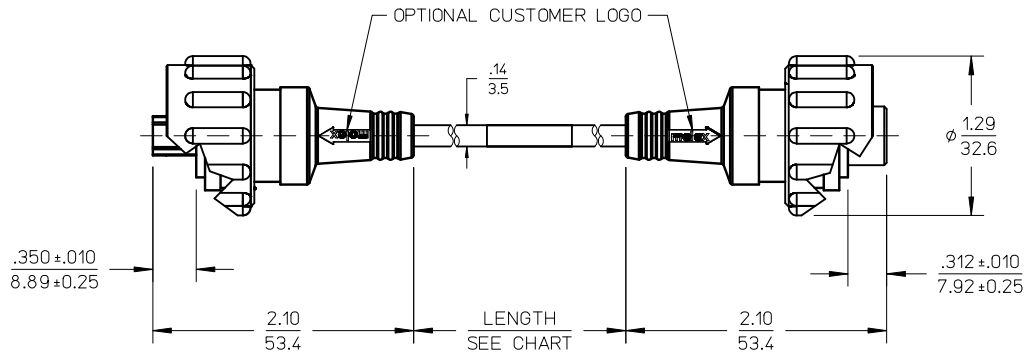
Address: A1208, Overseas Decoration Building, #122 Zhenhua RD., Futian, Shenzhen, China



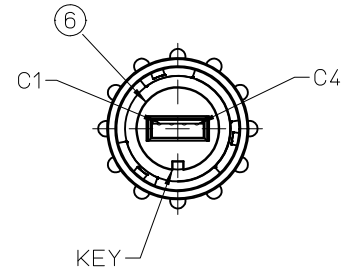
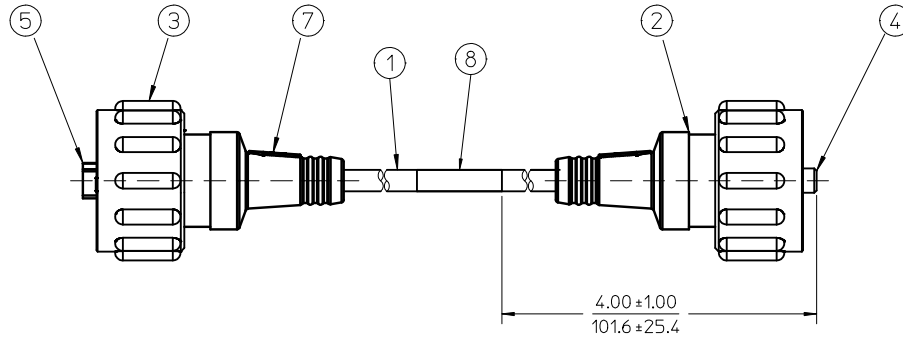
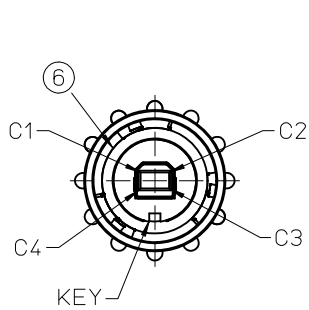
PART NO.	LENGTH
847320001	0.8M (31.50") +1.0"/-0.0"
847320002	1.5M (59.06") +1.5"/-0.0"
847320003	2.0M (78.74") +1.5"/-0.0"
847320004	3.0M (118.11") +1.5"/-0.0"
847320005	5.0M (196.85") +2.0"/-0.0"



WIRING DIAGRAM



BAYONET STYLE LOCKING INTERFACE



NOTES: UNLESS OTHERWISE SPECIFIED

1. MATERIAL: SEE TABLE.
2. FINISH: SEE TABLE.
3. PRODUCT SPECIFICATION: SEE SPECIFICATION.
4. PACKAGING: AS REQUIRED.
5. MATES WITH BAYONET STYLE USB A & B BAYONET LOCKING RECEPTACLES.
6. ASSEMBLY IS RoHS COMPLIANT.

8	1	WRAP LABEL	PLASTIC FILM	BLACK/YELLOW
7	2	OVERMOLD	PVC	BLACK
6	2	GASKET SEAL	NITRILE	BLACK
5	1	USB TYPE -B SHIELDED PLUG	-	-
4	1	USB TYPE -A SHIELDED PLUG	-	-
3	2	COUPLING RING	POLYESTER	BLACK
2	2	HOLDERS USB A-B	POLYESTER	BLACK
1	1	CABLE 4/C, 28AWG, SHIELD/DRAIN USB	-	BLACK
ITEM	QTY.	DESCRIPTION	MATERIAL NO.	FINISH

ADD WRAP LABEL EC NO: WNA2010-0206 DRAWN:YOU 2009/10/19 CHKDR:STONE 2009/12/15 APPR:JFURPHY 2009/12/15	QUALITY SYMBOLS
	▼=0 ▽=0
	DESCRIPTION
	REV

GENERAL TOLERANCES (UNLESS SPECIFIED)															
<table border="1"> <thead> <tr> <th></th> <th>mm</th> <th>INCH</th> </tr> </thead> <tbody> <tr> <td>4 PLACES</td> <td>± ---</td> <td>± ---</td> </tr> <tr> <td>3 PLACES</td> <td>± ---</td> <td>± .005</td> </tr> <tr> <td>2 PLACES</td> <td>± 0.13</td> <td>± .01</td> </tr> <tr> <td>1 PLACE</td> <td>± 0.3</td> <td>± ---</td> </tr> </tbody> </table>		mm	INCH	4 PLACES	± ---	± ---	3 PLACES	± ---	± .005	2 PLACES	± 0.13	± .01	1 PLACE	± 0.3	± ---
	mm	INCH													
4 PLACES	± ---	± ---													
3 PLACES	± ---	± .005													
2 PLACES	± 0.13	± .01													
1 PLACE	± 0.3	± ---													
ANGULAR ± 2 °															
DRAFT WHERE APPLICABLE MUST REMAIN WITHIN DIMENSIONS															

DIMENSION STYLE	IN/MM
DRAWN BY	S.GILBERT
DATE	11-30-04
CHECKED BY	
DATE	
APPROVED BY	JFMURPHY
DATE	2009/12/15
MATERIAL NO.	

SCALE	1:1
DESIGN UNITS	INCH
THIRD ANGLE PROJECTION	
TITLE	USB DUAL PLUG TYPE A & B COUPLER SHIELDED CABLE CIC, DE EXT CORD
MOLEX INCORPORATED	
DOCUMENT NO.	SD-84732-001
SHEET NO.	1 OF 1

THIS DRAWING CONTAINS INFORMATION THAT IS PROPRIETARY TO MOLEX INCORPORATED AND SHOULD NOT BE USED WITHOUT WRITTEN PERMISSION