



Chipsmall Limited consists of a professional team with an average of over 10 year of expertise in the distribution of electronic components. Based in Hongkong, we have already established firm and mutual-benefit business relationships with customers from,Europe,America and south Asia,supplying obsolete and hard-to-find components to meet their specific needs.

With the principle of “Quality Parts,Customers Priority,Honest Operation,and Considerate Service”,our business mainly focus on the distribution of electronic components. Line cards we deal with include Microchip,ALPS,ROHM,Xilinx,Pulse,ON,Everlight and Freescale. Main products comprise IC,Modules,Potentiometer,IC Socket,Relay,Connector.Our parts cover such applications as commercial,industrial, and automotives areas.

We are looking forward to setting up business relationship with you and hope to provide you with the best service and solution. Let us make a better world for our industry!



Contact us

Tel: +86-755-8981 8866 Fax: +86-755-8427 6832

Email & Skype: info@chipsmall.com Web: www.chipsmall.com

Address: A1208, Overseas Decoration Building, #122 Zhenhua RD., Futian, Shenzhen, China





Shaft Clamping Hub 8mm-C

SKU: 84743 Weight: 14.00 Gram

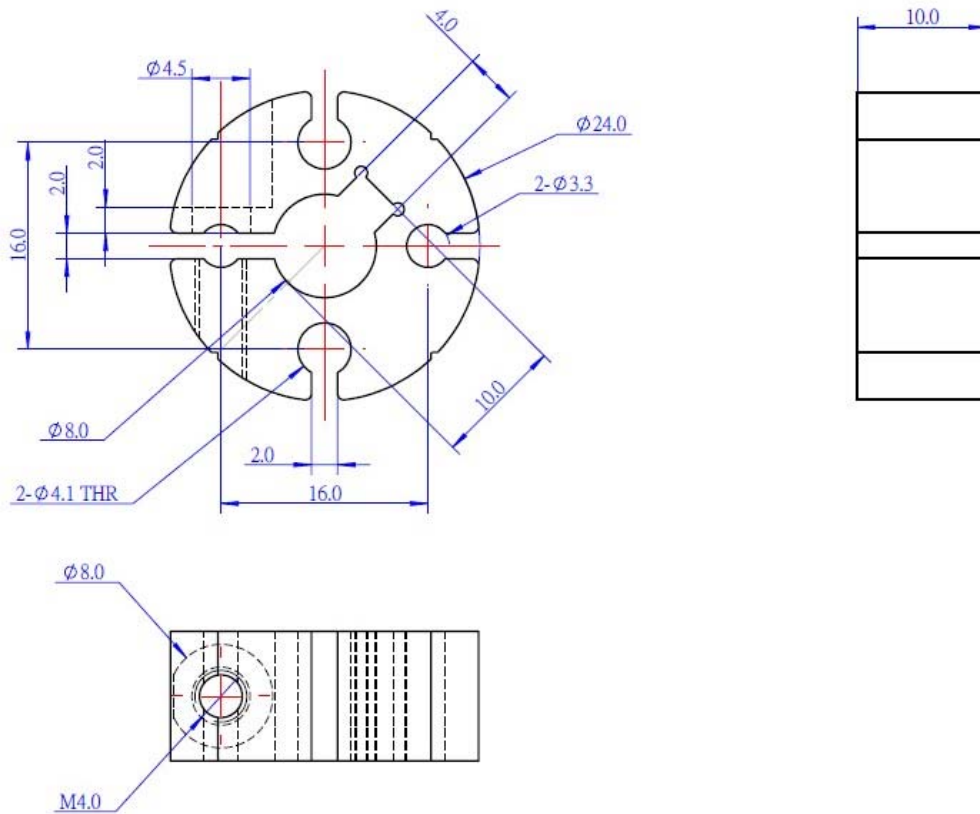
What Is Shaft Clamping Hub?

This shaft clamping hub is designed to use together with the 36mm encoder DC motor. Driven by the encoder motors, this hub sends the power to the executive device (e.g. wheel). It comes with one 4mm threaded hole and two 4mm holes, allowing you to connect with encoder motors easily.

Features

- ? Suitable for connecting with 8mm shaft;
- ? Compatible with encoder motor shaft;
- ? Comes with two hexagon socket button head screws and one S hexagon socket cap screws.

Size Chart (mm):



Specifications

SKU	84743
Product Name	Shaft Clamping Hub 8mm-C
Weight	14 grams
Package Content (Quantity x Part Name)	1 x Shaft Clamping Hub 8mm-C 2 x screw M4*14 (Hexagon socket button head screws) 1 x screw M4*14 (Hexagon socket cap screws)