



Chipsmall Limited consists of a professional team with an average of over 10 year of expertise in the distribution of electronic components. Based in Hongkong, we have already established firm and mutual-benefit business relationships with customers from,Europe,America and south Asia,supplying obsolete and hard-to-find components to meet their specific needs.

With the principle of “Quality Parts,Customers Priority,Honest Operation,and Considerate Service”,our business mainly focus on the distribution of electronic components. Line cards we deal with include Microchip,ALPS,ROHM,Xilinx,Pulse,ON,Everlight and Freescale. Main products comprise IC,Modules,Potentiometer,IC Socket,Relay,Connector.Our parts cover such applications as commercial,industrial, and automotives areas.

We are looking forward to setting up business relationship with you and hope to provide you with the best service and solution. Let us make a better world for our industry!



Contact us

Tel: +86-755-8981 8866 Fax: +86-755-8427 6832

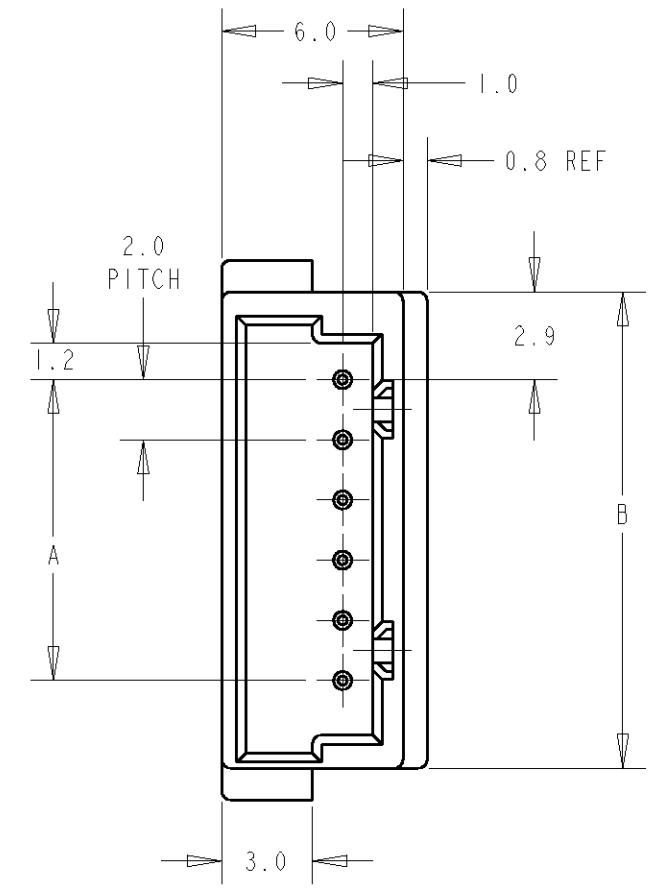
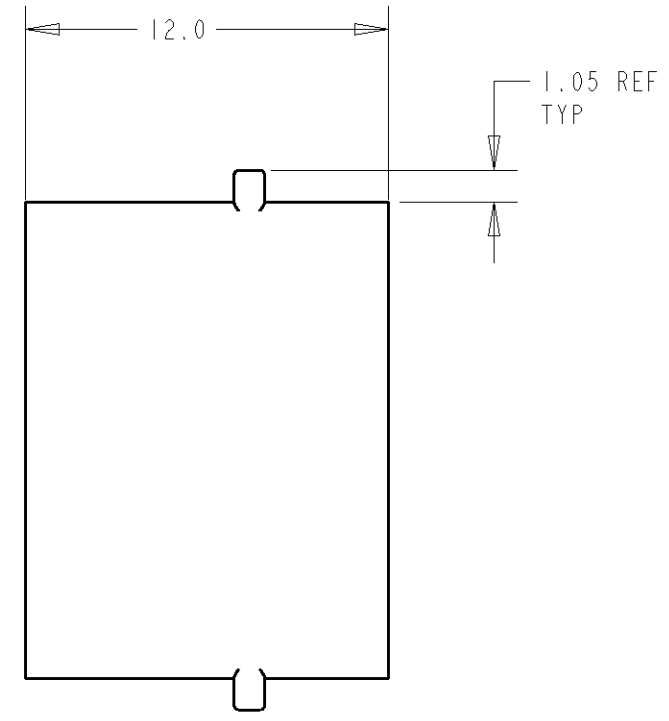
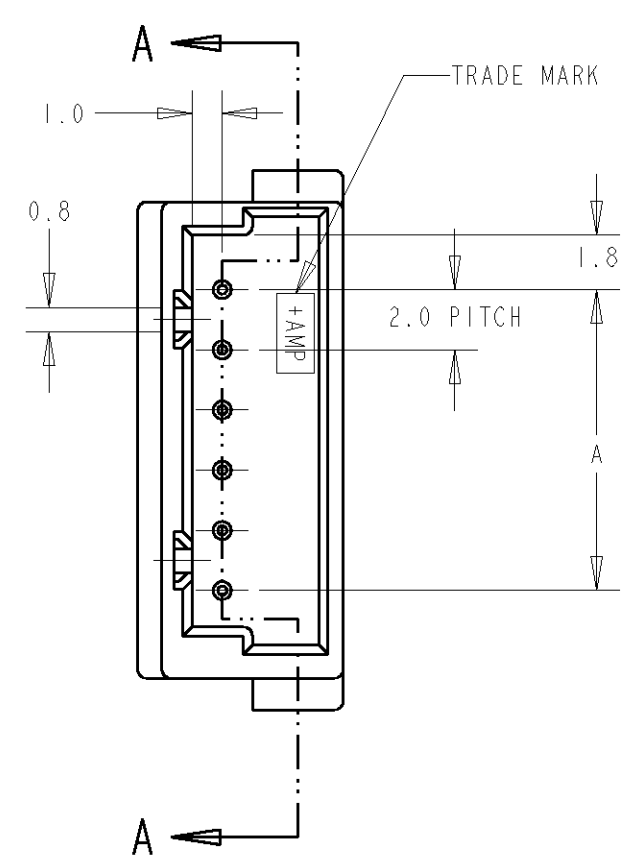
Email & Skype: info@chipsmall.com Web: www.chipsmall.com

Address: A1208, Overseas Decoration Building, #122 Zhenhua RD., Futian, Shenzhen, China

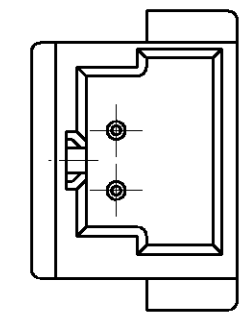
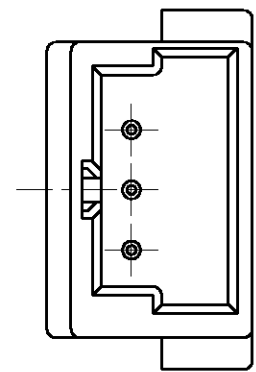
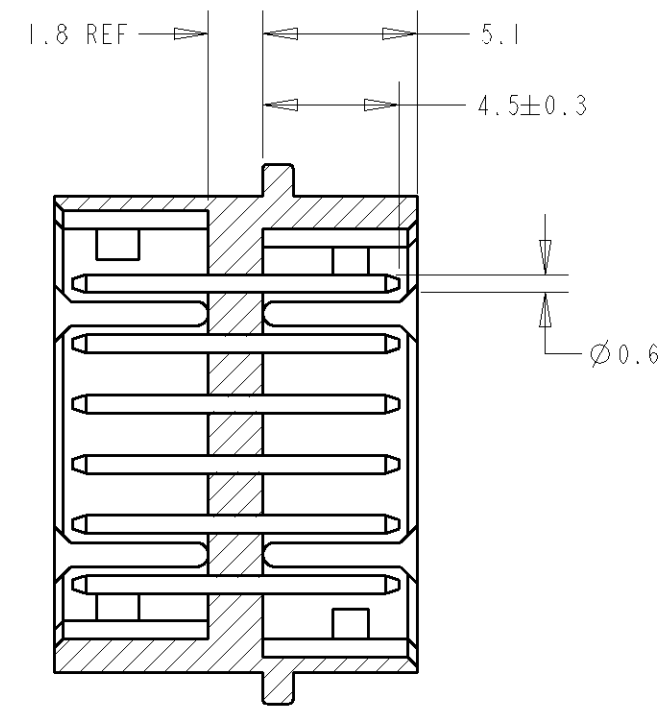


THIS DRAWING IS UNPUBLISHED. RELEASED FOR PUBLICATION .19 .
 © COPYRIGHT 19 BY AMP INCORPORATED. ALL RIGHTS RESERVED.

LOC	DIST	REVISIONS			
P	LTR	DESCRIPTION	DATE	DWN	APVD
DY	-	A	REVISED FP00-0411-02	13DEC2002	LWY TLP



NOTES:
 MATERIAL:
 HOUSING - 66 NYLON (UL94V-0),
 COLOUR - NATURAL
 POST - BRASS, GOLD PLATED



15.8	10.0	6	84814-6
11.8	6.0	4	84814-4
9.8	4.0	3	84814-3
7.8	2.0	2	84814-2
B	A	POS.	PART NO.

THIS DRAWING IS A CONTROLLED DOCUMENT FOR AMP INCORPORATED. IT IS SUBJECT TO CHANGE AND THE CONTROLLING ENGINEERING ORGANIZATION SHOULD BE CONTACTED FOR THE LATEST REVISION.		DWN WYLEE 19OCT01	AMP AMP MANUFACTURING (SINGAPORE) PTE. LTD.
DIMENSIONS: mm		CHK LP TAN	
TOLERANCES UNLESS OTHERWISE SPECIFIED: 0 PLC ±0.2 1 PLC ±0.25 2 PLC ±0.3 3 PLC ±0.3 4 PLC ±0.3 ANGLES ±3°		APVD WI CHOO	NAME FREE HANGING TYPE RELAY POST HEADER ASS'Y, GOLD PLATED (AMP CT CONNECTOR 2mm PITCH)
MATERIAL		PRODUCT SPEC 108-5218	SIZE A3
FINISH		APPLICATION SPEC -	CAGE CODE 00779
-		WEIGHT -	DRAWING NO 84814
CUSTOMER DRAWING			SCALE 4:1 SHEET 1 OF 1 REV A

SECTION A-A