



Chipsmall Limited consists of a professional team with an average of over 10 year of expertise in the distribution of electronic components. Based in Hongkong, we have already established firm and mutual-benefit business relationships with customers from,Europe,America and south Asia,supplying obsolete and hard-to-find components to meet their specific needs.

With the principle of “Quality Parts,Customers Priority,Honest Operation,and Considerate Service”,our business mainly focus on the distribution of electronic components. Line cards we deal with include Microchip,ALPS,ROHM,Xilinx,Pulse,ON,Everlight and Freescale. Main products comprise IC,Modules,Potentiometer,IC Socket,Relay,Connector.Our parts cover such applications as commercial,industrial, and automotives areas.

We are looking forward to setting up business relationship with you and hope to provide you with the best service and solution. Let us make a better world for our industry!



Contact us

Tel: +86-755-8981 8866 Fax: +86-755-8427 6832

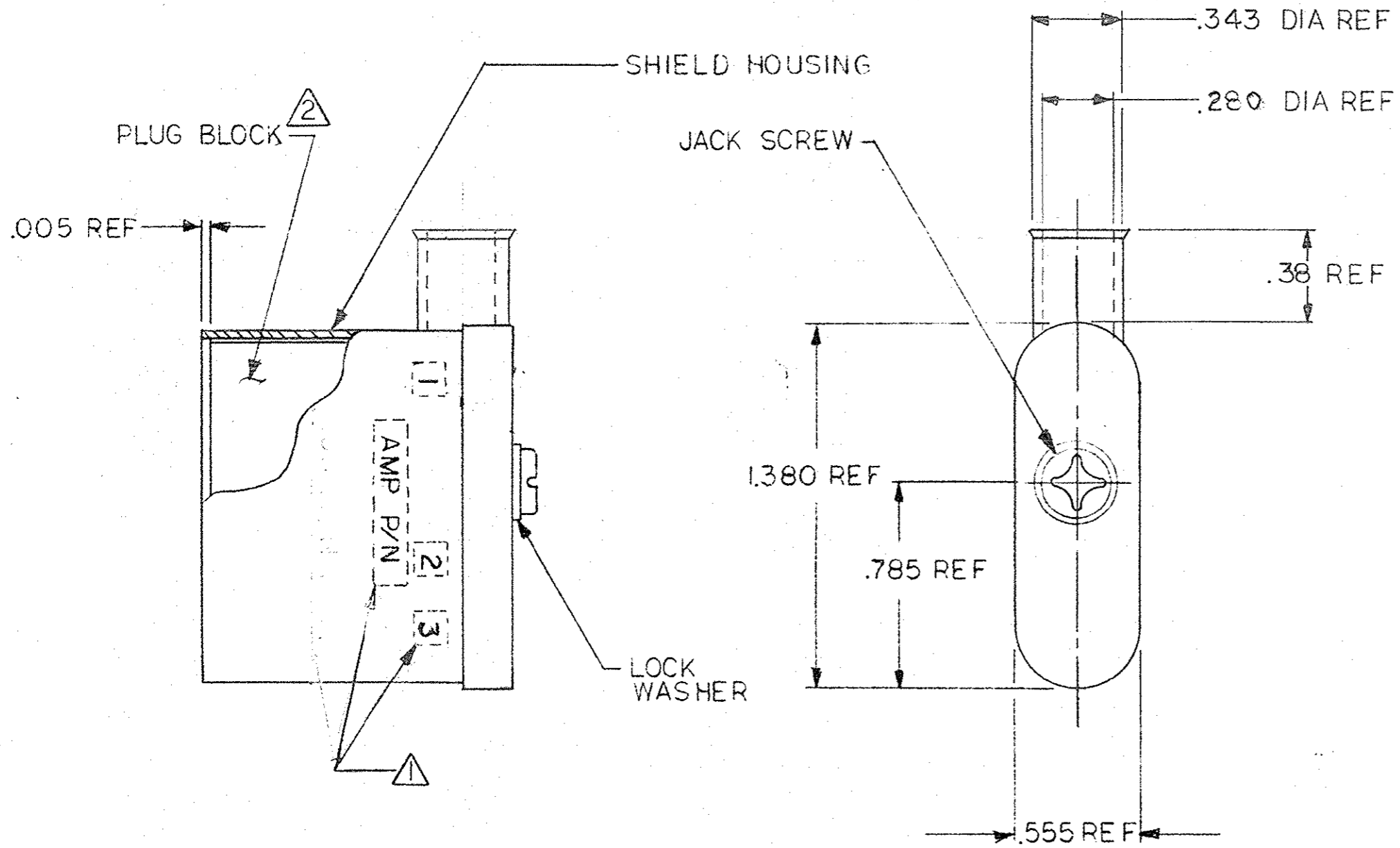
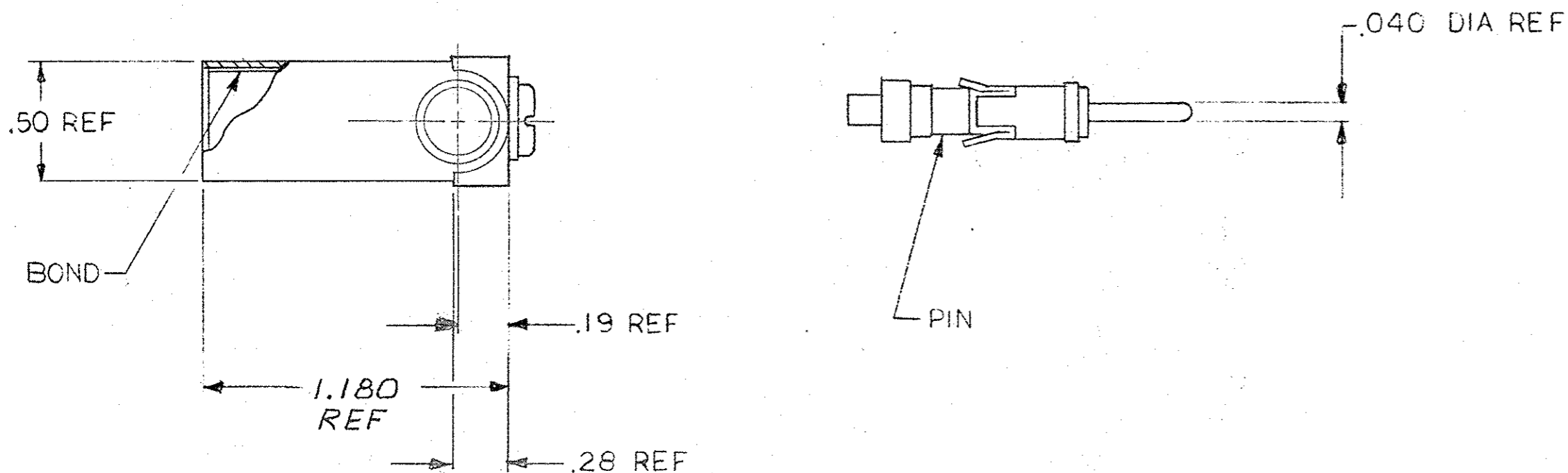
Email & Skype: info@chipsmall.com Web: www.chipsmall.com

Address: A1208, Overseas Decoration Building, #122 Zhenhua RD., Futian, Shenzhen, China



THIS DRAWING IS UNPUBLISHED. RELEASED FOR PUBLICATION, 19
 © COPYRIGHT 19 BY AMP INCORPORATED, HARRISBURG, PA. ALL INTERNATIONAL RIGHTS RESERVED. AMP PRODUCTS MAY BE COVERED BY U.S. AND FOREIGN PATENTS AND/OR PATENTS PENDING.

REVISIONS						
P	F	ZONE	LTR	DESCRIPTION	DATE	APPROVED
	✓		F	REDAWN W/CHANGE ECN1296	1-11-85	<i>W.P. Lehman</i>
✓	✓		G	REV; 0600-1066-93	CT 1293	SG
			H	REV PER ECO-07-000501	PY 1-22-07	<i>D. Edy</i>



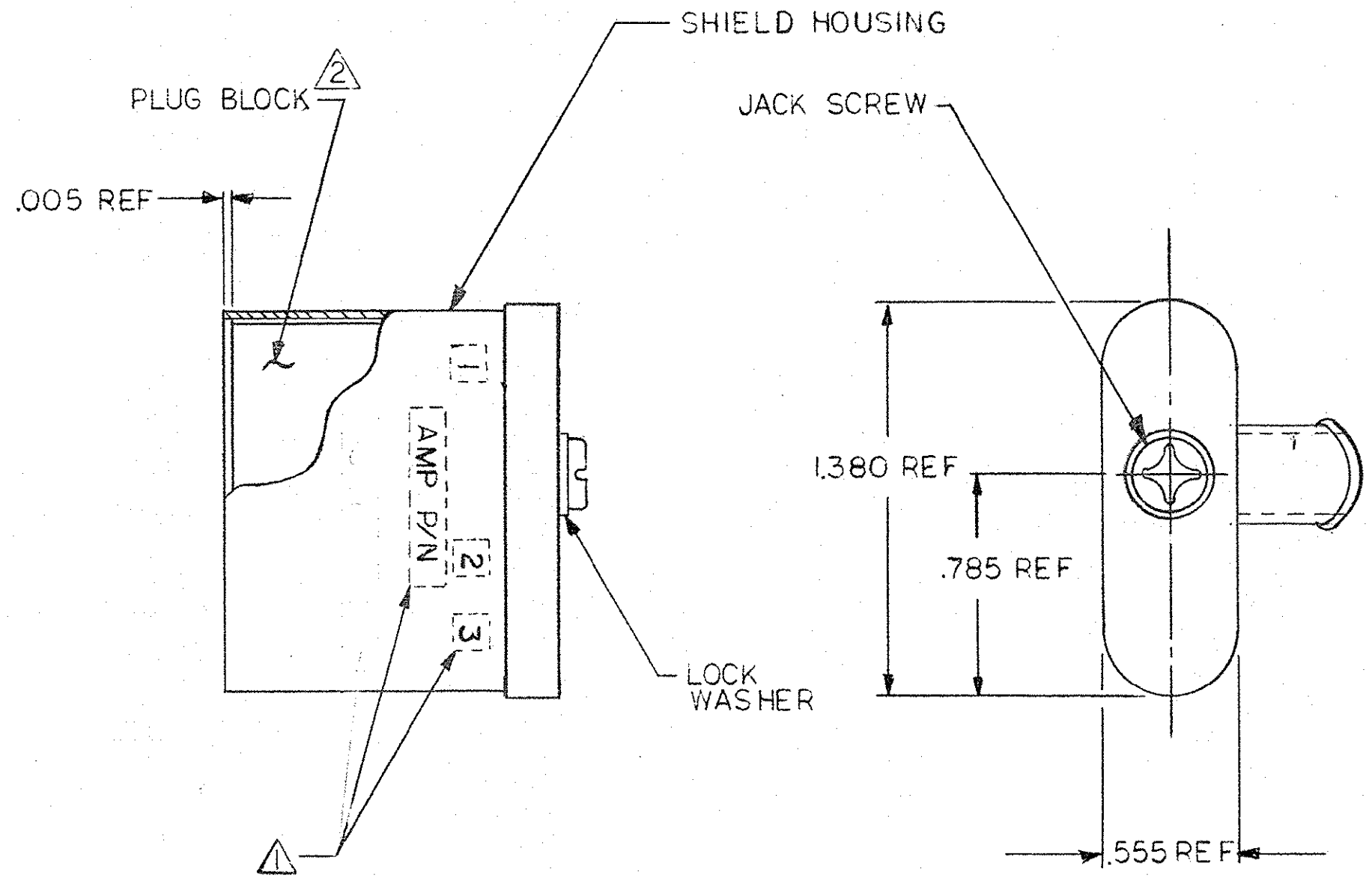
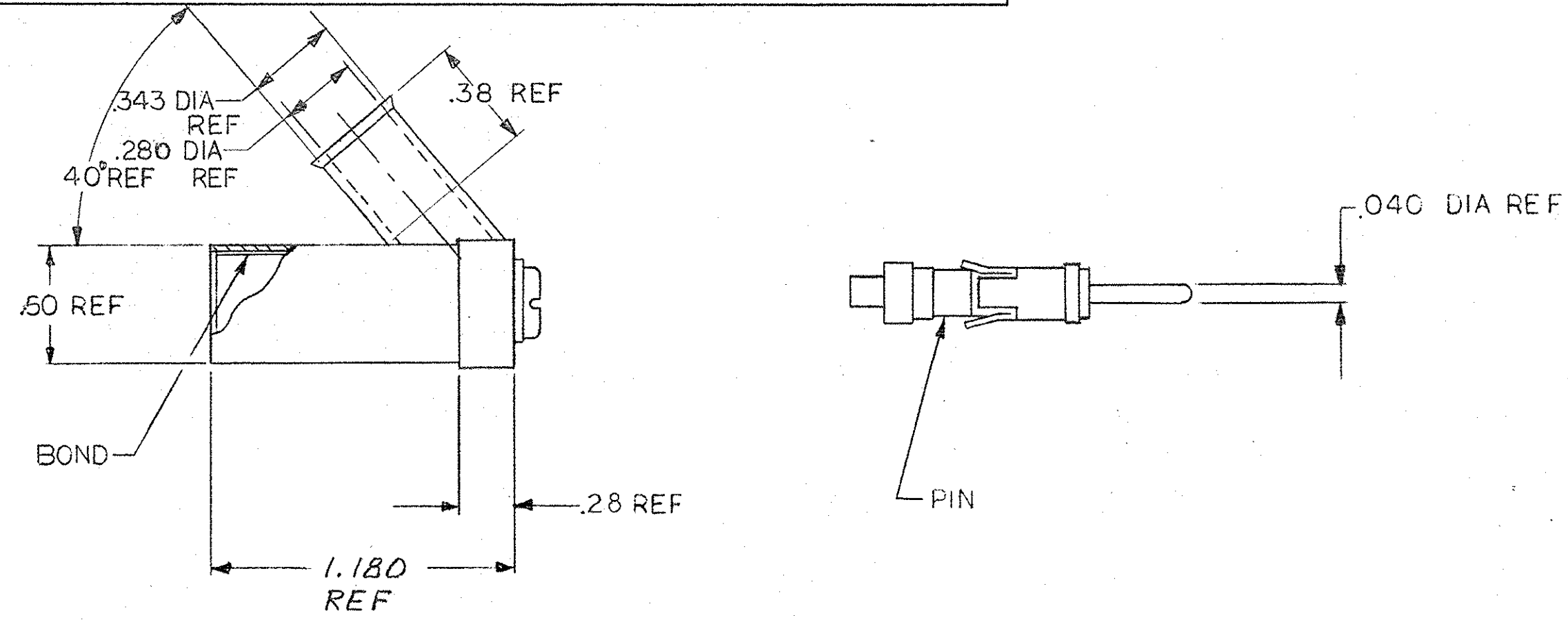
- 1 MARK IN THE AREA INDICATED PER MIL-STD-130 INCLUDING PIN LOCATION I.D. NUMBERS, 3331, P/N 1074.
- 2 THE PLUG-BLOCK AND SHIELD HOUSING ARE BONDED AT ASSY.
- 3 THE ASSEMBLED PLUG-BLOCK AND SHIELD HOUSING SHALL BE SEALED IN A PLASTIC BAG WITH A BAGGED SET OF THREE PINS FOR SHIPMENT AFTER FINAL INSPECTION.

AMP P/N 3331-1074

UNLESS OTHERWISE SPECIFIED DIMENSIONS ARE IN INCHES. TOLERANCES ON: DECIMALS ± .02 ANGLES ± .005	CONTRACT NO	AMP INCORPORATED Harrisburg, Pa. 17105		
	DR. <i>B. Blach</i> 12/14/84			
MATERIAL	CHK. <i>W.P. Lehman</i> 1-9-85	NAME THREE PIN PLUG ASSY KIT		
FINISH	APPD. <i>D. CROWLEY</i> 1-9-85	SIZE C	FSCM NO 00779	DRAWING NO 848710
	OTHER APPD	SCALE NTS	SHEET 1 OF 2	

THIS DRAWING IS UNPUBLISHED. RELEASED FOR PUBLICATION, 19
 © COPYRIGHT 19 BY AMP INCORPORATED, HARRISBURG, PA. ALL INTERNATIONAL RIGHTS RESERVED. AMP PRODUCTS MAY BE COVERED BY U.S. AND FOREIGN PATENTS AND/OR PATENTS PENDING.

REVISIONS						
P	F	ZONE	LTR	DESCRIPTION	DATE	APPROVED
		F		REDAWN W/CHANGE ECN1296	1/11/85	<i>W.D. Robinson</i>
SEE SHEET # 1						



- 1 MARK IN THE AREA INDICATED PER MIL-STD-130 INCLUDING PIN LOCATION I.D. NUMBERS, (SEE TABLE)
- 2 THE PLUG-BLOCK AND SHIELD HOUSING ARE BONDED AT ASSY.
- 3 THE ASSEMBLED PLUG-BLOCK AND SHIELD HOUSING SHALL BE SEALED IN A PLASTIC BAG WITH A BAGGED SET OF THREE PINS FOR SHIPMENT AFTER FINAL INSPECTION.

AMP P/N	ST. P/N	REV.
6-8410-2	373117-04	

UNLESS OTHERWISE SPECIFIED DIMENSIONS ARE IN INCHES. TOLERANCES ON: DECIMALS ± .02 ANGLES ± .005	CONTRACT NO	AMP AMP INCORPORATED Harrisburg, Pa. 17105			
	DR. <i>B. Hech</i> 12/14/84				NAME
MATERIAL	CHK. <i>W.D. Robinson</i> 1-9-85	THREE PIN PLUG ASSY KIT			
FINISH	APPD. <i>D. CROWLEY</i> 1-9-85	SIZE	FSCM NO	DRAWING NO	REV
	OTHER APPD	C	00779	848710	H
		SCALE	NTS	SHEET 2 OF 2	