



Chipsmall Limited consists of a professional team with an average of over 10 year of expertise in the distribution of electronic components. Based in Hongkong, we have already established firm and mutual-benefit business relationships with customers from,Europe,America and south Asia,supplying obsolete and hard-to-find components to meet their specific needs.

With the principle of “Quality Parts,Customers Priority,Honest Operation,and Considerate Service”,our business mainly focus on the distribution of electronic components. Line cards we deal with include Microchip,ALPS,ROHM,Xilinx,Pulse,ON,Everlight and Freescale. Main products comprise IC,Modules,Potentiometer,IC Socket,Relay,Connector.Our parts cover such applications as commercial,industrial, and automotives areas.

We are looking forward to setting up business relationship with you and hope to provide you with the best service and solution. Let us make a better world for our industry!



## Contact us

Tel: +86-755-8981 8866 Fax: +86-755-8427 6832

Email & Skype: info@chipsmall.com Web: www.chipsmall.com

Address: A1208, Overseas Decoration Building, #122 Zhenhua RD., Futian, Shenzhen, China



## EWS / EWS2 EWS2 Part number 84873004



Product replaced by the new EWS2 84 873 034

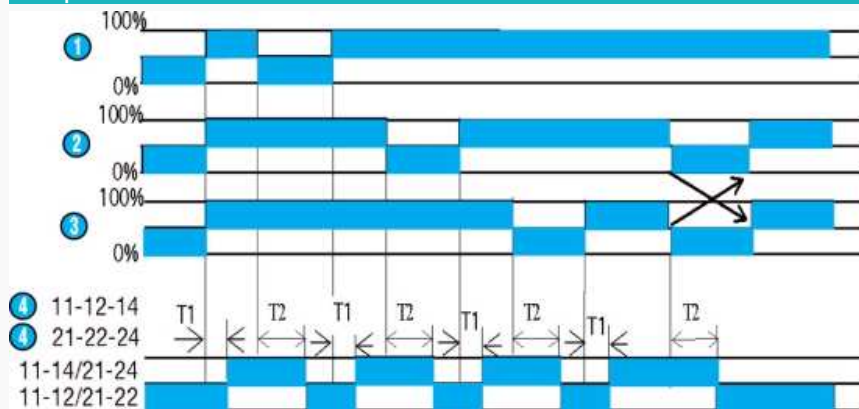
## Part numbers

Type	Output relay
84873004 EWS2	2 changeovers

## Specifications

Operating range	200 →500 VAC
Operating range	3 AC 230...440 V
Frequency	50 / 60 Hz +/- 1 Hz
Maximum consumption	25 VA
Output relay	1 or 2 changeovers
Type of contacts	No cadmium
Nominal rating	8 A
Maximum breaking voltage	250 V AC
Max. voltage	440 V AC
Nominal breaking capacity	2000 VA
Min. breaking current	10 mA / 5 V
Electrical life (number of operations)	AC 12 : $10^5$ at 8A/250 VAC
Maximum rate (at full load)	360 operations / hour
Mechanical life (operations)	$2 \times 10^7$
Pick-up delay T1	200 ms
Turn-off delay T2	300 ms in the event of phase failure
Connection capacity - without ferrule	$2 \times 2,5 \text{ mm}^2$ $1 \times 4 \text{ mm}^2$
Connection capacity - with ferrule	$2 \times 1,5 \text{ mm}^2$
Max. tightening torque	1 Nm (screw M3 / IEC/EN 60947-1)
Operating temperature range (°C)	-20 →+50
Storage temperature (°C)	-30 →+70
Housing material	Self-extinguishing
Protection (IEC/EN 60529) - Casing	IP40
Protection (IEC/EN 60529) - Term. block	IP20
Dielectric strength (IEC/EN 60255-5)	2,5 KV / 1 mn / 1 mA / 50 Hz
Insulation coordination (IEC/EN 60664-1)	Overvoltage category III, degree of pollution 3
Weight (g)	110

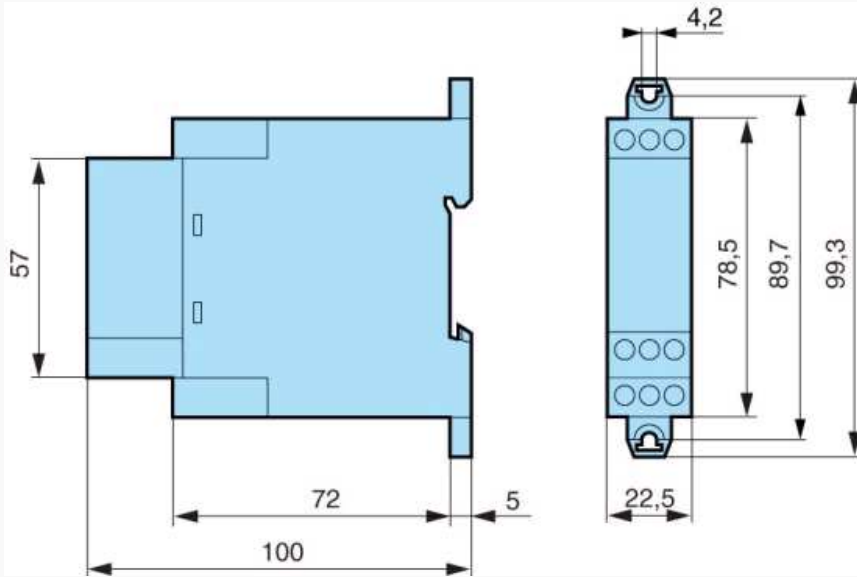
## Principles



N°	Legend
①	Phase L1
②	Phase L2
③	Phase L3
④	Relay

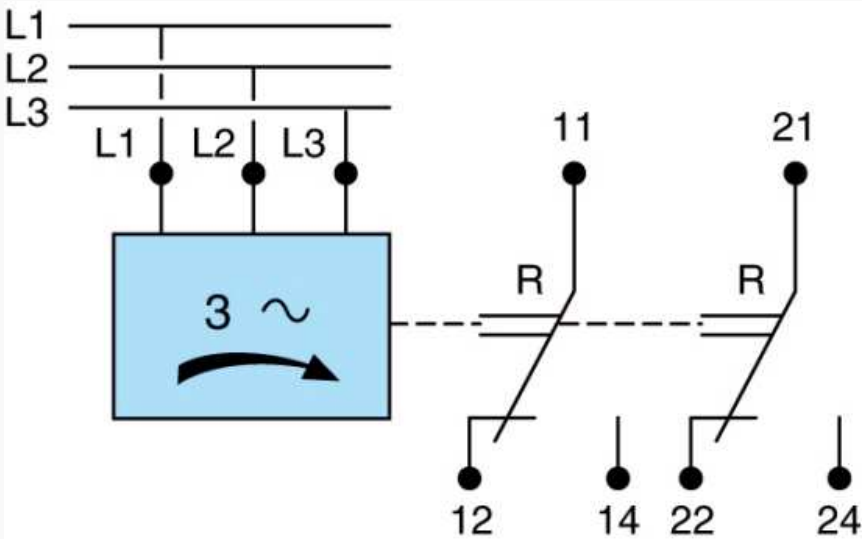
Dimensions (mm)

EWS / EWS2



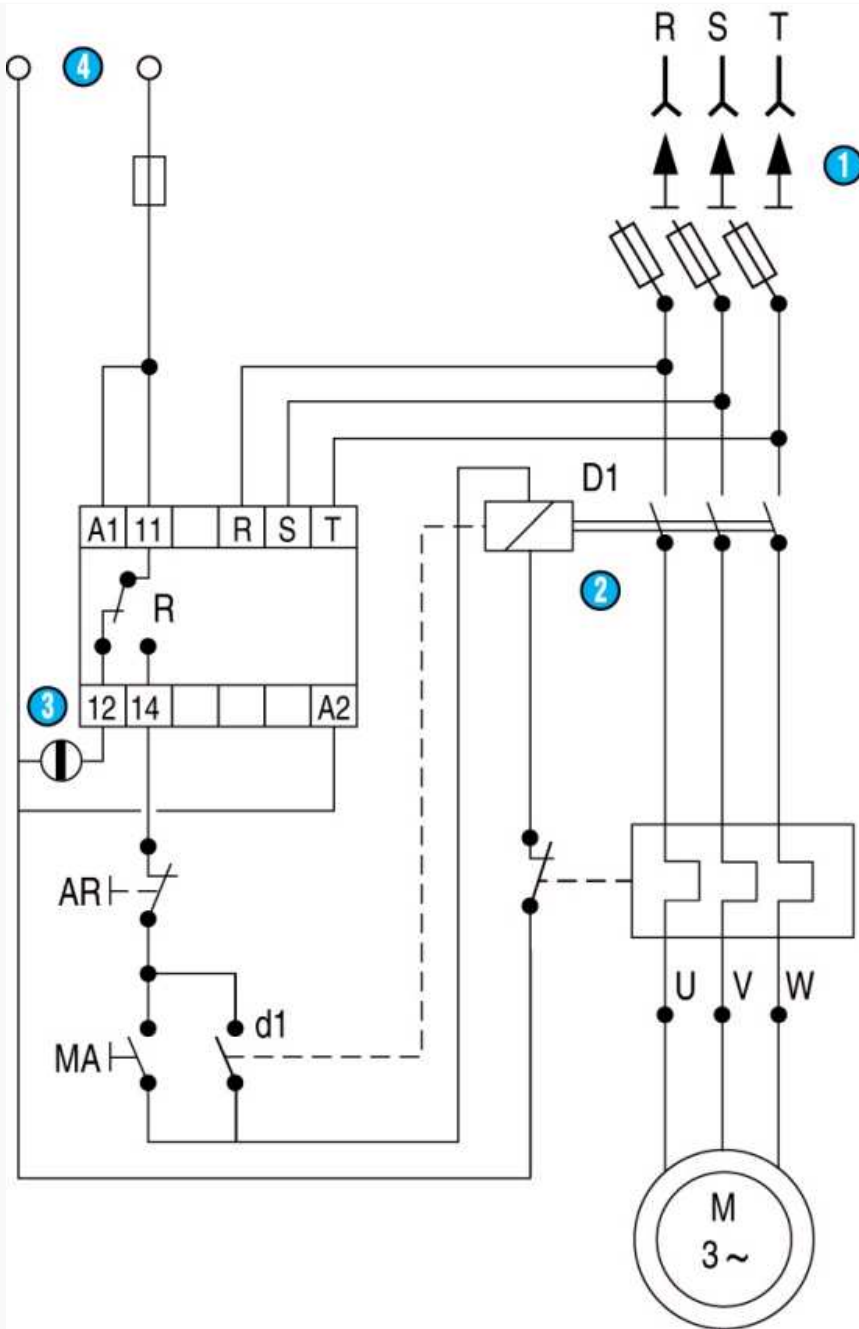
Connections

EWS2



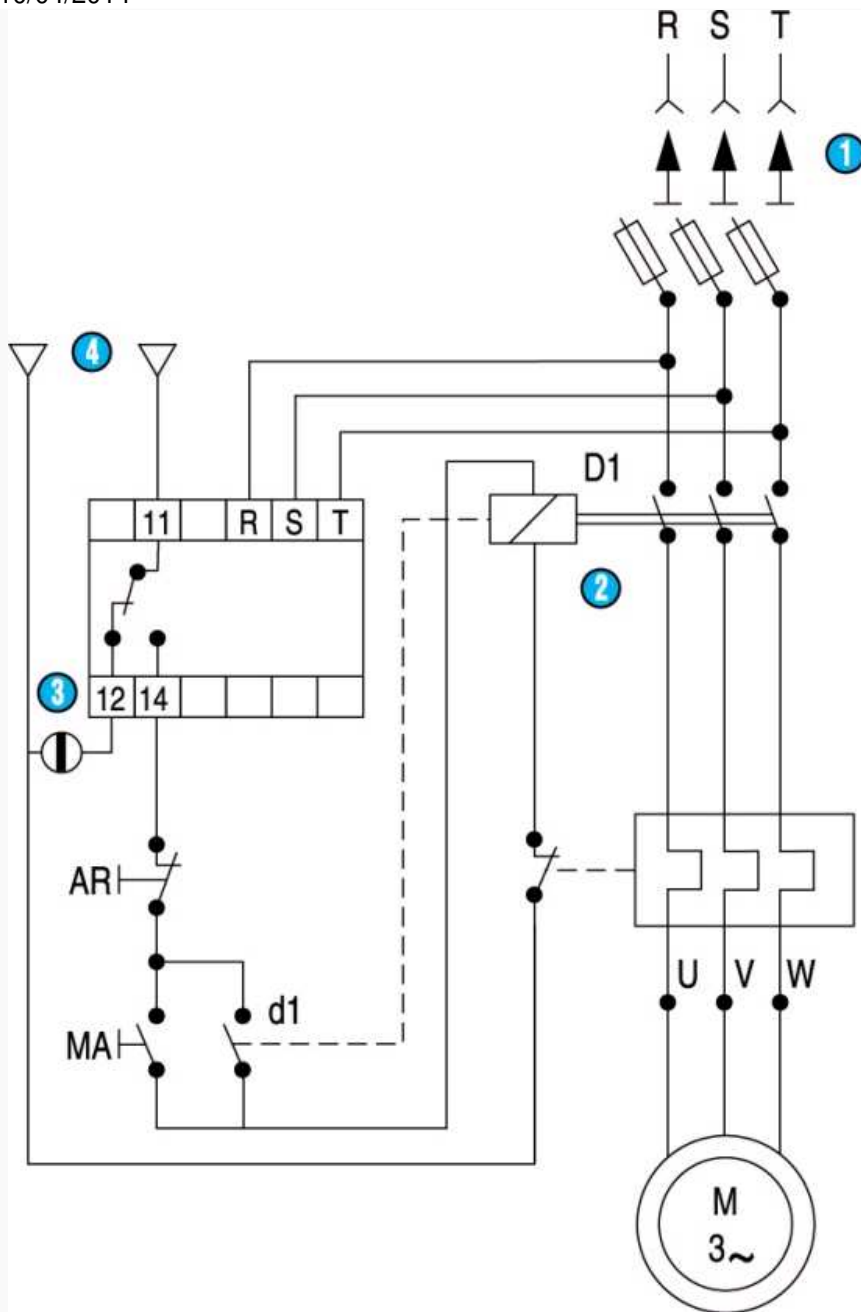
Connections

EWS



N°	Legend
1	Isolating switch
2	Contacteur
3	Alarm
4	Auxiliary power supply

**Connections**  
EWS



Surveillance moteur triphasé réenclenchement manuel après disparition du défaut détecté

N°	Legend
1	Isolating switch
2	Contacteur
3	Alarm
4	Auxiliary power supply for contactor coil and signalling