



Chipsmall Limited consists of a professional team with an average of over 10 year of expertise in the distribution of electronic components. Based in Hongkong, we have already established firm and mutual-benefit business relationships with customers from,Europe,America and south Asia,supplying obsolete and hard-to-find components to meet their specific needs.

With the principle of “Quality Parts,Customers Priority,Honest Operation,and Considerate Service”,our business mainly focus on the distribution of electronic components. Line cards we deal with include Microchip,ALPS,ROHM,Xilinx,Pulse,ON,Everlight and Freescale. Main products comprise IC,Modules,Potentiometer,IC Socket,Relay,Connector.Our parts cover such applications as commercial,industrial, and automotives areas.

We are looking forward to setting up business relationship with you and hope to provide you with the best service and solution. Let us make a better world for our industry!



Contact us

Tel: +86-755-8981 8866 Fax: +86-755-8427 6832

Email & Skype: info@chipsmall.com Web: www.chipsmall.com

Address: A1208, Overseas Decoration Building, #122 Zhenhua RD., Futian, Shenzhen, China

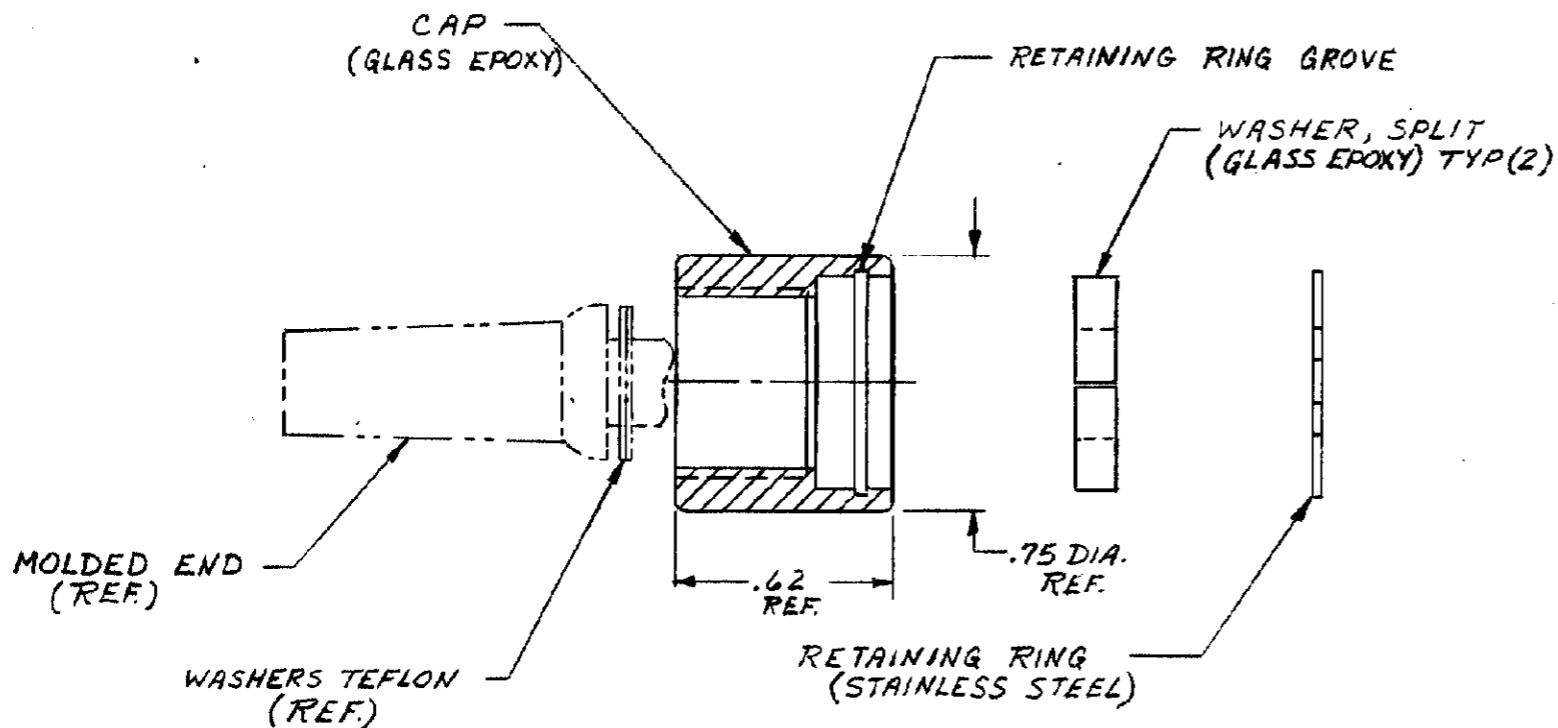


DRAWING MADE IN AMERICAN PROJECTION

© 1969 BY AMP INCORPORATED. ALL RIGHTS RESERVED. AMP PRODUCTS COVERED BY PATENTS AND/OR PATENTS PENDING.

THIS PRODUCT DESIGNED AND BUILT BY AMP INCORPORATED. NO LICENSE TO USE THAT DESIGN IN MANUFACTURE, OR TO USE ANY ISSUED OR PENDING PATENTS WHICH ARE INVOLVED, IS IMPLIED.

REVISIONS				
ZONE	LTR	DESCRIPTION	DATE	APPROVED
		WAS SD 27168		
A		WASHER WAS BRASS	11-20-69	JPA
B		ADDED -1, -2 & -3	11-16-73	JPA
C		OBSOLETE -2, -3 ECN 53630	1-29-87	JM



KIT CONSISTS OF THE FOLLOWING ITEMS

1. CAP
2. WASHER, SPLIT (2 HALVES)
3. RETAINING RING

OBSOLETE	849267-3	AS SHOWN WITH RED CAP
	849267-2	AS SHOWN WITH GREEN CAP
	849267-1	AS SHOWN WITH BLACK CAP

QTY REQD	CTY REQD	ITEM NO.	DWG SIZE	PART OR IDENTIFYING NO.	NOMENCLATURE OR DESCRIPTION	SYMBOL
-2	-1					

PARTS LIST

UNLESS OTHERWISE SPECIFIED: DIMENSIONS ARE IN INCHES TOLERANCES .00 ± ANGLES - .000 ±				CONTRACT NO.		AMP INCORPORATED CAPITRON DIVISION ELIZABETHTOWN, PENNSYLVANIA	
MATERIAL:				DR <i>J. J. J.</i> 1-11-69		NAME KIT, LGH-1 & 1L	
FINISH:				CHK		REPLACEABLE CAP FOR MOLDED END LEADS	
NEXT ASSY				APPD		SIZE B	
FINAL ASSY				APPD		CODE IDENT NO. 80779	
NEXT ASSY				DSGN APPD <i>J. J. J.</i> 1-14-69		NUMBER 849267	
USED ON				OTHER APPD		SCALE <i>1:1</i> WT	
QTY REQD				APPLICATION		SHEET 1 OF 1	