



Chipsmall Limited consists of a professional team with an average of over 10 year of expertise in the distribution of electronic components. Based in Hongkong, we have already established firm and mutual-benefit business relationships with customers from,Europe,America and south Asia,supplying obsolete and hard-to-find components to meet their specific needs.

With the principle of “Quality Parts,Customers Priority,Honest Operation,and Considerate Service”,our business mainly focus on the distribution of electronic components. Line cards we deal with include Microchip,ALPS,ROHM,Xilinx,Pulse,ON,Everlight and Freescale. Main products comprise IC,Modules,Potentiometer,IC Socket,Relay,Connector.Our parts cover such applications as commercial,industrial, and automotives areas.

We are looking forward to setting up business relationship with you and hope to provide you with the best service and solution. Let us make a better world for our industry!



Contact us

Tel: +86-755-8981 8866 Fax: +86-755-8427 6832

Email & Skype: info@chipsmall.com Web: www.chipsmall.com

Address: A1208, Overseas Decoration Building, #122 Zhenhua RD., Futian, Shenzhen, China

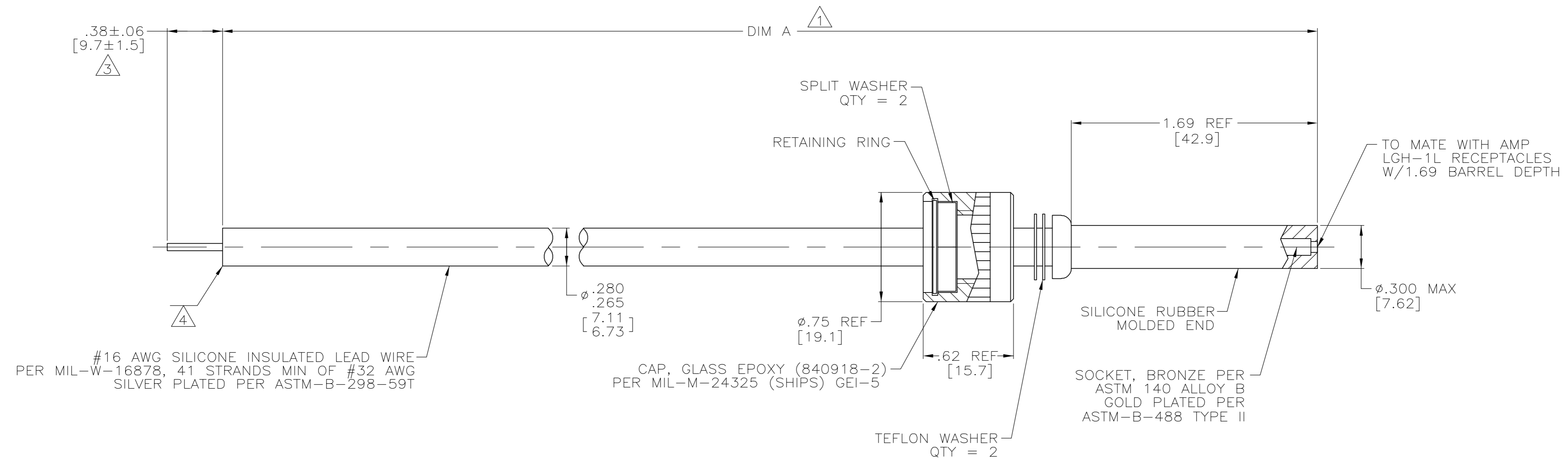


THIS DRAWING IS UNPUBLISHED. RELEASED FOR PUBLICATION - .N/A .
 © COPYRIGHT N/A BY TYCO ELECTRONICS CORPORATION. ALL RIGHTS RESERVED.

LOC	DIST	REVISIONS					
DF	S5	P	LTR	DESCRIPTION	DATE	DWN	APVD
		G		REV PER ECO-05-002582	06-05	AA	DE

PART NUMBER	DIM A	REMARKS
849310-1	12.00 [304.8]	OBSOLETE
849310-2	18.30 [464.8]	OBSOLETE
849310-3	23.80 [604.5]	③
849310-4	28.00 [711.2]	③
849310-5	39.00 [990.6]	③
849310-6	26.00 [660.4]	③
849310-7	25.00 [635.0]	OBSOLETE
5-849310-3	23.80 [604.5]	④

- ① TOLERANCE OF LEAD LENGTH:
UP TO 24 INCHES [609.6] = ±.12 [3.0]
24 INCHES [609.6] & UP = 1%
- ② COLOR OF LEAD WIRE:
WHITE UNLESS OTHERWISE SPECIFIED.
- ③ PIGTAIL SOLDER DIPPED.
- ④ INSULATION CUT TO LENGTH, BUT NOT REMOVED.



#16 AWG SILICONE INSULATED LEAD WIRE PER MIL-W-16878, 41 STRANDS MIN OF #32 AWG SILVER PLATED PER ASTM-B-298-59T

CAP, GLASS EPOXY (840918-2) PER MIL-M-24325 (SHIPS) GEI-5

TEFLON WASHER QTY = 2

THIS DRAWING IS A CONTROLLED DOCUMENT.		DWN DICK STONE 19-APR-78	tyco Tyco Electronics Corporation Harrisburg, Pa 17105-3608	
DIMENSIONS: INCHES		CHK J.W.SHAW 05-FEB-81	NAME LEAD ASSEMBLY, SINGLE MOLDED END LGH-1L W/REMOVABLE CAP	
TOLERANCES UNLESS OTHERWISE SPECIFIED:		APVD J.W.SHAW 05-FEB-81	SIZE A2	CAGE CODE 00779
0 PLC ± -		PRODUCT SPEC	DRAWING NO C=849310	RESTRICTED TO
1 PLC ± -		APPLICATION SPEC	SCALE 2:1	SHEET 1 OF 1
2 PLC ± .04		WEIGHT -	REV G	
3 PLC ± .015		CUSTOMER DRAWING		
4 PLC ± -				
ANGLES ± -				
FINISH SEE CALLOUTS				