



Chipsmall Limited consists of a professional team with an average of over 10 year of expertise in the distribution of electronic components. Based in Hongkong, we have already established firm and mutual-benefit business relationships with customers from,Europe,America and south Asia,supplying obsolete and hard-to-find components to meet their specific needs.

With the principle of “Quality Parts,Customers Priority,Honest Operation,and Considerate Service”,our business mainly focus on the distribution of electronic components. Line cards we deal with include Microchip,ALPS,ROHM,Xilinx,Pulse,ON,Everlight and Freescale. Main products comprise IC,Modules,Potentiometer,IC Socket,Relay,Connector.Our parts cover such applications as commercial,industrial, and automotives areas.

We are looking forward to setting up business relationship with you and hope to provide you with the best service and solution. Let us make a better world for our industry!



## Contact us

Tel: +86-755-8981 8866 Fax: +86-755-8427 6832

Email & Skype: info@chipsmall.com Web: www.chipsmall.com

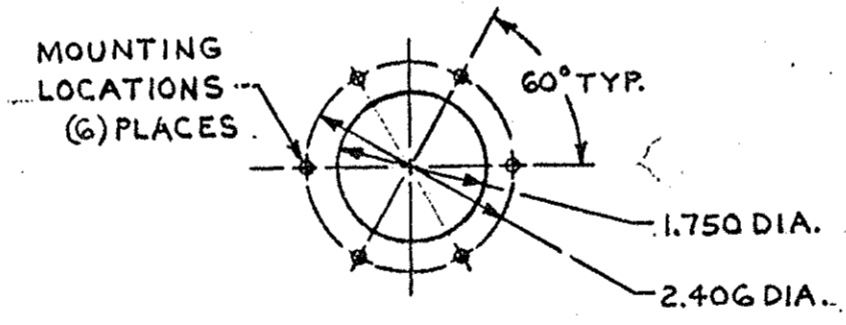
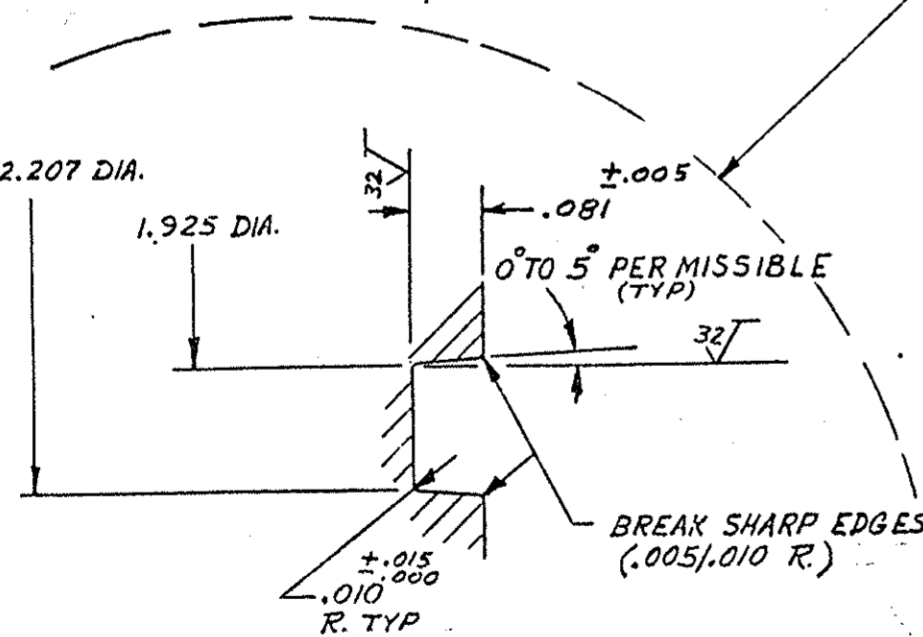
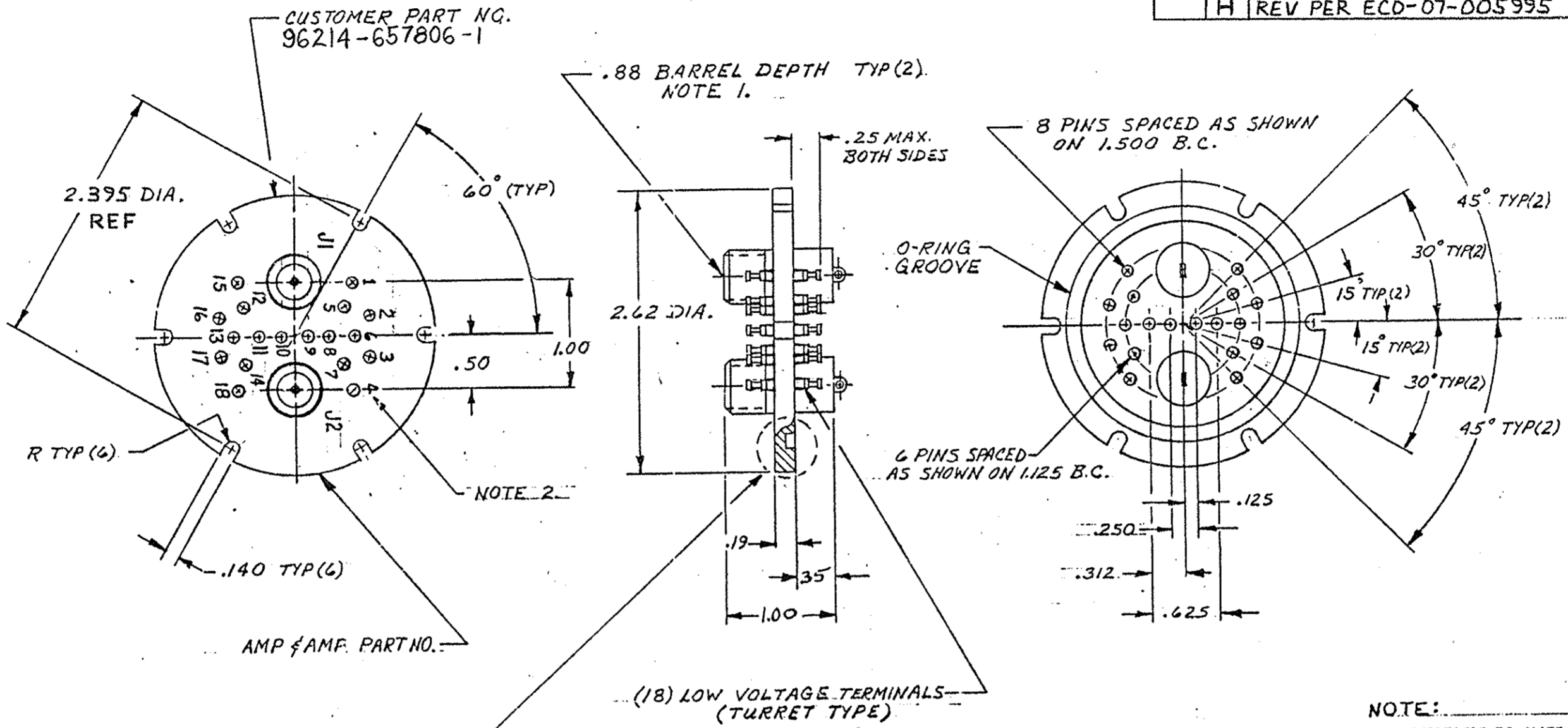
Address: A1208, Overseas Decoration Building, #122 Zhenhua RD., Futian, Shenzhen, China



© 1969 BY AMP INCORPORATED. ALL RIGHTS RESERVED. AMP PRODUCTS COVERED BY PATENTS AND/OR PATENTS PENDING.

THIS PRODUCT DESIGNED AND BUILT BY AMP INCORPORATED. NO LICENSE TO USE THAT DESIGN OR MANUFACTURE, OR TO USE ANY ISSUED OR PENDING PATENTS WHICH ARE INVOLVED, IS IMPLIED.

REVISIONS				
ZONE	LTR	DESCRIPTION	DATE	APPROVED
A		REF SK 26799-A REVISED & REDRAWN	4-1-69	KWK
B		REVISED NOTE 1 ECN 8383	9-5-78	M.H.
C		ECN 8983	10-31-79	M.H.
D		ADDED PANEL CUTOUT DIMS	8-18-83	B.M.
E		REV. PER ECN L1309.	2-12-85	S.M.
F		OBSOLETE ECN 53614	1-19-87	R.B.
G		REV PER DF4286	7/3/91	Don Eaby
H		REV PER ECD-07-005995	4-3-07	Don Eaby



- NOTE:
1. RECEPTACLE TO MATE WITH AMP LGH-1 LEAD ASSEMBLY. AVAILABLE SEPARATELY.
  2. MARK CUSTOMER NO. & AMP & AMP PART NO. AS SHOWN - RUBBER STAMP COLOR TO BE WHITE. APPROX .12 HIGH
  3. ALL LOW VOLTAGE TERMINALS, GROUND TO 600 V MAX & 600 V TERMINAL TO TERMINAL
  4. CONNECTOR IS HERMETIC SEALED.

RECOMMENDED PANEL CUT OUT HALF SCALE

QTY REQD	QTY REQD	ITEM NO.	DWG SIZE	PART OR IDENTIFYING NO.	NOMENCLATURE OR DESCRIPTION	SYMBOL
-2	-1			849515-1	AS SHOWN	

QTY REQD	FINAL ASSY	NEXT ASSY	USED ON	APPLICATION

UNLESS OTHERWISE SPECIFIED:  
DIMENSIONS ARE IN INCHES  
TOLERANCES  
.00 = ±.02 ANGLES = ±1°  
.000 = ±.005

MATERIAL:  
MOLDED GLASS EPOXY (BLACK)

FINISH:

CONTRACT NO.	DR	CHK	APPD	APPD	DSGN APPD	OTHER APPD
	L. GEIB		E. JOHNSON			
	1-29-69		1-30-69			

AMP INCORPORATED  
CAPITRON DIVISION  
ELIZABETHTOWN, PENNSYLVANIA

NAME  
INTERFACE CONNECTOR (18) LOW VOLTAGE (2) HIGH VOLTAGE

WJH

SIZE	CODE IDENT NO.	NUMBER
C	00779	849515

SCALE ~ WT SHEET REV

PRINT DIST. LOC. L/SO DE