



Chipsmall Limited consists of a professional team with an average of over 10 year of expertise in the distribution of electronic components. Based in Hongkong, we have already established firm and mutual-benefit business relationships with customers from,Europe,America and south Asia,supplying obsolete and hard-to-find components to meet their specific needs.

With the principle of “Quality Parts,Customers Priority,Honest Operation,and Considerate Service”,our business mainly focus on the distribution of electronic components. Line cards we deal with include Microchip,ALPS,ROHM,Xilinx,Pulse,ON,Everlight and Freescale. Main products comprise IC,Modules,Potentiometer,IC Socket,Relay,Connector.Our parts cover such applications as commercial,industrial, and automotives areas.

We are looking forward to setting up business relationship with you and hope to provide you with the best service and solution. Let us make a better world for our industry!



## Contact us

Tel: +86-755-8981 8866 Fax: +86-755-8427 6832

Email & Skype: info@chipsmall.com Web: www.chipsmall.com

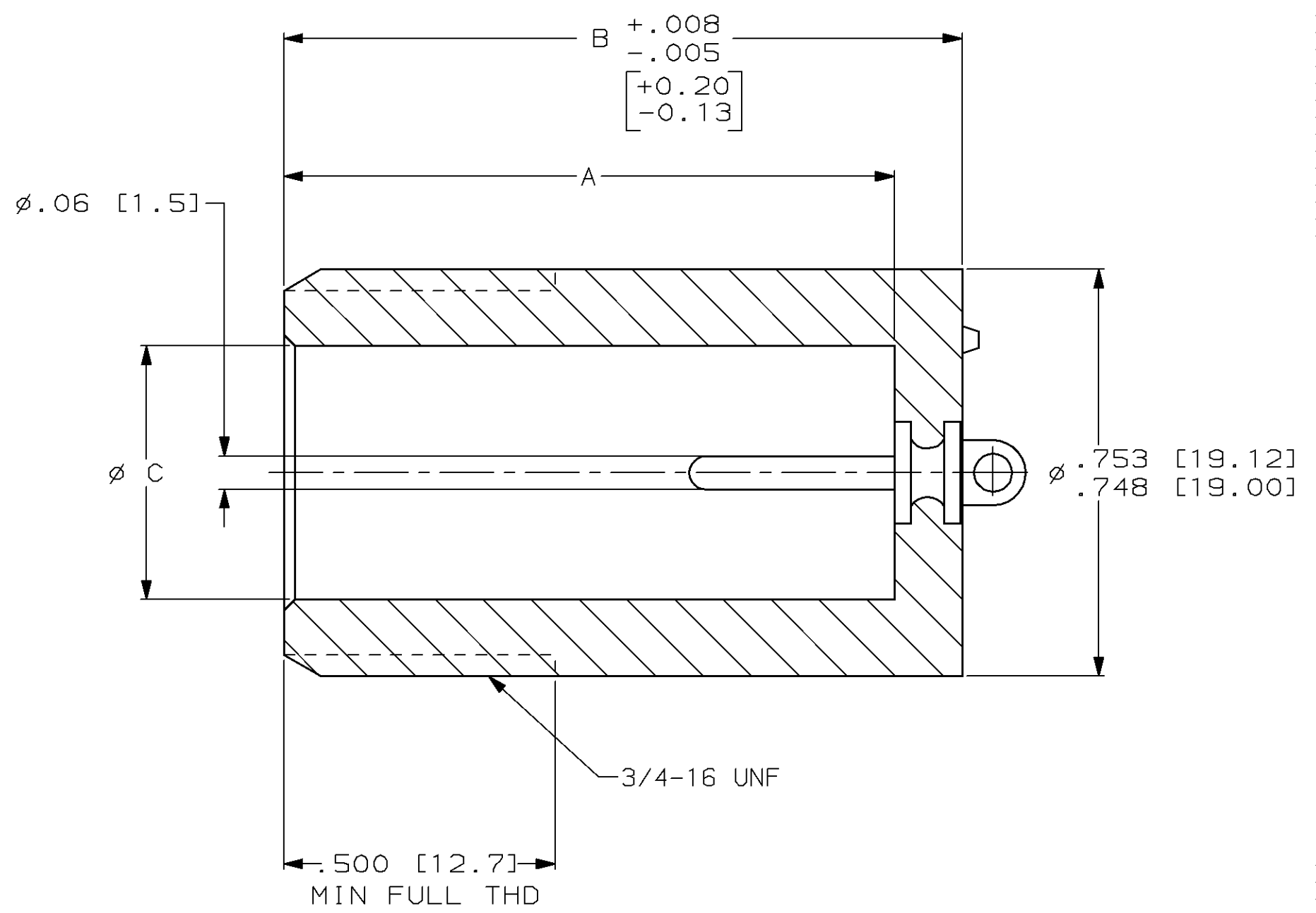
Address: A1208, Overseas Decoration Building, #122 Zhenhua RD., Futian, Shenzhen, China



THIS DRAWING IS UNPUBLISHED. RELEASED FOR PUBLICATION ,19 .  
 © COPYRIGHT 19 BY AMP INCORPORATED. ALL INTERNATIONAL RIGHTS RESERVED.

PROD CODE	LOC	DIST	P	F	ZONE	LTR	DESCRIPTION	DATE	APPD	
4085	DF	SO				M	REV PER 0600-5644-96	MEP	1-97	SG

PART NO.	DIM A	DIM B	DIM C	TERMINAL PLATING	SIZE	
849587-1	1.125 [28.6]	1.250 [31.7]	.468 [11.9]	1	LGH-2	
849587-2	1.125 [28.6]	1.250 [31.7]	.468 [11.9]	2	LGH-2	OBSOLETE
849587-3	1.000 [25.4]	1.125 [28.6]	.468 [11.9]	1	LGH-2	OBSOLETE
849587-4	1.000 [25.4]	1.125 [28.6]	.468 [11.9]	2	LGH-2	OBSOLETE
849587-5	.875 [22.2]	1.000 [25.4]	.468 [11.9]	1	LGH-2	OBSOLETE
849587-6	.875 [22.2]	1.000 [25.4]	.468 [11.9]	2	LGH-2	OBSOLETE
849587-7	.750 [19.0]	.875 [22.2]	.468 [11.9]	1	LGH-2	OBSOLETE
849587-8	.750 [19.0]	.875 [22.2]	.468 [11.9]	2	LGH-2	OBSOLETE
849587-9	1.812 [46.0]	1.937 [49.2]	.312 [7.9]	1	LGH-3	
1-849587-0	1.812 [46.0]	1.937 [49.2]	.312 [7.9]	2	LGH-3	OBSOLETE
1-849587-1	1.437 [36.5]	1.562 [39.7]	.468 [11.9]	1	LGH-2	
1-849587-2	1.437 [36.5]	1.562 [39.7]	.468 [11.9]	2	LGH-2	OBSOLETE
1-849587-3	.750 [19.0]	.875 [22.2]	.312 [7.9]	1	LGH-3	OBSOLETE
1-849587-4	.750 [19.0]	.875 [22.2]	.312 [7.9]	2	LGH-3	OBSOLETE
1-849587-5	.875 [22.2]	1.000 [25.4]	.312 [7.9]	1	LGH-3	OBSOLETE
1-849587-6	.875 [22.2]	1.000 [25.4]	.312 [7.9]	2	LGH-3	OBSOLETE
1-849587-7	1.000 [25.4]	1.125 [28.6]	.312 [7.9]	1	LGH-3	OBSOLETE
1-849587-8	1.000 [25.4]	1.125 [28.6]	.312 [7.9]	2	LGH-3	OBSOLETE
1-849587-9	1.125 [28.6]	1.250 [31.7]	.312 [7.9]	1	LGH-3	
2-849587-0	1.125 [28.6]	1.250 [31.7]	.312 [7.9]	2	LGH-3	OBSOLETE
6-849587-0	1.812 [46.0]	1.937 [49.2]	.312 [7.9]	3	LGH-3	
6-849587-1	1.437 [36.5]	1.562 [39.7]	.468 [11.9]	1	LGH-2	



- 1 TIN PLATED .0001 [0.0025] MIN THK PER MIL-T-10727, TYPE I OR II.
- 2 GOLD PLATED .000030 [0.00076] MIN THK PER MIL-G-45204, TYPE II.
- 3 GOLD PLATED .000050 [0.00127] MIN THK PER MIL-G-45204, TYPE II.
- 4. LGH-2 RECEPTACLE TO MATE WITH AMP LGH-2 LEAD ASSEMBLY.
- 5. LGH-3 RECEPTACLE TO MATE WITH AMP LGH-3 LEAD ASSEMBLY.

DO NOT SCALE PRINT. UNLESS SPECIFIED DIMENSIONS IN INCHES [mm] TOLERANCES ON : 2 PLC DEC ± .04 [1.0] 3 PLC DEC ± .015 [0.38] ANGLES ± -	DR 7-19-93 C.C. THOMAS	AMP Incorporated Harrisburg, PA 17105-3608
	CHK 7-21-93 D.EABY	
MATERIAL -	APPD 7-21-93 D.EABY	NAME
FINISH -	APPD 7-21-93 C.C. THOMAS	MOLDED RCPT, LGH-2 & 3
	PRODUCT SPEC -	SIZE C
	APPLICATION SPEC -	CAGE CODE 00779
	WEIGHT -	DRAWING NO C=849587
		SCALE 4:1
		SHEET 1 OF 1

THIS DRAWING IS A CONTROLLED DOCUMENT FOR AMP INCORPORATED. IT IS SUBJECT TO CHANGE AND THE CONTROLLING ENGINEERING ORGANIZATION SHOULD BE CONTACTED FOR THE LATEST REVISION.