



Chipsmall Limited consists of a professional team with an average of over 10 year of expertise in the distribution of electronic components. Based in Hongkong, we have already established firm and mutual-benefit business relationships with customers from,Europe,America and south Asia,supplying obsolete and hard-to-find components to meet their specific needs.

With the principle of “Quality Parts,Customers Priority,Honest Operation,and Considerate Service”,our business mainly focus on the distribution of electronic components. Line cards we deal with include Microchip,ALPS,ROHM,Xilinx,Pulse,ON,Everlight and Freescale. Main products comprise IC,Modules,Potentiometer,IC Socket,Relay,Connector.Our parts cover such applications as commercial,industrial, and automotives areas.

We are looking forward to setting up business relationship with you and hope to provide you with the best service and solution. Let us make a better world for our industry!



Contact us

Tel: +86-755-8981 8866 Fax: +86-755-8427 6832

Email & Skype: info@chipsmall.com Web: www.chipsmall.com

Address: A1208, Overseas Decoration Building, #122 Zhenhua RD., Futian, Shenzhen, China

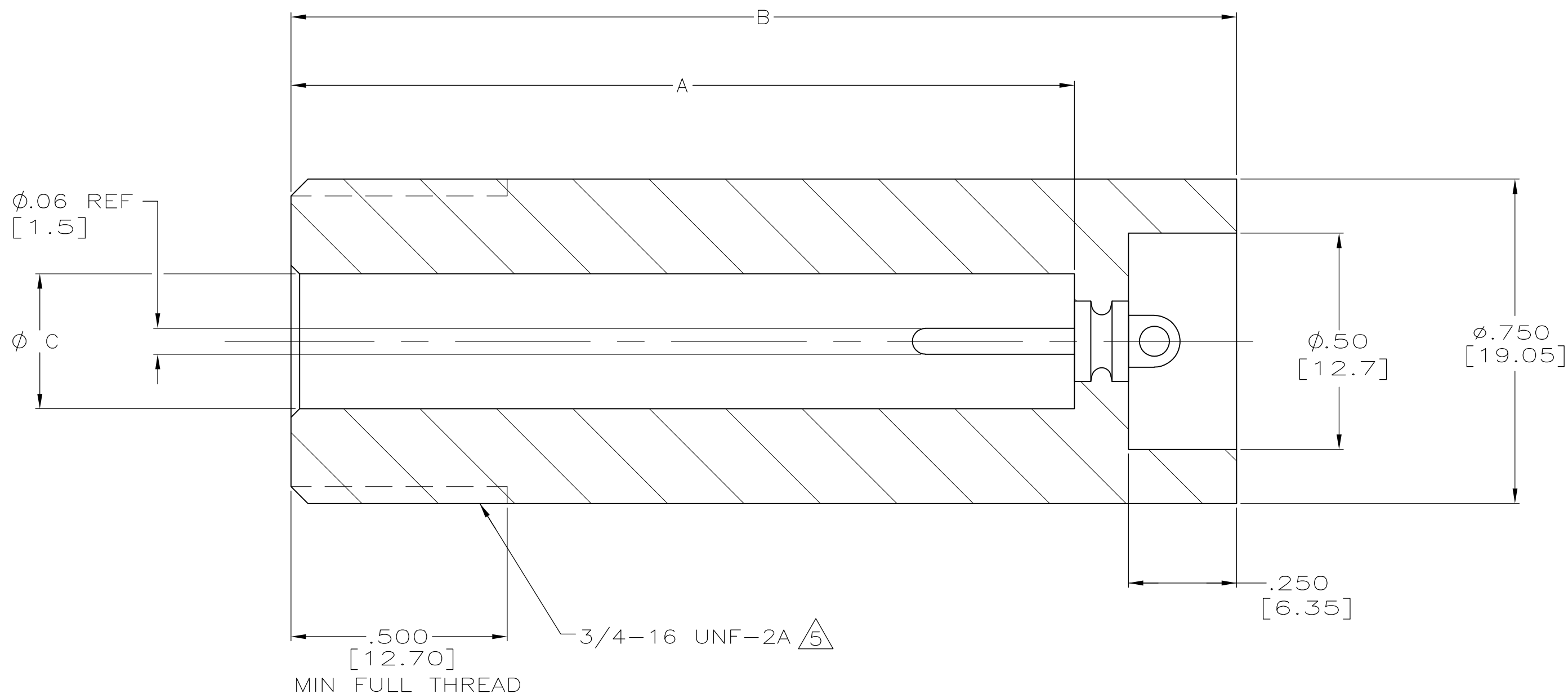


THIS DRAWING IS UNPUBLISHED. RELEASED FOR PUBLICATION - N/A .
 © COPYRIGHT N/A BY TYCO ELECTRONICS CORPORATION. ALL RIGHTS RESERVED.

LOC	DIST	REVISIONS					
DF	S0	P	LTR	DESCRIPTION	DATE	DWN	APVD
		C		REV PER ECO-10-018231	11OCT10	PY	DE

PART NO.	DIM A	DIM B	DIM C	TERMINAL PLATING	SIZE	
849588-1	1.437 [36.50]	1.81 [46.02]	.468 [11.9]	⚠1	LGH-2	
849588-2	1.437 [36.50]	1.81 [46.02]	.468 [11.9]	⚠2	LGH-2	OBSOLETE
849588-3	1.812 [46.02]	2.18 [55.55]	.312 [7.92]	⚠1	LGH-3	
849588-4	1.812 [46.02]	2.18 [55.55]	.312 [7.92]	⚠2	LGH-3	OBSOLETE
5-849588-1	1.437 [36.50]	1.81 [46.02]	.468 [11.9]	⚠1	LGH-2	
5-849588-3	1.812 [46.02]	2.18 [55.55]	.312 [7.92]	⚠1	LGH-3	

- ⚠1 PLATED 93/7 TIN-LEAD .0001[0.0025] MIN THK OR TIN PER ASTM-B-545 .0001[0.0025] MIN THK.
- ⚠2 GOLD PLATED .000030 [0.00076] MIN THK PER MIL-G-45204, TYPE II.
- 3. LGH-2 RECEPTACLE TO MATE WITH AMP LGH-2 LEAD ASSEMBLY.
- 4. LGH-3 RECEPTACLE TO MATE WITH AMP LGH-3 LEAD ASSEMBLY.
- ⚠5 PER FEDERAL STANDARD H-28 3 WIRE METHOD. DIMENSION OVER WIRES TO BE: .7474-.7654 [18.98-19.44].
- 6. AMP INFO MARKED PER MIL-STD-130.
- ⚠6 PLATED TIN PER ASTM-B-545 .0001[0.0025] MIN THK.



THIS DRAWING IS A CONTROLLED DOCUMENT.		DWN C.C.THOMAS 07-APR-95	Tyco Electronics Corporation Harrisburg, Pa 17105-3608												
DIMENSIONS: INCHES		CHK D.EABY 10-APR-95	NAME D.EABY												
TOLERANCES UNLESS OTHERWISE SPECIFIED:		APVD D.EABY 10-APR-95	PRODUCT SPEC												
<table border="0"> <tr><td>0 PLC</td><td>± -</td></tr> <tr><td>1 PLC</td><td>± -</td></tr> <tr><td>2 PLC</td><td>± .01[0.3]</td></tr> <tr><td>3 PLC</td><td>± .005[0.13]</td></tr> <tr><td>4 PLC</td><td>± -</td></tr> <tr><td>ANGLES</td><td>± -</td></tr> </table>		0 PLC	± -	1 PLC	± -	2 PLC	± .01[0.3]	3 PLC	± .005[0.13]	4 PLC	± -	ANGLES	± -	APPLICATION SPEC	
0 PLC	± -														
1 PLC	± -														
2 PLC	± .01[0.3]														
3 PLC	± .005[0.13]														
4 PLC	± -														
ANGLES	± -														
MATERIAL	FINISH	WEIGHT	SIZE A2	CAGE CODE 00779											
-	-	-	DRAWING NO C=849588												
CUSTOMER DRAWING			RESTRICTED TO	SCALE 4:1											
			SHEET 1	OF 1											
			REV C												