



Chipsmall Limited consists of a professional team with an average of over 10 year of expertise in the distribution of electronic components. Based in Hongkong, we have already established firm and mutual-benefit business relationships with customers from,Europe,America and south Asia,supplying obsolete and hard-to-find components to meet their specific needs.

With the principle of “Quality Parts,Customers Priority,Honest Operation,and Considerate Service”,our business mainly focus on the distribution of electronic components. Line cards we deal with include Microchip,ALPS,ROHM,Xilinx,Pulse,ON,Everlight and Freescale. Main products comprise IC,Modules,Potentiometer,IC Socket,Relay,Connector.Our parts cover such applications as commercial,industrial, and automotives areas.

We are looking forward to setting up business relationship with you and hope to provide you with the best service and solution. Let us make a better world for our industry!



Contact us

Tel: +86-755-8981 8866 Fax: +86-755-8427 6832

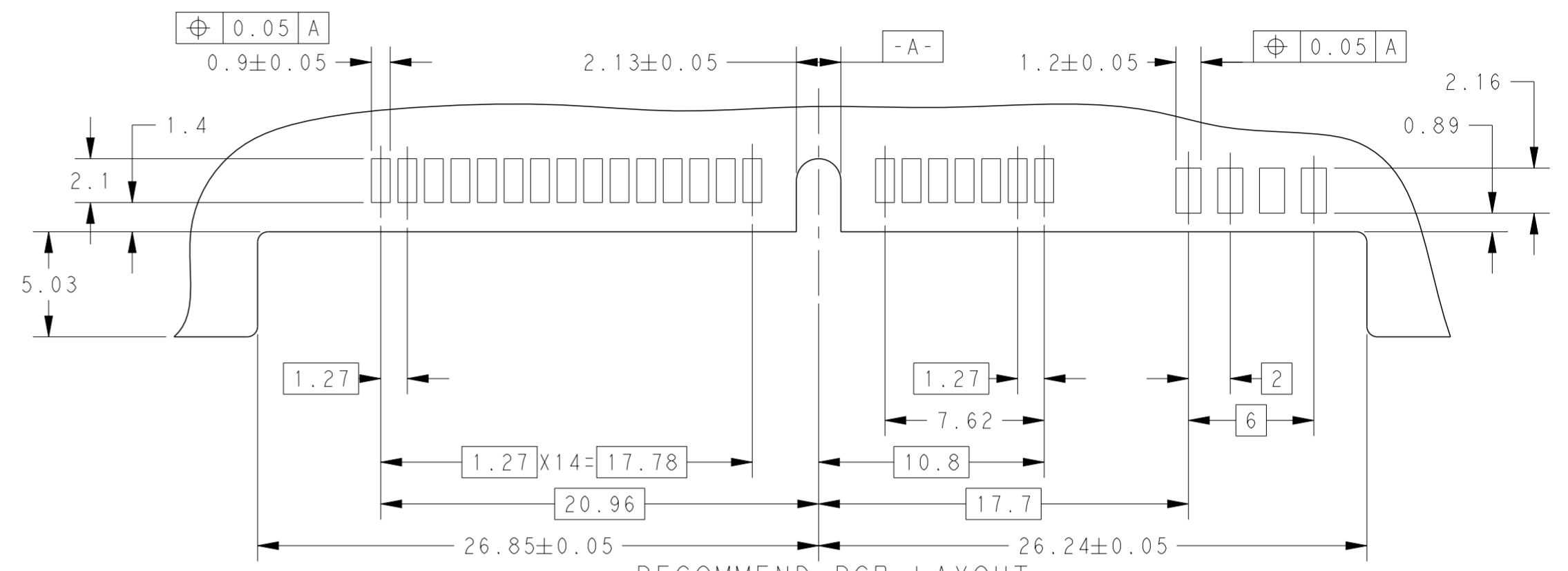
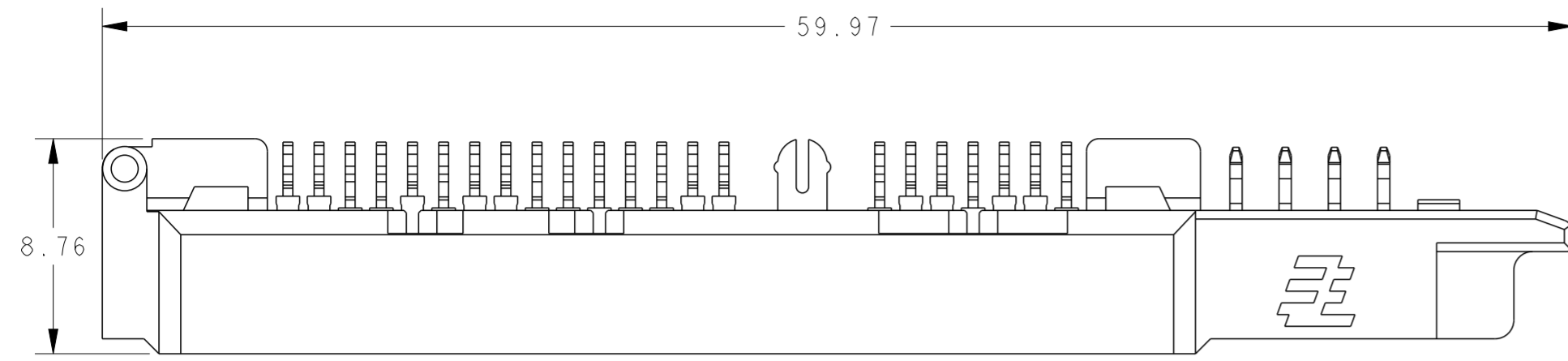
Email & Skype: info@chipsmall.com Web: www.chipsmall.com

Address: A1208, Overseas Decoration Building, #122 Zhenhua RD., Futian, Shenzhen, China

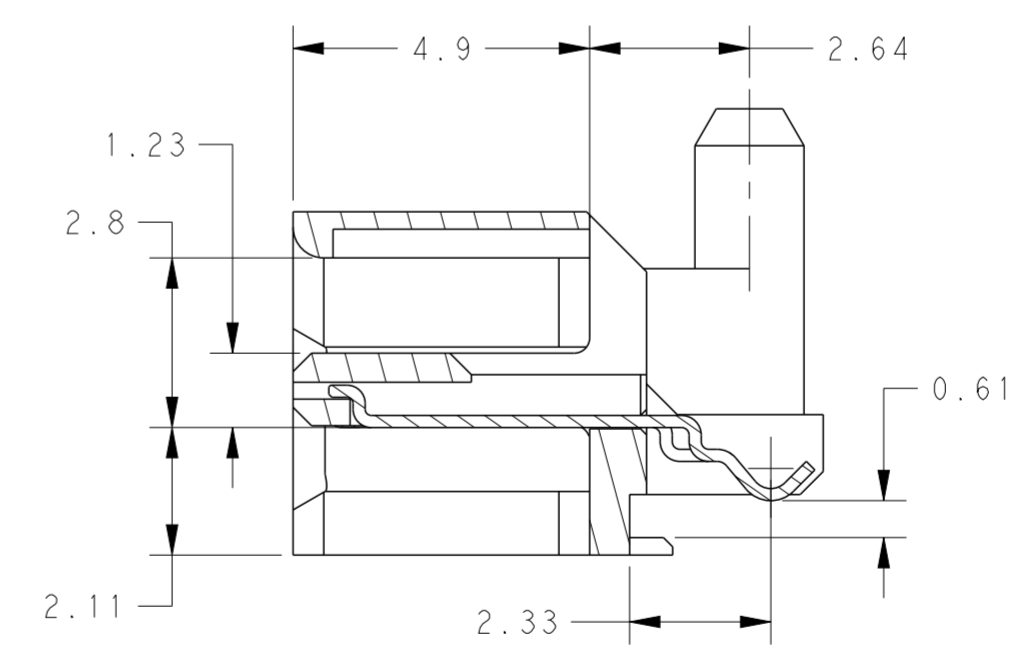
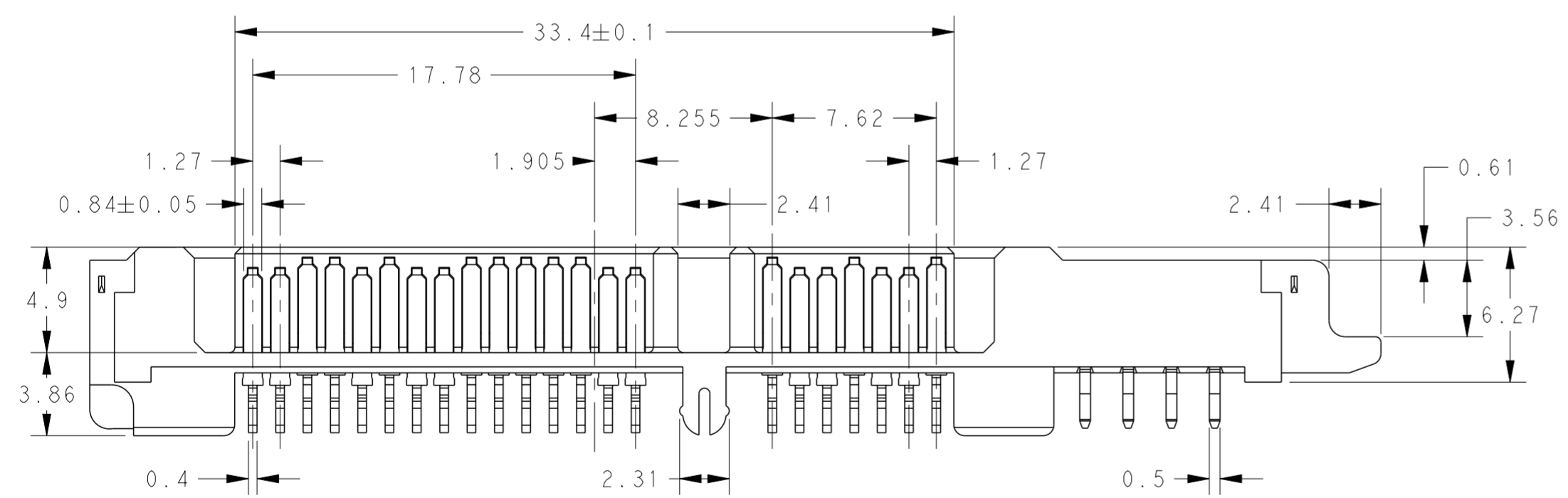
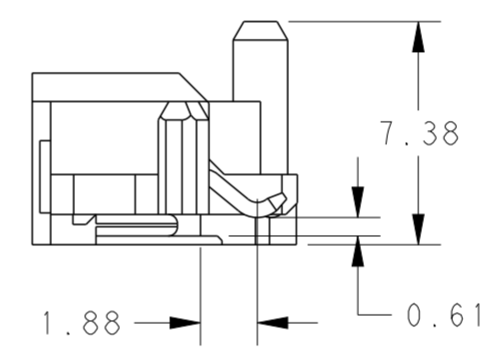
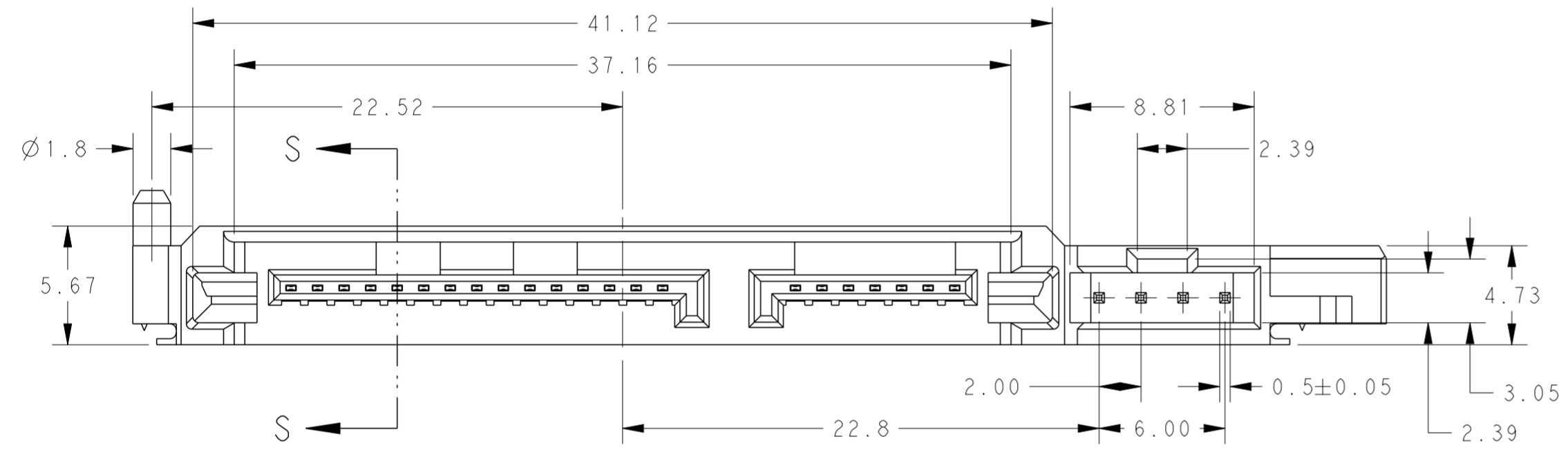


THIS DRAWING IS UNPUBLISHED. RELEASED FOR PUBLICATION 20
 © COPYRIGHT 20 BY - ALL RIGHTS RESERVED.

REVISIONS					
P	LTR	DESCRIPTION	DATE	DWN	APVD
G1		RELEASED	06FEB2014	W.C	V.P



RECOMMEND PCB LAYOUT
 TOLERANCE: ±0.1
 SCALE 4:1



SECTION S-S
 SCALE 8:1

- NOTES:
- MATERIAL:
 HOUSING: HIGH TEMPERATURE THERMOPLASTIC GLASS FILLED, UL94V-0, BLACK
 CONTACT: COPPER ALLOY
 SQ CONTACT: COPPER ALLPY
 - FINISH:
 CONTACT:
 0.00038mm MIN. AU PLATING ON CONTACT AREA
 0.00191mm MIN. TIN PLATING ON SOLDERING AREA
 0.00127mm MIN. NICKEL UNDERPLATING ALL OVER.
 SQ CONTACT:
 0.00012mm MIN. AU PLATING ON CONTACT AREA
 0.00191mm MIN. TIN PLATING ON SOLDERING AREA
 0.00127mm MIN. NICKEL UNDERPLATING ALL OVER.

THIS DRAWING IS A CONTROLLED DOCUMENT.		DWN W. CHEN 06FEB2014	TE Connectivity	
DIMENSIONS: mm		CHK V. PENG 06FEB2014		
TOLERANCES UNLESS OTHERWISE SPECIFIED:		APVD V. PENG 06FEB2014	NAME CONNECTOR, 2.5", SATA PLUG 15+7+4P	
0 PLC ±0.25		PRODUCT SPEC	SIZE A2	
1 PLC ±0.25		APPLICATION SPEC	CAGE CODE -	
2 PLC ±0.25		WEIGHT	DRAWING NO C-84998	
3 PLC ±0.25		CUSTOMER DRAWING	RESTRICTED TO	
4 PLC ±0.25		SCALE 4:1	SHEET 1 OF 1	
ANGLES ±5			REV G1	
FINISH				