



Chipsmall Limited consists of a professional team with an average of over 10 year of expertise in the distribution of electronic components. Based in Hongkong, we have already established firm and mutual-benefit business relationships with customers from,Europe,America and south Asia,supplying obsolete and hard-to-find components to meet their specific needs.

With the principle of “Quality Parts,Customers Priority,Honest Operation,and Considerate Service”,our business mainly focus on the distribution of electronic components. Line cards we deal with include Microchip,ALPS,ROHM,Xilinx,Pulse,ON,Everlight and Freescale. Main products comprise IC,Modules,Potentiometer,IC Socket,Relay,Connector.Our parts cover such applications as commercial,industrial, and automotives areas.

We are looking forward to setting up business relationship with you and hope to provide you with the best service and solution. Let us make a better world for our industry!



Contact us

Tel: +86-755-8981 8866 Fax: +86-755-8427 6832

Email & Skype: info@chipsmall.com Web: www.chipsmall.com

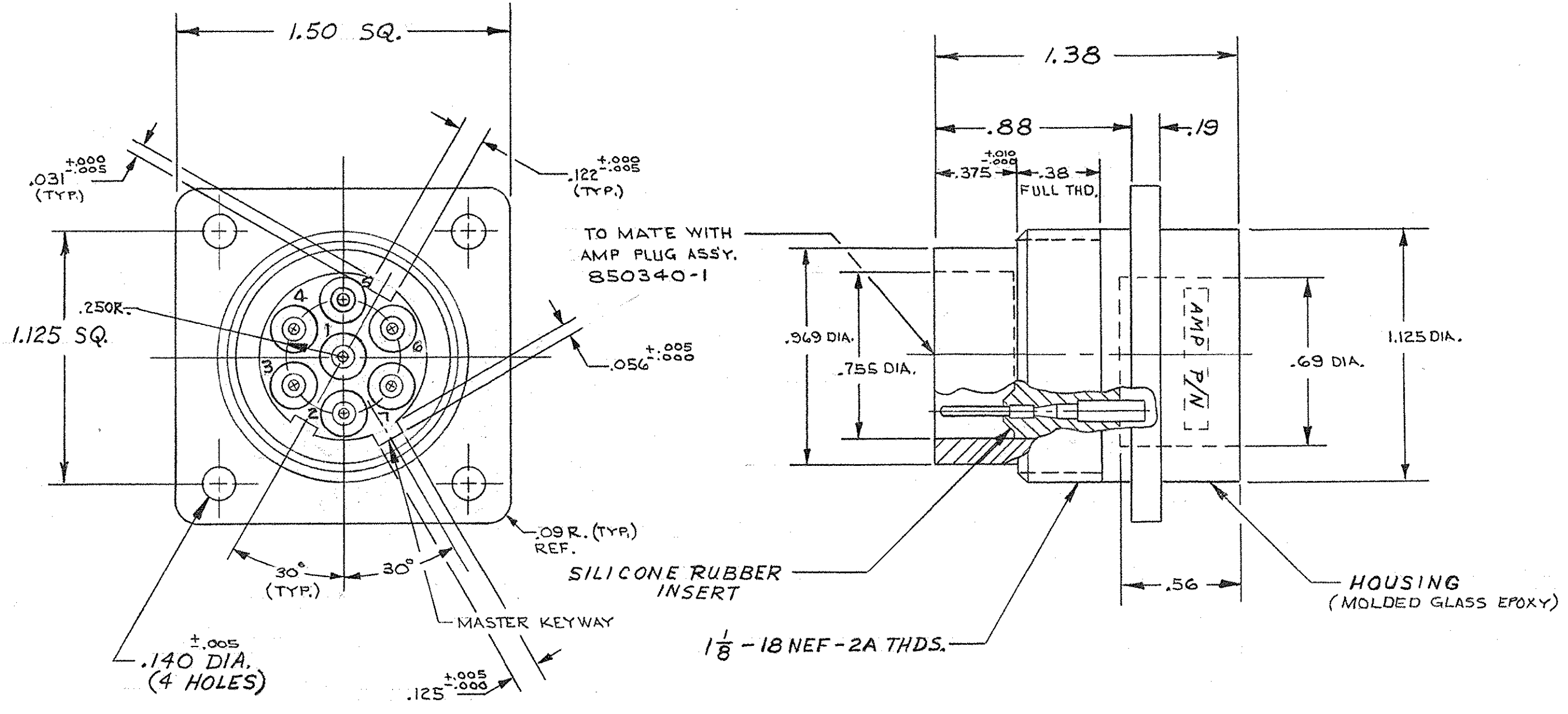
Address: A1208, Overseas Decoration Building, #122 Zhenhua RD., Futian, Shenzhen, China



© 1968 BY AMP INCORPORATED. ALL RIGHTS RESERVED. AMP PRODUCTS COVERED BY PATENTS AND/OR PATENTS PENDING.

THIS PRODUCT DESIGNED AND BUILT BY AMP INCORPORATED. NO LICENSE TO USE THAT DESIGN IN MANUFACTURE, OR TO USE ANY ISSUED OR PENDING PATENTS WHICH ARE INVOLVED, IS IMPLIED.

REVISIONS					
ZONE	LTR	DESCRIPTION	DATE	APPROVED	
	-	REF SD 252153			
C-4	A	REV. PIN NO'S	6-7-68	gms	gms
2-C	B	SHORTENED LENGTH OF THD.	10/20/68	6-17-68	gms
2-B, 2-C, 4-B	C	ADDED .69, .56, .09 R, 30° DIMS.	10/20/68	8-5-68	
2-C, 3-B, 3-C, 4-C	D	ADDED .031, .122, .056, .125, .250 R, .375, .38, .949, .755 DIMS.	10/20/68	9-19-68	gms



- NOTES:
- CUSTOMER TO ATTACH LEADS & ENCAPSULATE AGAINST BREAKDOWN.
 - PINS ARE #20 GA.
 - CONTACT NO'S. ARE MARKED ON RECP.

PART NO IS THIS DWG-1

QTY REQD	QTY REQD	ITEM NO.	DWG SIZE	PART OR IDENTIFYING NO.	NOMENCLATURE OR DESCRIPTION	SYMBOL
-2	-1				PARTS LIST	
UNLESS OTHERWISE SPECIFIED: DIMENSIONS ARE IN INCHES TOLERANCES .00 = ±.03 ANGLES = ±0°30' .000 = ±.010				CONTRACT NO. DR L. Geib 5-2-68		AMP INCORPORATED CAPITRON DIVISION ELIZABETHTOWN, PENNSYLVANIA
MATERIAL: SEE ABOVE				CHK		
FINISH: NATURAL				APPD		NAME 7 PIN RECEPTACLE WITH MOUNTING FLANGE (LGH)
NEXT ASSY				APPD		
NEXT ASSY				DSGN APPD		SIZE
USED ON				OTHER APPD		CODE IDENT NO.
QTY REQD				APPLICATION		NUMBER
						C 00779
						850341
						SCALE
						WT
						SHEET 10/1