



Chipsmall Limited consists of a professional team with an average of over 10 year of expertise in the distribution of electronic components. Based in Hongkong, we have already established firm and mutual-benefit business relationships with customers from,Europe,America and south Asia,supplying obsolete and hard-to-find components to meet their specific needs.

With the principle of "Quality Parts,Customers Priority,Honest Operation,and Considerate Service",our business mainly focus on the distribution of electronic components. Line cards we deal with include Microchip,ALPS,ROHM,Xilinx,Pulse,ON,Everlight and Freescale. Main products comprise IC,Modules,Potentiometer,IC Socket,Relay,Connector.Our parts cover such applications as commercial,industrial, and automotives areas.

We are looking forward to setting up business relationship with you and hope to provide you with the best service and solution. Let us make a better world for our industry!



Contact us

Tel: +86-755-8981 8866 Fax: +86-755-8427 6832

Email & Skype: info@chipsmall.com Web: www.chipsmall.com

Address: A1208, Overseas Decoration Building, #122 Zhenhua RD., Futian, Shenzhen, China

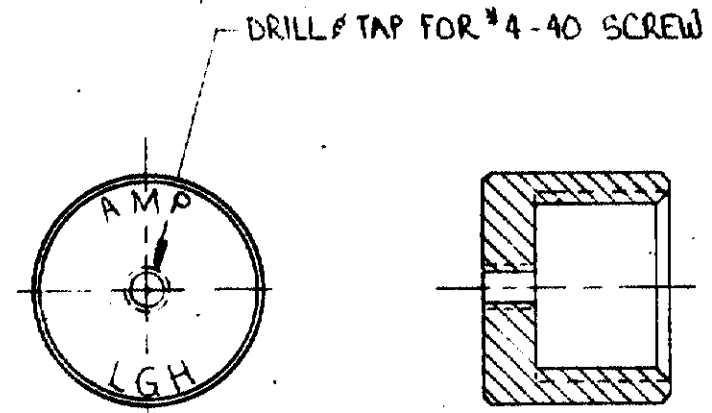
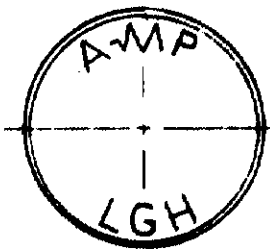
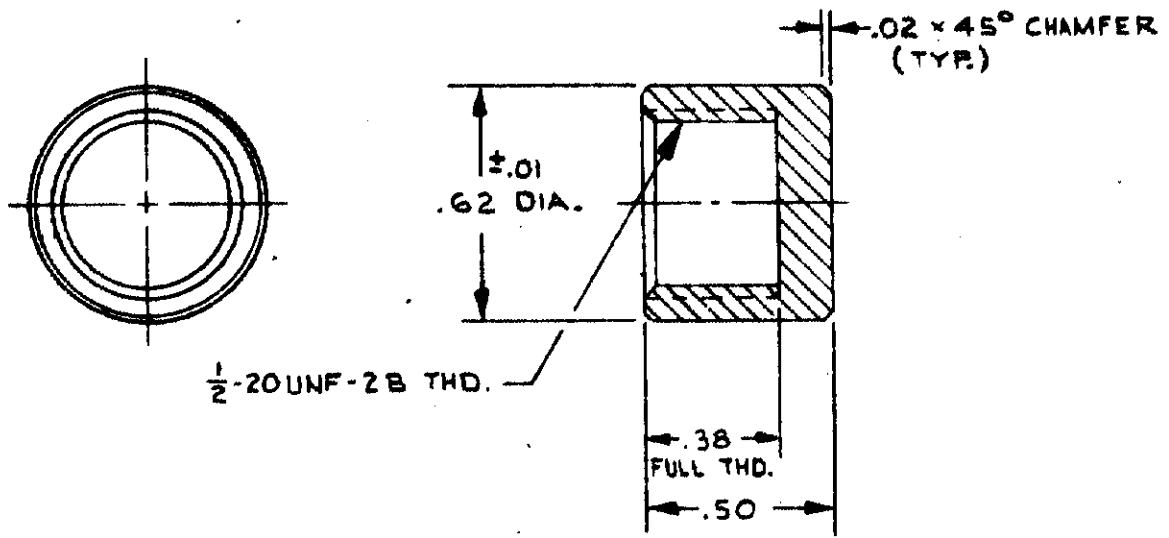


© 1968 BY AMP INCORPORATED. ALL RIGHTS RESERVED. AMP PRODUCTS COVERED BY PATENTS AND/OR PATENTS PENDING.

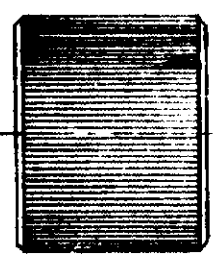
THIS PRODUCT DESIGNED AND BUILT BY AMP INCORPORATED. NO LICENSE TO USE THAT DESIGN OR MANUFACTURE, OR TO USE ANY ISSUED OR PENDING PATENTS WHICH ARE INVOLVED, IS IMPLIED.

850513

| REVISIONS | | | | |
|-----------|-----|-----------------------|-----------|----------|
| ZONE | LTR | DESCRIPTION | DATE | APPROVED |
| | A | ADDED -2 | RN 9/6/87 | |
| | B | OBSOLETE -2 ECN 53630 | 1-29-87 | JM |



OBSOLETE 850513-2 SAME AS -1 EXCEPT: #4-40 HOLE, DRILLED & TAPPED



| QTY REQD | QTY REQD | ITEM NO. | DWG SIZE | PART OR IDENTIFYING NO. | NOMENCLATURE OR DESCRIPTION | SYMBOL |
|----------|----------|----------|----------|-------------------------|-----------------------------|--------|
| -2 | -1 | | | | | |

| | | | | | | |
|--|-------------------------|--|---|--------------------------------|-------------------------|--------------|
| UNLESS OTHERWISE SPECIFIED: DIMENSIONS ARE IN INCHES TOLERANCES .00 = ±.02 ANGLES = ±2° .000 = ± | | CONTRACT NO. DR <i>ECralt 6-27-68</i> | AMP AMP INCORPORATED CAPITRON DIVISION, ELIZABETHTOWN, PENNSYLVANIA | | | |
| MATERIAL: <i>Aluminum</i> | APPD <i>[Signature]</i> | NAME LGH-1 & IL CAP (DUST COVER) | | | | |
| FINISH: GREEN | DSGN APPD | OTHER APPD | SIZE B | | | |
| NEXT ASSY | FINAL ASSY | NEXT ASSY | USED ON | CODE IDENT NO. 00779 | NUMBER 850513 | |
| QTY REQD | APPLICATION | | | SCALE 2:1 | WT | SHEET 1 OF 1 |

CUSTOMER DRAWING

PRINT DIST