



Chipsmall Limited consists of a professional team with an average of over 10 year of expertise in the distribution of electronic components. Based in Hongkong, we have already established firm and mutual-benefit business relationships with customers from,Europe,America and south Asia,supplying obsolete and hard-to-find components to meet their specific needs.

With the principle of "Quality Parts,Customers Priority,Honest Operation,and Considerate Service",our business mainly focus on the distribution of electronic components. Line cards we deal with include Microchip,ALPS,ROHM,Xilinx,Pulse,ON,Everlight and Freescale. Main products comprise IC,Modules,Potentiometer,IC Socket,Relay,Connector.Our parts cover such applications as commercial,industrial, and automotives areas.

We are looking forward to setting up business relationship with you and hope to provide you with the best service and solution. Let us make a better world for our industry!



Contact us

Tel: +86-755-8981 8866 Fax: +86-755-8427 6832

Email & Skype: info@chipsmall.com Web: www.chipsmall.com

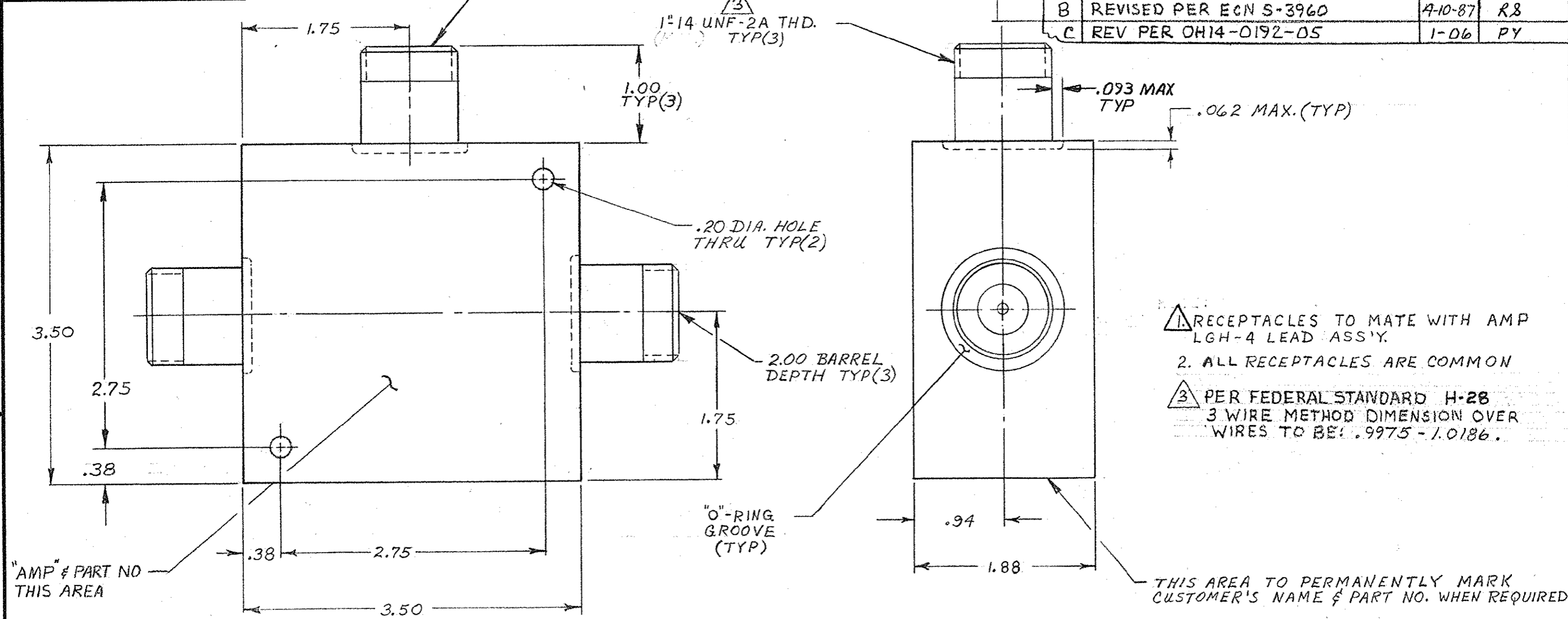
Address: A1208, Overseas Decoration Building, #122 Zhenhua RD., Futian, Shenzhen, China



DRAWING MADE IN AMERICAN PROJECTION

© 1968 BY AMP INCORPORATED. ALL RIGHTS RESERVED. AMP PRODUCTS COVERED BY PATENTS AND/OR PATENTS PENDING.

REVISIONS				
ZONE	LTR	DESCRIPTION	DATE	APPROVED
	-	REF SD 25855	7-22-68	
A		REVISED CUSTOMER MARKING NOTE LMS	10-15-73	JPA
B		REVISED PER ECN S-3960	4-10-87	RS
C		REV PER OH14-0192-05	1-06	PY



QTY REQD	QTY REQD	ITEM NO.	DWG SIZE	PART OR IDENTIFYING NO.	NOMENCLATURE OR DESCRIPTION	SYMBOL
-2	-1					

PART NO	DESCRIPTION
5-850554-1	AS SHOWN, TIN PLATED PINS
850554-1	AS SHOWN, TIN-LEAD PLATED PINS

NEXT ASSY	FINAL ASSY	NEXT ASSY	USED ON

UNLESS OTHERWISE SPECIFIED:
 DIMENSIONS ARE IN INCHES
 TOLERANCES
 .00 ± .04 ANGLES
 .000 ± .015

CONTRACT NO.
 DR *L. J. Gib* 7-22-68
 CHK
 APPD
 APPD
 DSGN APPD *J. W. Shaw* 7-25-68
 OTHER APPD

MATERIAL:
 EPOXY

FINISH:
 NATURAL

AMP AMP INCORPORATED
 CAPITRON DIVISION
 ELIZABETHTOWN, PENNSYLVANIA

NAME
 "T" CONNECTOR
 LGH-4

SIZE **B** CODE IDENT NO. 00779 NUMBER 850554

SCALE *H* WT SHEET 1 OF 1