



Chipsmall Limited consists of a professional team with an average of over 10 year of expertise in the distribution of electronic components. Based in Hongkong, we have already established firm and mutual-benefit business relationships with customers from,Europe,America and south Asia,supplying obsolete and hard-to-find components to meet their specific needs.

With the principle of “Quality Parts,Customers Priority,Honest Operation,and Considerate Service”,our business mainly focus on the distribution of electronic components. Line cards we deal with include Microchip,ALPS,ROHM,Xilinx,Pulse,ON,Everlight and Freescale. Main products comprise IC,Modules,Potentiometer,IC Socket,Relay,Connector.Our parts cover such applications as commercial,industrial, and automotives areas.

We are looking forward to setting up business relationship with you and hope to provide you with the best service and solution. Let us make a better world for our industry!



## Contact us

Tel: +86-755-8981 8866 Fax: +86-755-8427 6832

Email & Skype: info@chipsmall.com Web: www.chipsmall.com

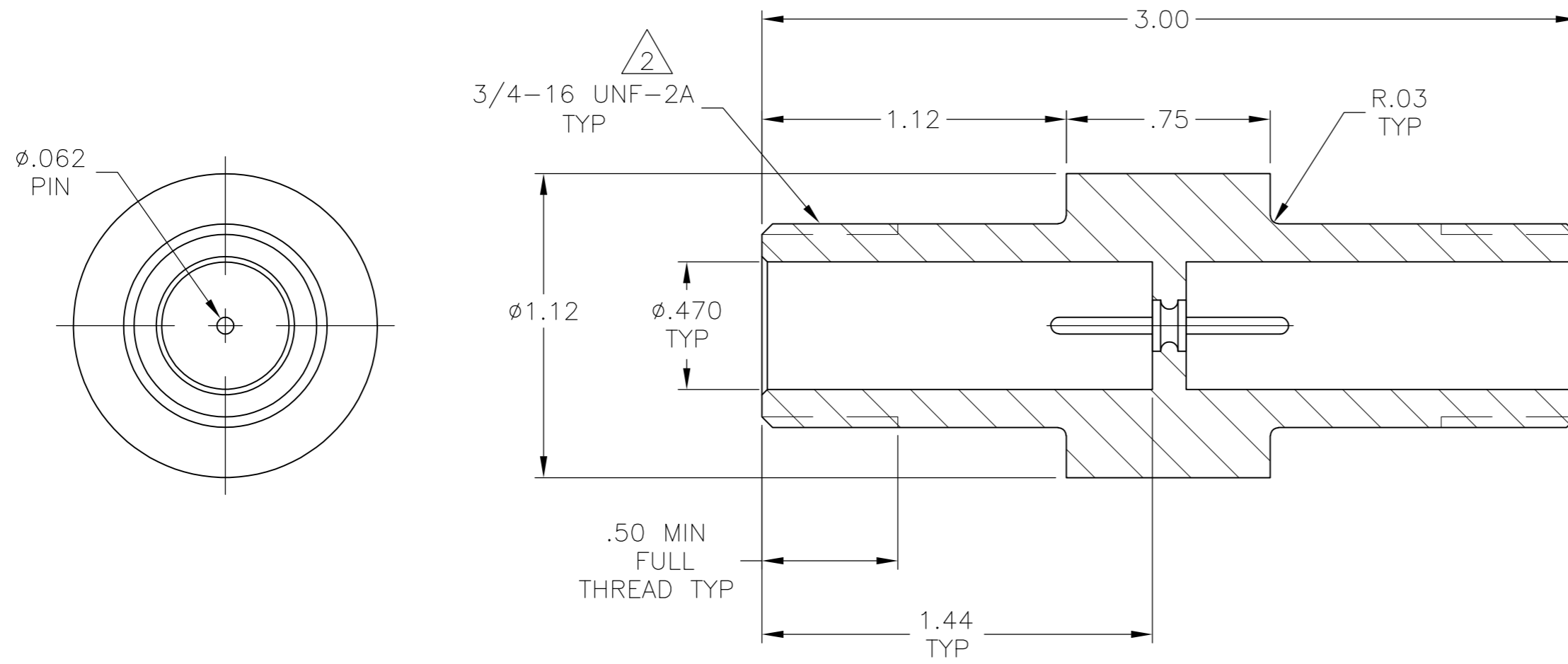
Address: A1208, Overseas Decoration Building, #122 Zhenhua RD., Futian, Shenzhen, China



THIS DRAWING IS UNPUBLISHED. RELEASED FOR PUBLICATION  
 © COPYRIGHT - By - ALL RIGHTS RESERVED.

LOC		DIST		REVISIONS			
P	LTR	DESCRIPTION	DATE	DWN	APVD		
	G	ECO-13-003801	3-13-13	MS	DE		

- RECEPTACLE TO MATE WITH AMP LGH-2 LEAD ASSEMBLY AVAILABLE SEPARATELY.
- PER FEDERAL STANDARD H-28 3 WIRE METHOD. DIMENSION OVER WIRES TO BE .7474-.7654.



OBSOLETE	850555-2	RECEPTACLE (TERMINAL MOUNT ASSY. GOLD PLATED)
	850555-1	RECEPTACLE (TERMINAL MOUNT ASSY. TIN PLATED)
	PART NUMBER	DESCRIPTION

THIS DRAWING IS A CONTROLLED DOCUMENT.		DWN	M. SCHEIDLER	3-13-13		TE Connectivity							
DIMENSIONS: INCHES		CHK	D. EABY	3-13-13		NAME							
TOLERANCES UNLESS OTHERWISE SPECIFIED:		APVD	D. EABY	3-13-13		RECEPTACLE, FEED-THRU							
0 PLC ± - 1 PLC ± - 2 PLC ± .03 3 PLC ± .005 4 PLC ± - ANGLES ± -		PRODUCT SPEC		FOR SPLICE APPLICATIONS LGH-2									
MATERIAL: GLASS EPOXY MOLDED		FINISH: BLACK		WEIGHT	-	SIZE	A2	CAGE CODE	00779	DRAWING NO	C=850555	RESTRICTED TO	-
CUSTOMER DRAWING				SCALE	4:1	SHEET	1 of 1	REV	G				

850555