



Chipsmall Limited consists of a professional team with an average of over 10 year of expertise in the distribution of electronic components. Based in Hongkong, we have already established firm and mutual-benefit business relationships with customers from,Europe,America and south Asia,supplying obsolete and hard-to-find components to meet their specific needs.

With the principle of “Quality Parts,Customers Priority,Honest Operation,and Considerate Service”,our business mainly focus on the distribution of electronic components. Line cards we deal with include Microchip,ALPS,ROHM,Xilinx,Pulse,ON,Everlight and Freescale. Main products comprise IC,Modules,Potentiometer,IC Socket,Relay,Connector.Our parts cover such applications as commercial,industrial, and automotives areas.

We are looking forward to setting up business relationship with you and hope to provide you with the best service and solution. Let us make a better world for our industry!



## Contact us

Tel: +86-755-8981 8866 Fax: +86-755-8427 6832

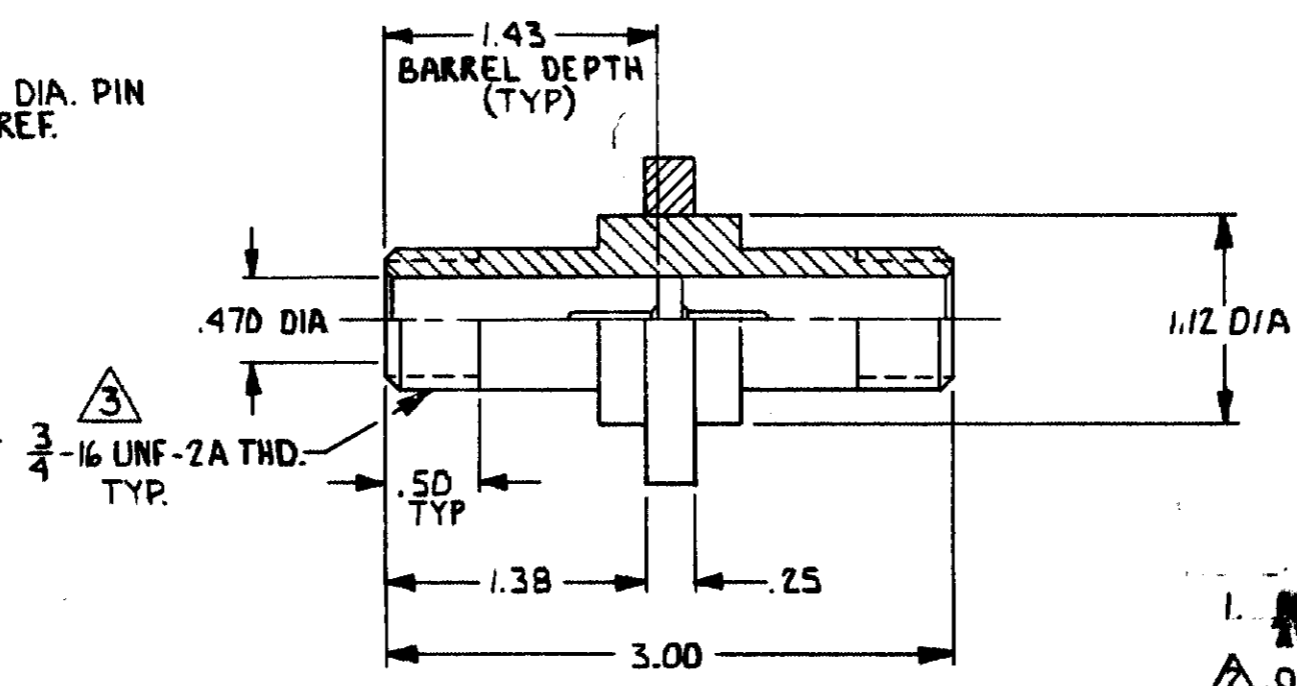
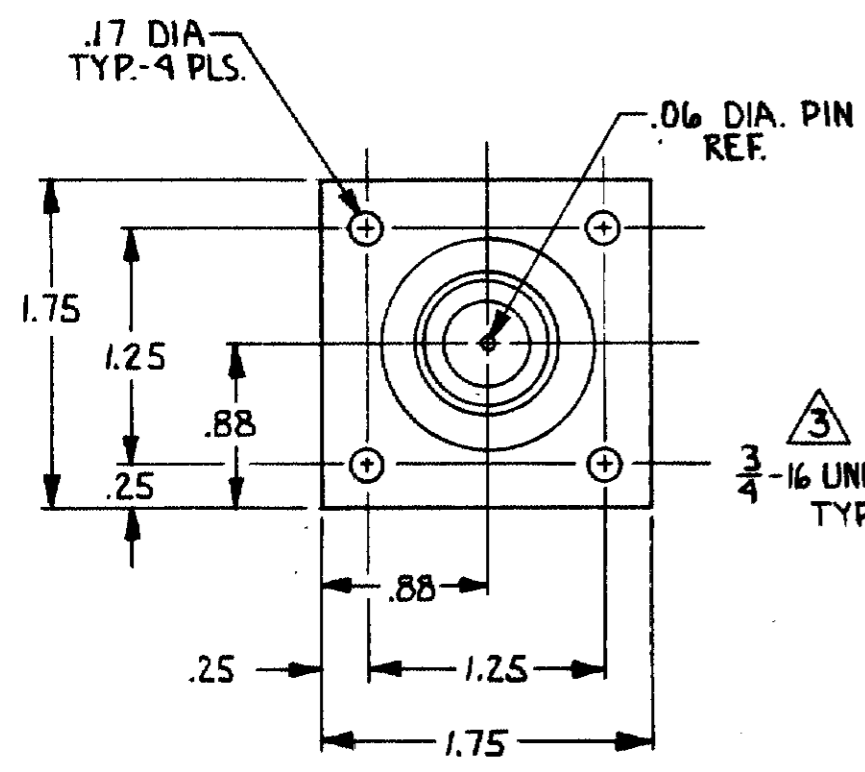
Email & Skype: info@chipsmall.com Web: www.chipsmall.com

Address: A1208, Overseas Decoration Building, #122 Zhenhua RD., Futian, Shenzhen, China



© COPYRIGHT 1968 BY AMP INCORPORATED, HARRISBURG, PA.  
 ALL INTERNATIONAL RIGHTS RESERVED. AMP INCORPORATED PRODUCTS  
 COVERED BY U.S. AND FOREIGN PATENTS AND/OR PATENTS PENDING.

REVISIONS						
P	F	ZONE	LTR	DESCRIPTION	DATE	APPROVED
	✓		B	REDRAWN	9-13-79	M.S.
	✓		C	OBSOLETED -2 ECN 53622	11-13-86	R.B.
	✓		D	REV PER E.C.N. S-3960	4-13-87	R.B.



- 1. RECEPTACLE TO MATE WITH AMP LGH-2 LEAD ASSEMBLY AVAILABLE SEPARATELY.
- △ OBSOLETE PART NUMBER.
- △ PER FEDERAL STANDARD H-28 3WIRE METHOD. DIMENSION OVER WIRES TO BE: .7474-.7654.

				UNLESS OTHERWISE SPECIFIED DIMENSIONS ARE IN INCHES. TOLERANCES: .00 ± .03 .000 ± .015 ANGLES ±		CONTRACT NO		PART NO	
				MATERIAL		DR <i>A. Magan</i> 9-13-79		AMP INCORPORATED Elizabethtown, Pa.	
				FINISH		CHK		NAME	
				GLASS EPOXY		APPD <i>M. Mauldin</i> 9/13/79		LGH-2 RECEPTACLE (FOR BULKHEAD APPLICATION)	
				NATURAL		APPD		SIZE	
						DESIGN APPD <i>J.W. Gray</i> 9/30/68		CODE IDENT NO	
						OTHER APPD		DRAWING NO	
P/N		DESCRIPTION		NEXT ASSY		FINAL ASSY		B 00779	
850735-2		RECEPTACLE (PIN-GOLD PLATED)						850735	
850735-1		RECEPTACLE (PIN-TIN PLATED)						SCALE 1:1	
				NEXT ASSY		USED ON		SHEET 1 OF 1	
				QTY REQD		APPLICATION			