



Chipsmall Limited consists of a professional team with an average of over 10 year of expertise in the distribution of electronic components. Based in Hongkong, we have already established firm and mutual-benefit business relationships with customers from,Europe,America and south Asia,supplying obsolete and hard-to-find components to meet their specific needs.

With the principle of “Quality Parts,Customers Priority,Honest Operation,and Considerate Service”,our business mainly focus on the distribution of electronic components. Line cards we deal with include Microchip,ALPS,ROHM,Xilinx,Pulse,ON,Everlight and Freescale. Main products comprise IC,Modules,Potentiometer,IC Socket,Relay,Connector.Our parts cover such applications as commercial,industrial, and automotives areas.

We are looking forward to setting up business relationship with you and hope to provide you with the best service and solution. Let us make a better world for our industry!



Contact us

Tel: +86-755-8981 8866 Fax: +86-755-8427 6832

Email & Skype: info@chipsmall.com Web: www.chipsmall.com

Address: A1208, Overseas Decoration Building, #122 Zhenhua RD., Futian, Shenzhen, China

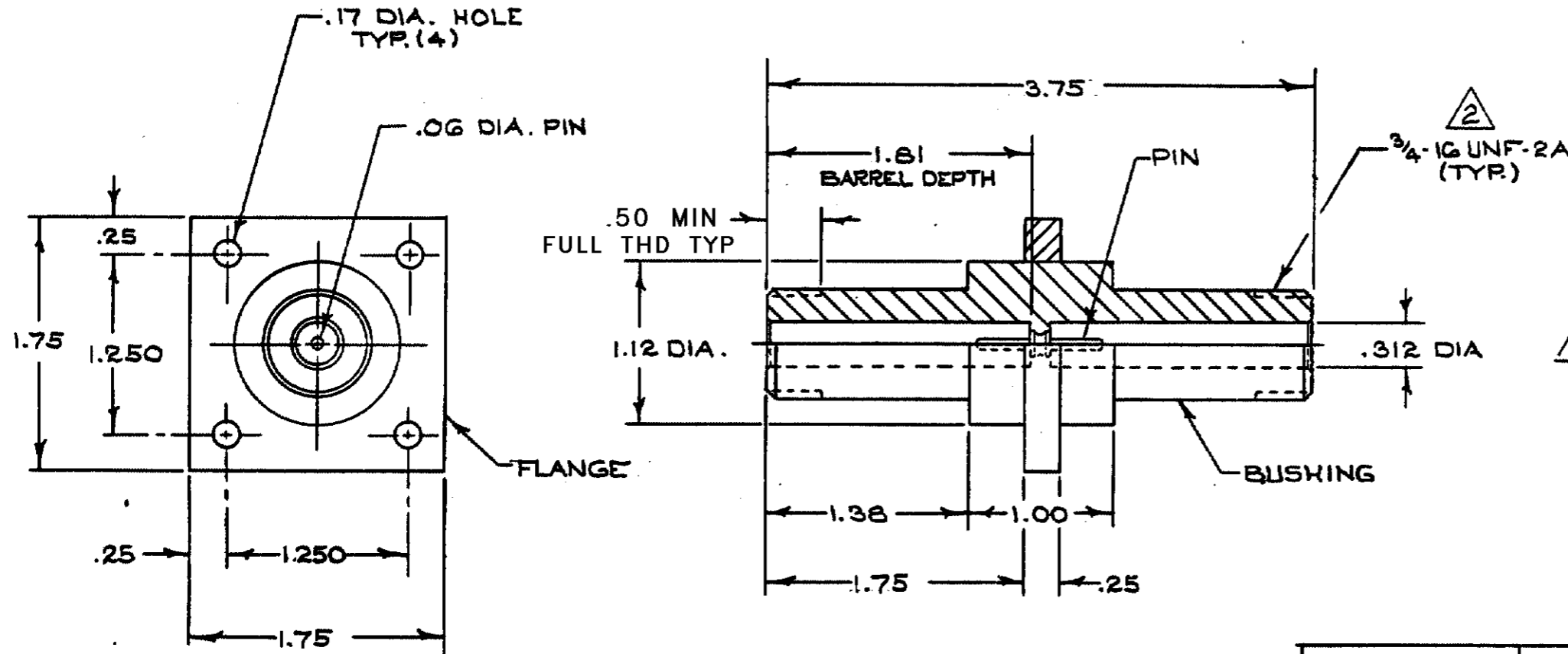


© COPYRIGHT 1973 BY AMP INCORPORATED, HARRISBURG, PA. ALL INTERNATIONAL RIGHTS RESERVED.

Unpublished copy not to be reproduced or published without written permission of AMP Incorporated

THIS PRODUCT DESIGNED AND BUILT BY AMP INCORPORATED. NO LICENSE TO USE THAT DESIGN IN MANUFACTURE, OR TO USE ANY ISSUED OR PENDING PATENTS WHICH ARE INVOLVED, IS IMPLIED.

REVISIONS				
ZONE	LTR	DESCRIPTION	DATE	APPROVED
	A	REV. & REDRAWN	6-4-73	Ken K.
✓	B	OBSOLETE -2 ECN 53630	1-29-87	JM
	C	REV PER ECN S-3960	4-12-87	R8
	D	REACTIVATE -2 DF-7279 CT	2-93	DE 2/11/93
	E	ECO-10-007742 PY	4-10	DE



1 RECEPTACLE TO MATE WITH AMP LGH -3 LEAD ASSEMBLY, AVAILABLE SEPARATELY.
 2 PER FEDERAL STANDARD H-2B 3 WIRE METHOD. DIMENSION OVER WIRES TO BE: .7474 - .7654.

850909-2	AS SHOWN WITH GOLD PLATED PIN
850909-1	AS SHOWN WITH TIN PLATED PIN

QTY REQD	QTY REQD	ITEM NO	DWG SIZE	PART OR IDENTIFYING NO	NOMENCLATURE OR DESCRIPTION	SYMBOL
-2	-1					

UNLESS OTHERWISE SPECIFIED: DECIMALS } .00 = ±.02 .000 = ±.005 ANGLES = ± HOLES } UNDER .251 = .251 TO .500 = OVER .500 = DIMENSIONS ARE IN INCHES				CONTRACT NO		AMP INCORPORATED Elizabethtown, Pa.	
MATERIAL MOLDED GLASS EPOXY				DR L. GEIB 6-10-69			
FINISH BLACK				APPD		SIZE B	
NEXT ASSY				DGSN APPD J.W. GAW 6-12-69		CODE IDENT NO 89110	
FINAL ASSY				OTHER APPD		NUMBER 850909	
NEXT ASSY						REV E	
USED ON						SCALE	
QTY REQD				APPLICATION		WT	
						SHEET OF	

DO NOT SCALE PRINT

PRINT DIST