



Chipsmall Limited consists of a professional team with an average of over 10 year of expertise in the distribution of electronic components. Based in Hongkong, we have already established firm and mutual-benefit business relationships with customers from,Europe,America and south Asia,supplying obsolete and hard-to-find components to meet their specific needs.

With the principle of "Quality Parts,Customers Priority,Honest Operation,and Considerate Service",our business mainly focus on the distribution of electronic components. Line cards we deal with include Microchip,ALPS,ROHM,Xilinx,Pulse,ON,Everlight and Freescale. Main products comprise IC,Modules,Potentiometer,IC Socket,Relay,Connector.Our parts cover such applications as commercial,industrial, and automotives areas.

We are looking forward to setting up business relationship with you and hope to provide you with the best service and solution. Let us make a better world for our industry!



Contact us

Tel: +86-755-8981 8866 Fax: +86-755-8427 6832

Email & Skype: info@chipsmall.com Web: www.chipsmall.com

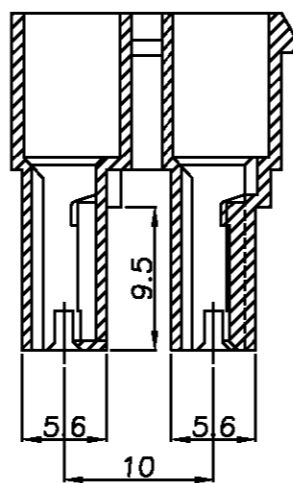
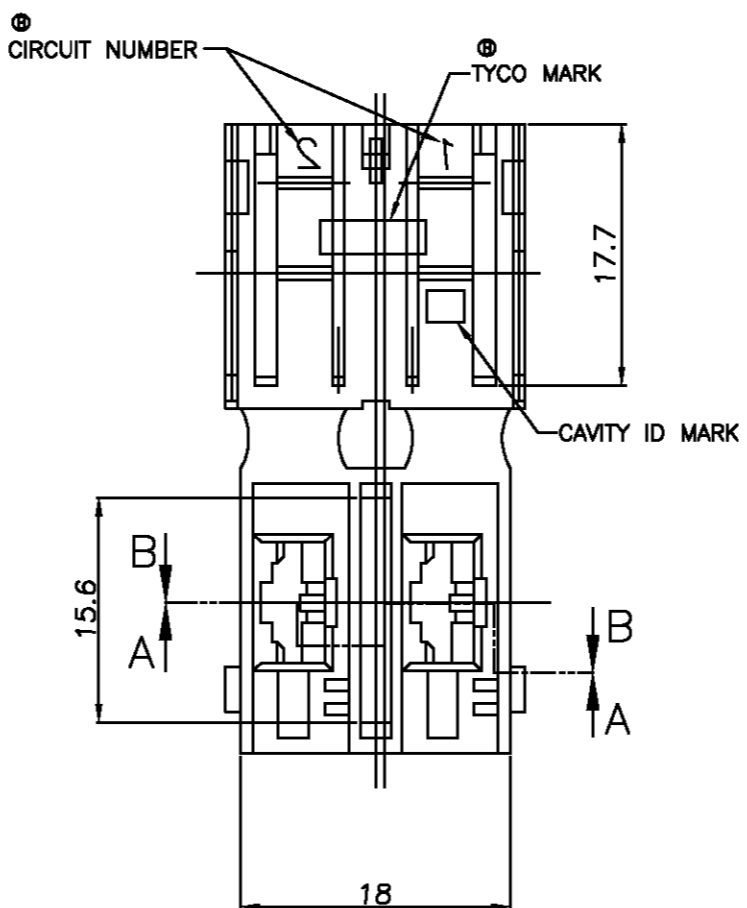
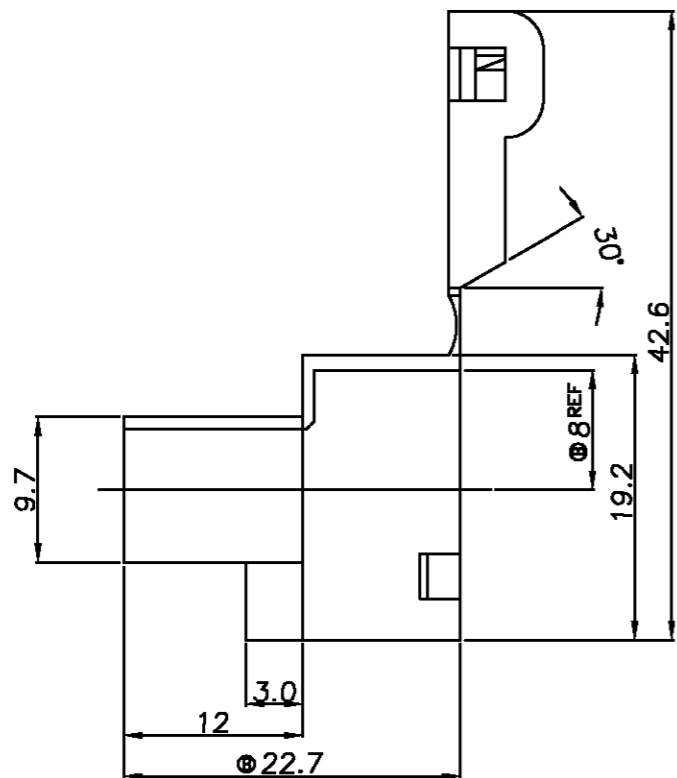
Address: A1208, Overseas Decoration Building, #122 Zhenhua RD., Futian, Shenzhen, China



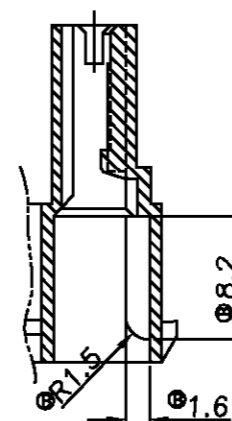
THIS DRAWING IS UNPUBLISHED. RELEASED FOR PUBLICATION

© COPYRIGHT BY TYCO ELECTRONICS CORPORATION. ALL RIGHTS RESERVED.

LOC	DIST	REVISIONS					
		P	LTR	DESCRIPTION	DATE	DWN	APVD
DS			O	RELEASED	JAN/27/94	EH	CS
			A	REVISED(FC00-0038-02)	FEB/26/02	BW	CS
			B	REVISED(FC00-0131-03)	SEP/05/'03	BH	CS



SECT. A-A



SECT. B-B

NOTE:

1. APPLICABLE CONTACT P/N
936603-1, 936604-1, 936605-1
2. PRODUCT SPEC. ; 108-5162
3. INSTRUCTION SHEET ; IS-212J.

GREEN	85091-4
YELLOW	85091-3
BLUE	85091-2
NATURAL	85091-1
COLOR	P/N

THIS DRAWING IS A CONTROLLED DOCUMENT FOR TYCO ELECTRONICS CORPORATION. IT IS SUBJECT TO CHANGE AND THE CONTROLLING ENGINEERING ORGANIZATION SHOULD BE CONTACTED FOR THE LATEST REVISION.

DWN : BH CHO				AMP KOREA. kyungsan, korea	
CHK : BW KANG				NAME "250" SER.FLAG POSITIVE LOCK HSG FOR LAYOUT	
APVD : CS LEE		PRODUCT SPEC		SIZE	
APPLICATION SPEC		APPLICATION SPEC		CAGE CODE	
WEIGHT		DRAWING NO		RESTRICTED TO	
DIMENSIONS: MM		TOLERANCES UNLESS OTHERWISE SPECIFIED: 0 <XX<10 ± 0.2 10 <XX<30 ± 0.25 30 <XX ± 0.3 ANGLES ± 3°		A3 00779C= 85091	
3rd ANGLE PROJECTION		MATERIAL 6/6 NYLON		SCALE 2/1 SHEET 1 OF 1 REV B	