



Chipsmall Limited consists of a professional team with an average of over 10 year of expertise in the distribution of electronic components. Based in Hongkong, we have already established firm and mutual-benefit business relationships with customers from,Europe,America and south Asia,supplying obsolete and hard-to-find components to meet their specific needs.

With the principle of “Quality Parts,Customers Priority,Honest Operation,and Considerate Service”,our business mainly focus on the distribution of electronic components. Line cards we deal with include Microchip,ALPS,ROHM,Xilinx,Pulse,ON,Everlight and Freescale. Main products comprise IC,Modules,Potentiometer,IC Socket,Relay,Connector.Our parts cover such applications as commercial,industrial, and automotives areas.

We are looking forward to setting up business relationship with you and hope to provide you with the best service and solution. Let us make a better world for our industry!



Contact us

Tel: +86-755-8981 8866 Fax: +86-755-8427 6832

Email & Skype: info@chipsmall.com Web: www.chipsmall.com

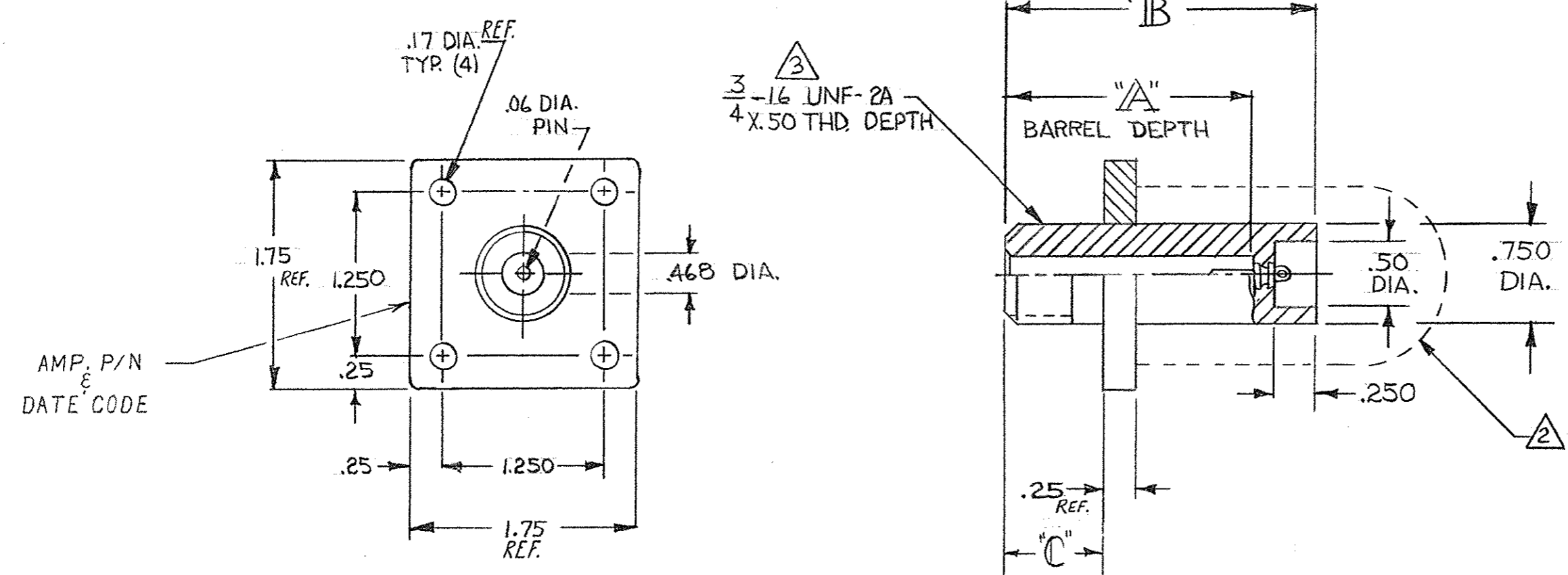
Address: A1208, Overseas Decoration Building, #122 Zhenhua RD., Futian, Shenzhen, China



© COPYRIGHT 1969 BY AMP INCORPORATED, HARRISBURG, PA.
ALL INTERNATIONAL RIGHTS RESERVED. AMP INCORPORATED PRODUCTS
COVERED BY U. S. AND FOREIGN PATENTS AND/OR PATENTS PENDING.

UNPUBLISHED COPY NOT TO BE
REPRODUCED NOR PUBLISHED
WITHOUT WRITTEN PERMISSION
OF AMP INCORPORATED.

REVISIONS						
P	F	ZONE	LTR	DESCRIPTION	DATE	APPROVED
			B	REVISED & REDRAWN	LAB 10-12-73	LPA
			C	REV "C" DIM PER ECN 4118	11-18-73	RE J.M.
			D	ADDED AMP P/N & DATE CODE	8-23-76	M.B.
			E	ADDED ±.010 TO "C" DIM	10/31/77	M.B.
			F	ADDED REF. TO .17 DIA. & 1.75 ±.25	12-1-77	M.B.
			G	UP-DATED ECN 8357	8-23-78	M.B.
			H	OBSOLETE -2 ECN 53622	11-18-86	R.S.
			J	REV PER ECN S-3960	4-13-87	R.S.
			K	REV PER DF-2688	1/8/90	Ran Baby
			L	REV PER OH14-0192-05	1-06	PY



PART NO.	"A"	"B"	"C"	TERM. CONTACT PLATING		
				TIN-LEAD	GOLD	TIN
850910-1	1.43	1.812	.562	X		
850910-2	1.43	1.812	.562		X	
5-850910-1	1.43	1.812	.562			X

- 1. RECEPTACLE TO MATE WITH AMP LGH 2 LEAD ASSEMBLY, AVAILABLE SEPARATELY.
- 2. CUSTOMER MUST PROTECT THE RECEPTACLES BACK END AGAINST ARC OVER & BREAKDOWN.
- 3. PER FEDERAL STANDARD H-28 3 WIRE METHOD. DIMENSION OVER WIRES TO BE: .7474-.7654.

				UNLESS OTHERWISE SPECIFIED DIMENSIONS ARE IN INCHES. TOLERANCES: .00 ±.04 .000 ±.015 ANGLES ±		CONTRACT NO DR D.E. CRABB 1-30-69		PART NO	
				MATERIAL MOLDED GLASS EPOXY (BLACK)		CHK		AMP INCORPORATED Elizabethtown, Pa.	
				FINISH		APPD J.W.GAW 1-31-69		NAME FLANGED RECEPTACLE (FOR BULKHEAD APPLICATION)	
NEXT ASSY		FINAL ASSY		NEXT ASSY		USED ON		DSGN APPD	
QTY REQD		APPLICATION		OTHER APPD		SCALE		WT	
						C 00779		NUMBER 850910	
						SHEET		1 OF 1	