



Chipsmall Limited consists of a professional team with an average of over 10 year of expertise in the distribution of electronic components. Based in Hongkong, we have already established firm and mutual-benefit business relationships with customers from,Europe,America and south Asia,supplying obsolete and hard-to-find components to meet their specific needs.

With the principle of “Quality Parts,Customers Priority,Honest Operation,and Considerate Service”,our business mainly focus on the distribution of electronic components. Line cards we deal with include Microchip,ALPS,ROHM,Xilinx,Pulse,ON,Everlight and Freescale. Main products comprise IC,Modules,Potentiometer,IC Socket,Relay,Connector.Our parts cover such applications as commercial,industrial, and automotives areas.

We are looking forward to setting up business relationship with you and hope to provide you with the best service and solution. Let us make a better world for our industry!



Contact us

Tel: +86-755-8981 8866 Fax: +86-755-8427 6832

Email & Skype: info@chipsmall.com Web: www.chipsmall.com

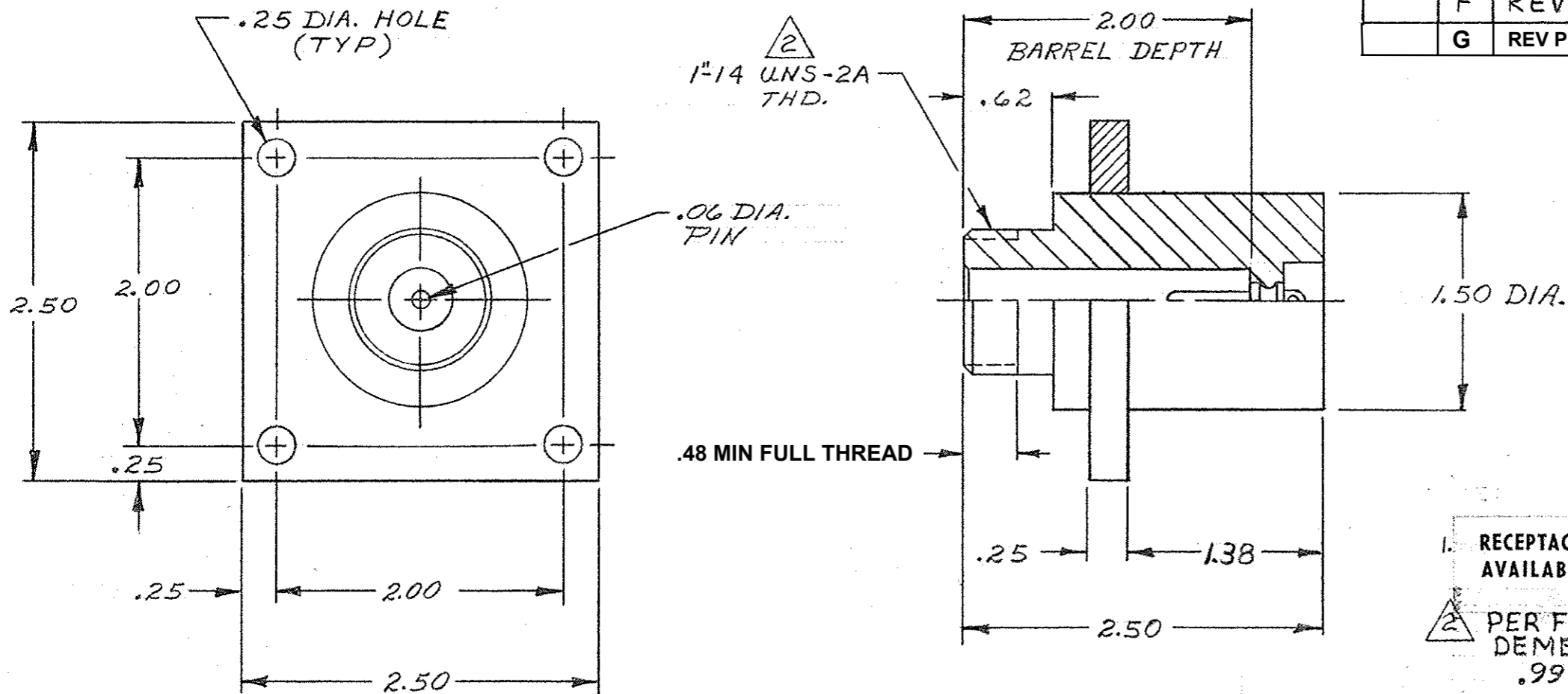
Address: A1208, Overseas Decoration Building, #122 Zhenhua RD., Futian, Shenzhen, China



©1969 BY AMP INCORPORATED. ALL RIGHTS RESERVED. AMP PRODUCTS COVERED BY PATENTS AND/OR PATENTS PENDING.

THIS PRODUCT DESIGNED AND BUILT BY AMP INCORPORATED. NO LICENSE TO USE THAT DESIGN IN MANUFACTURE, OR TO USE ANY ISSUED OR PENDING PATENTS WHICH ARE INVOLVED, IS IMPLIED.

REVISIONS				
ZONE	LTR	DESCRIPTION	DATE	APPROVED
	A	REV. NOTE 1	LAB 10-15-73	LPA
	B	REVISED	DS 10-13-76	M.S.
	C	REV. PER E.C.N. 8691	AG 3-5-79	M.S.
	D	OBSOLETE - 2 ECN 53622	11-13-86	R.S.
	E	REVISED PER ECN S-3960	4-10-87	R.S.
	F	REV PER OH14-0192-05	1-06	PY
	G	REV PER ECO-12-009412	PY 6-21-12	DE



1. RECEPTACLE TO MATE WITH AMP LGH-4 LEAD ASSEMBLY, AVAILABLE SEPARATELY.
 2. PER FEDERAL STANDARD H-28 3 WIRE METHOD. DIMENSION OVER WIRES TO BE: .9975 - 1.0186.

ITEM NO.	DWG SIZE	PART OR IDENTIFYING NO.	NOMENCLATURE OR DESCRIPTION	SYMBOL
		5-850912-1	AS SHOWN WITH TIN PLATED PIN	
		OBSOLETE 850912-2	AS SHOWN WITH GOLD PLATED PIN	
		850912-1	AS SHOWN WITH TIN-LEAD PLATED PIN	

UNLESS OTHERWISE SPECIFIED: DIMENSIONS ARE IN INCHES TOLERANCES .00 ± .04 ANGLES .000 ± .015				CONTRACT NO. DR <i>L. Witt</i> 6-11-69		AMP INCORPORATED CAPITRON DIVISION ELIZABETHTOWN, PENNSYLVANIA	
MATERIAL: MOLDED GLASS EPOXY				CHK		NAME LGH-4 FLANGED RECEPTACLE ASS'Y RECESSED TERMINAL MOUNT (FOR BULKHEAD APPLICATION)	
FINISH: BLACK				APPD		SIZE B	
NEXT ASSY				DSGN APPD <i>S. Witt</i> 6-12-69		CODE IDENT NO. 00779	
FINAL ASSY				OTHER APPD		NUMBER 850912	
NEXT ASSY				SCALE <i>H</i>		WT	
USED ON				SHEET 1 OF 1		REV G	
QTY REQD				APPLICATION			

PRINT DIST L 37