



Chipsmall Limited consists of a professional team with an average of over 10 year of expertise in the distribution of electronic components. Based in Hongkong, we have already established firm and mutual-benefit business relationships with customers from,Europe,America and south Asia,supplying obsolete and hard-to-find components to meet their specific needs.

With the principle of “Quality Parts,Customers Priority,Honest Operation,and Considerate Service”,our business mainly focus on the distribution of electronic components. Line cards we deal with include Microchip,ALPS,ROHM,Xilinx,Pulse,ON,Everlight and Freescale. Main products comprise IC,Modules,Potentiometer,IC Socket,Relay,Connector.Our parts cover such applications as commercial,industrial, and automotives areas.

We are looking forward to setting up business relationship with you and hope to provide you with the best service and solution. Let us make a better world for our industry!



## Contact us

Tel: +86-755-8981 8866 Fax: +86-755-8427 6832

Email & Skype: info@chipsmall.com Web: www.chipsmall.com

Address: A1208, Overseas Decoration Building, #122 Zhenhua RD., Futian, Shenzhen, China



4

3

2

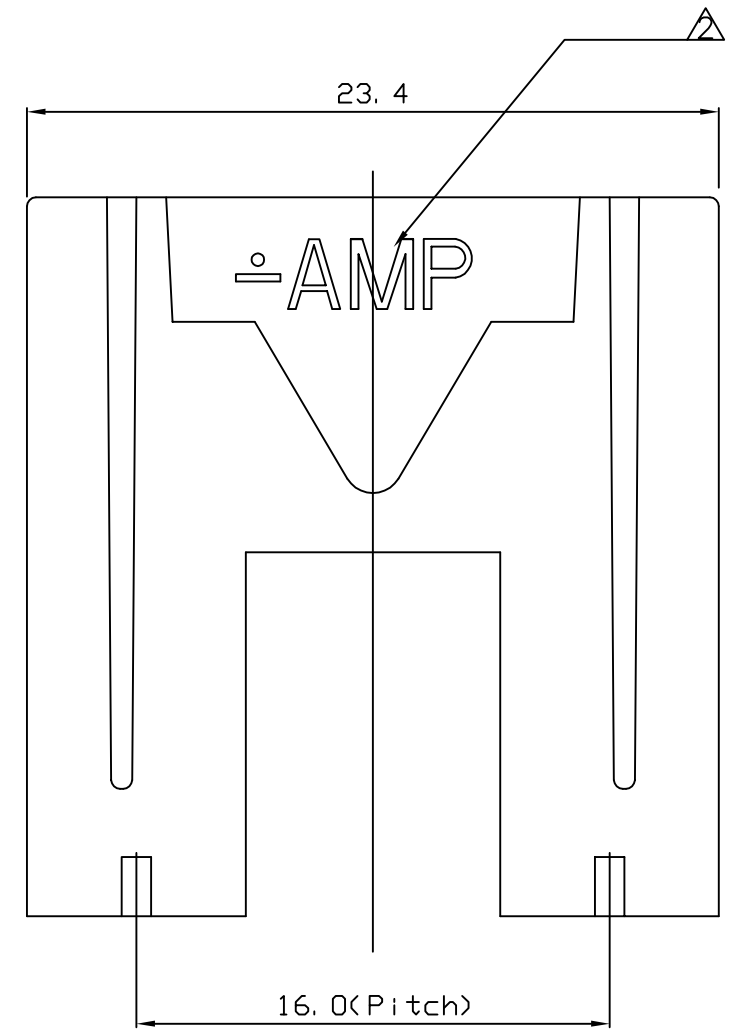
1

THIS DRAWING IS UNPUBLISHED. RELEASED FOR PUBLICATION  
© COPYRIGHT BY TYCO ELECTRONICS CORPORATION, ALL RIGHTS RESERVED.

LOC	DIST	REVISIONS					
		P	LTR	DESCRIPTION	DATE	DWN	APVD
DS	-		A2	REVISED PER ECR-16-001910	22SEP.'16	SC	BW

D

D



NOTES :

- 1. APPLICABLE CONTACT P/N : 170324, 170325, 170326

△ SEE TABLE

TABLE △

ID MARK	MANUFACTURING PLACE
△ AMP OR AMP	Korea
◻ AMP OR AMP	Qingdao

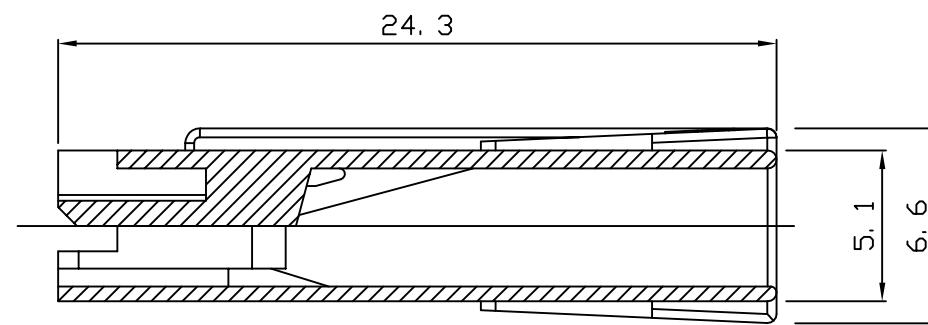
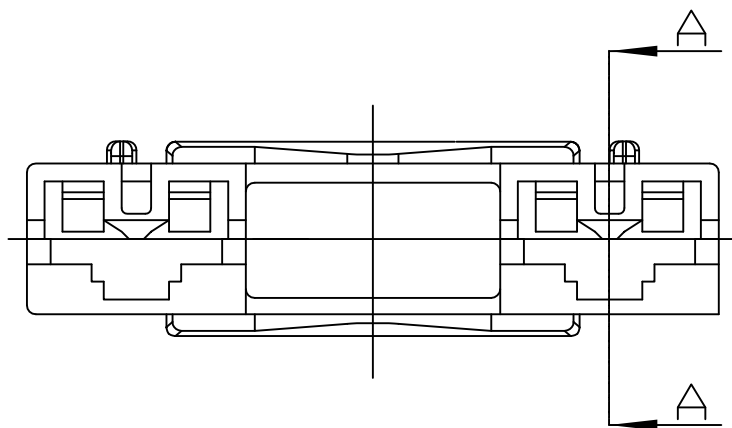
C

C

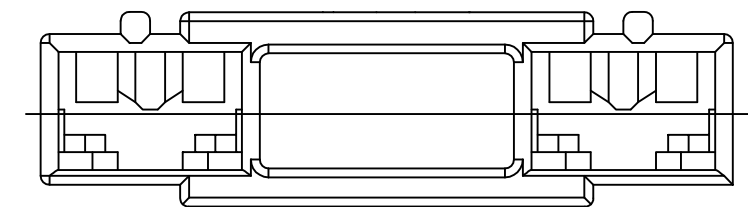
3	NYLON66(V-0)	YELLOW	<del>1-85092-4</del>	OBSOLETE
2	NYLON66(V-0)	NATURAL	1-85092-1	
1	NYLON66(V-2)	NATURAL	85092-1	
	MAT' L	COLOR	PART NO	

B

B



SECTION A-A



A

A

<small>THIS DRAWING IS A CONTROLLED DOCUMENT FOR TYCO ELECTRONICS CORPORATION IT IS SUBJECT TO CHANGE AND THE CONTROLLING ENGINEERING ORGANIZATION SHOULD BE CONTACTED FOR THE LATEST REVISION.</small>		DWN BH CHO CHK BW KANG APVD JK SONG PRODUCT SPEC 108-5126 APPLICATION SPEC - WEIGHT - CUSTOMER DRAWING			
DIMENSIONS: MM 		TOLERANCES UNLESS OTHERWISE SPECIFIED: 0 PLC ± 1 PLC ± 2 PLC ± 0.2 3 PLC ± 4 PLC ± ANGLES ±		NAME 187 SERIES POSITIVE LOCK (MK II) 2P REC HSG	
MATERIAL SEE TABLE		FINISH - -		SIZE CAGE CODE DRAWING NO RESTRICTED TO A3 00779 C-85092 -	
SCALE 4/1 SHEET 1 OF 1 REV A2					