



Chipsmall Limited consists of a professional team with an average of over 10 year of expertise in the distribution of electronic components. Based in Hongkong, we have already established firm and mutual-benefit business relationships with customers from,Europe,America and south Asia,supplying obsolete and hard-to-find components to meet their specific needs.

With the principle of “Quality Parts,Customers Priority,Honest Operation,and Considerate Service”,our business mainly focus on the distribution of electronic components. Line cards we deal with include Microchip,ALPS,ROHM,Xilinx,Pulse,ON,Everlight and Freescale. Main products comprise IC,Modules,Potentiometer,IC Socket,Relay,Connector.Our parts cover such applications as commercial,industrial, and automotives areas.

We are looking forward to setting up business relationship with you and hope to provide you with the best service and solution. Let us make a better world for our industry!



## Contact us

Tel: +86-755-8981 8866 Fax: +86-755-8427 6832

Email & Skype: info@chipsmall.com Web: www.chipsmall.com

Address: A1208, Overseas Decoration Building, #122 Zhenhua RD., Futian, Shenzhen, China



THIS DRAWING IS UNPUBLISHED.

RELEASED FOR PUBLICATION

,19

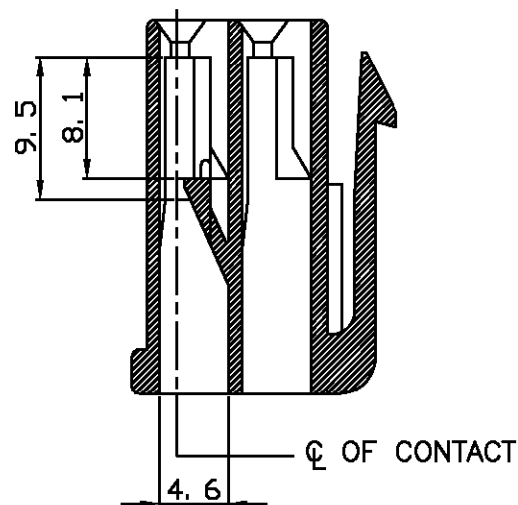
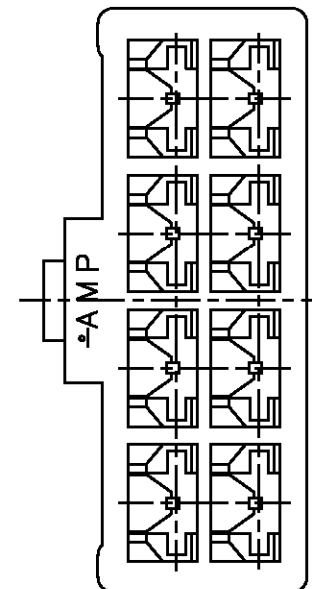
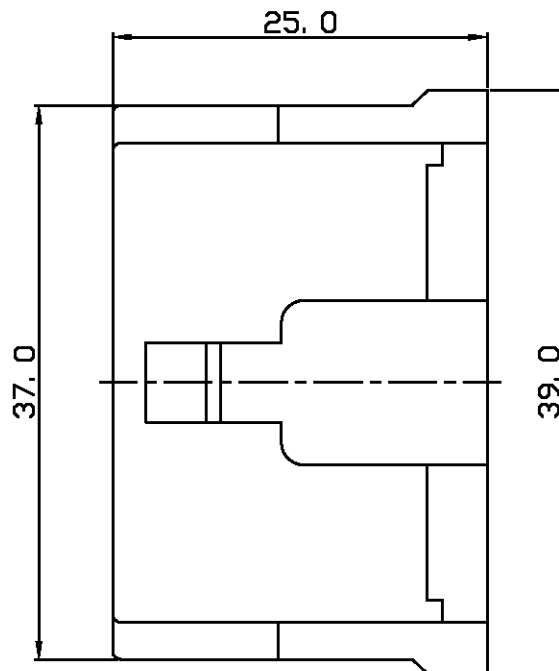
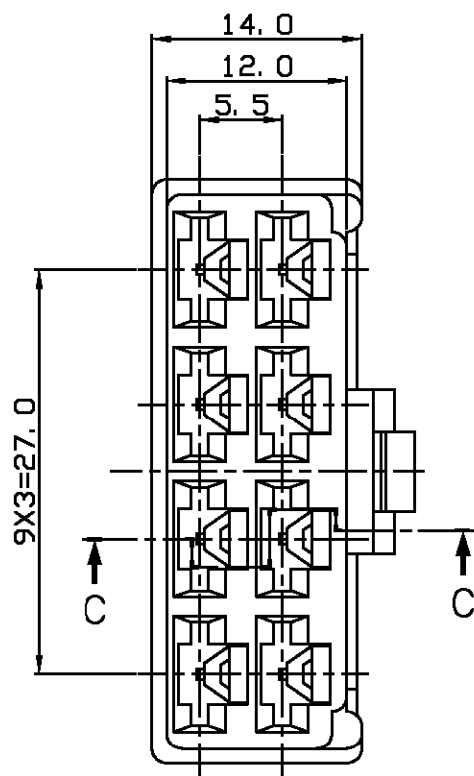
© COPYRIGHT 19

BY AMP INCORPORATED. ALL RIGHTS RESERVED.

LDC DS DIST

REVISIONS

P	LTR	DESCRIPTION	DATE	DVN	APVD
	O	RELEASED(RD96-316)	'96 2/OCT	YJ	CS
	A	REVISED(FC00-0013-01)	15/FEB/'01	MS	CS



SECT C-C

NOTE

1. APPLICABLE REC TML: 170384-2, 170032-5, 170258-8

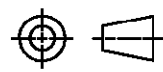
①	PART NO	MATERIAL	COLOR
	85136-2	PA 66	BLUE
	85136-1	PA 66	NATURAL

THIS DRAWING IS A CONTROLLED DOCUMENT FOR AMP INCORPORATED. IT IS SUBJECT TO CHANGE AND THE CONTROLLING ENGINEERING ORGANIZATION SHOULD BE CONTACTED FOR THE LATEST REVISION.

DIMENSIONS: MM

TOLERANCES UNLESS OTHERWISE SPECIFIED:

- 0 <XX<10 ± 0.2
- 10<XX<30 ± 0.25
- 30<XX ± 0.3
- ANGLES ± 3°



3rd ANGLE PROJECTION

MATERIAL SEE TABLE

FINISH SEE TABLE

DVN  
CHK  
APVD  
PRODUCT SPEC  
APPLICATION SPEC  
WEIGHT

**AMP**

AMP KOREA.  
kyungsan, korea

NAME  
250 8P PLUG HSG

SIZE: A3  
CAGE CODE: 00779  
DRAWING NO: 85136

SCALE 1/1 SHEET 1 OF 1 REV A