



Chipsmall Limited consists of a professional team with an average of over 10 year of expertise in the distribution of electronic components. Based in Hongkong, we have already established firm and mutual-benefit business relationships with customers from,Europe,America and south Asia,supplying obsolete and hard-to-find components to meet their specific needs.

With the principle of “Quality Parts,Customers Priority,Honest Operation,and Considerate Service”,our business mainly focus on the distribution of electronic components. Line cards we deal with include Microchip,ALPS,ROHM,Xilinx,Pulse,ON,Everlight and Freescale. Main products comprise IC,Modules,Potentiometer,IC Socket,Relay,Connector.Our parts cover such applications as commercial,industrial, and automotives areas.

We are looking forward to setting up business relationship with you and hope to provide you with the best service and solution. Let us make a better world for our industry!



Contact us

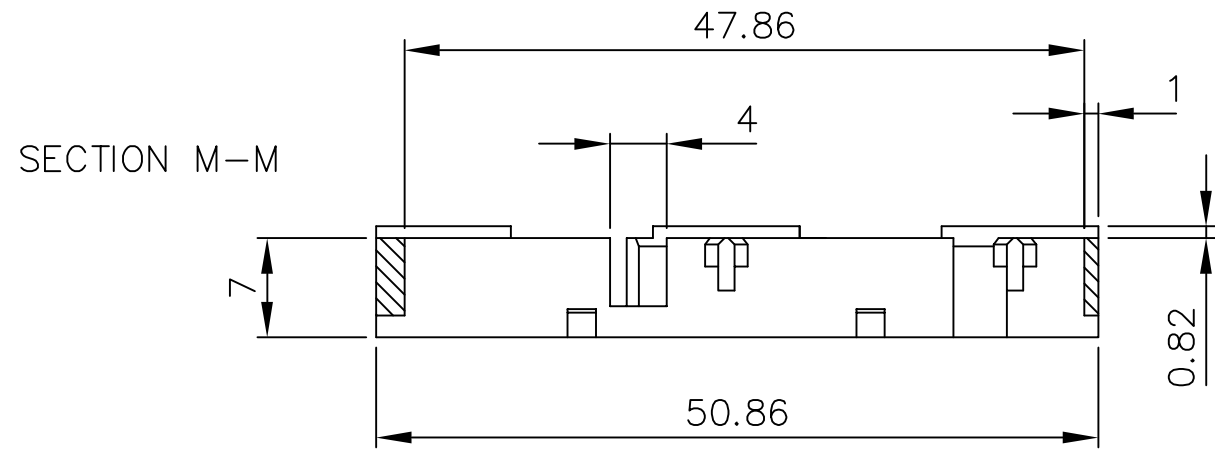
Tel: +86-755-8981 8866 Fax: +86-755-8427 6832

Email & Skype: info@chipsmall.com Web: www.chipsmall.com

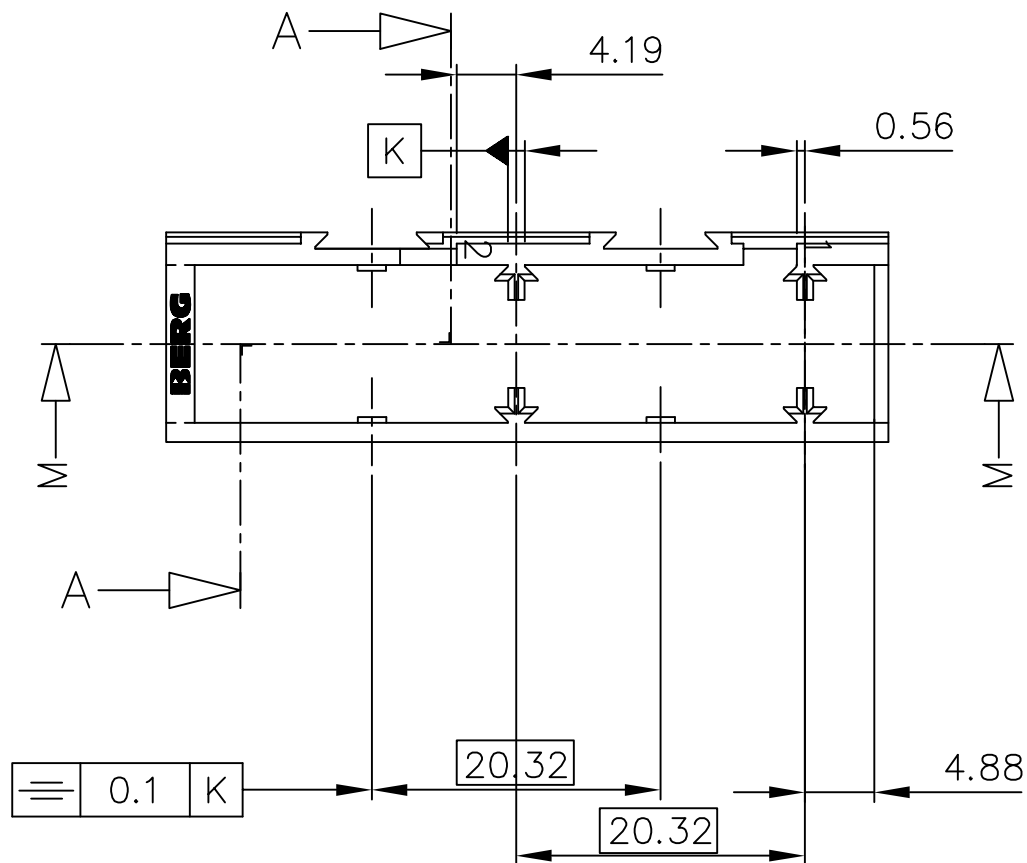
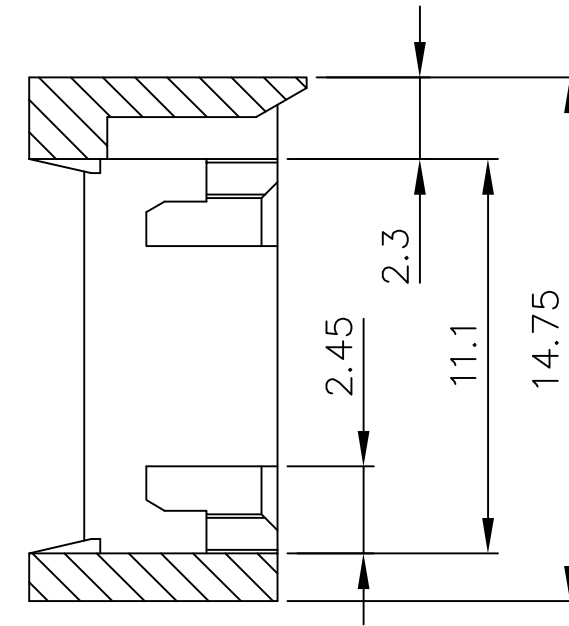
Address: A1208, Overseas Decoration Building, #122 Zhenhua RD., Futian, Shenzhen, China



PRODUCT NUMBER	MATERIAL	COLOUR	FLAME RETARDANT
85261-001	PPO	BLACK	UL-94-V1



SECTION A-A
Scale 5:1



NOTES:-

1. THIS PRODUCT MEETS EUROPEAN UNION DIRECTIVES AND OTHER COUNTRY REGULATIONS AS DESCRIBED IN GS-22-008.
2. LEADFREE OR RoHS DIRECTIVE LABELLING TO BE PROVIDED AS PER GS-14-920.
3. " LF " SUFFIX TO PRODUCT NUMBER FOR RoHS COMPATIBLE/ LEADFREE VERSION.
4. PARTS WITH AND WITHOUT "LF " SUFFIX ARE FORM-FIT AND FUNCTIONALLY IDENTICAL. " LF " SUFFIX PROVIDED FOR PART NUMBER STANDARDISATION OF PART THAT MEETS RoHS REQUIREMENTS.

mat'l. code		SEE NOTE		surface	tolerance	projection	product family
ISO 1302		ISO 406		ISO 101	ISO 101	Backpanel	
tolerances unless otherwise specified		tolerances unless otherwise specified		tolerances unless otherwise specified		title	
angles		linear		mm		LOCKING FRAME	
scale		scale		scale		MOD. 3x16	
Ltr		ecn no	dr	date	D.L.EGRAND		2000-10-10
A		H40357	RBE	1994-05-27	J.F.NOTTEAU		2000-10-10
B		F00406	LLA	2000-05-22	chr		RAKHEE GEORGE
C		05-0123	MINI	2005-07-27	app		RAKHEE GEORGE
D		05-0248	MINI	2005-11-22	app		RAKHEE GEORGE
E		06-0083	MINI	2006-06-01	app		RAKHEE GEORGE
sheet		revision	E	1	FCJ		dwg no
index		sheet	1	85261		sheet 1 of 1	size
				type		CUSTOMER Drawing	