



Chipsmall Limited consists of a professional team with an average of over 10 year of expertise in the distribution of electronic components. Based in Hongkong, we have already established firm and mutual-benefit business relationships with customers from,Europe,America and south Asia,supplying obsolete and hard-to-find components to meet their specific needs.

With the principle of “Quality Parts,Customers Priority,Honest Operation,and Considerate Service”,our business mainly focus on the distribution of electronic components. Line cards we deal with include Microchip,ALPS,ROHM,Xilinx,Pulse,ON,Everlight and Freescale. Main products comprise IC,Modules,Potentiometer,IC Socket,Relay,Connector.Our parts cover such applications as commercial,industrial, and automotives areas.

We are looking forward to setting up business relationship with you and hope to provide you with the best service and solution. Let us make a better world for our industry!



Contact us

Tel: +86-755-8981 8866 Fax: +86-755-8427 6832

Email & Skype: info@chipsmall.com Web: www.chipsmall.com

Address: A1208, Overseas Decoration Building, #122 Zhenhua RD., Futian, Shenzhen, China



PLUGSERIES PRS 24Vdc LD 2CO

Weidmüller Interface GmbH & Co. KG
 Klingenbergstraße 16
 D-32758 Detmold
 Germany
 Fon: +49 5231 14-0
 Fax: +49 5231 14-292083
 www.weidmueller.com



High power/currents can be safely switched with the PLUGSERIES. The modular system enables conventional relays and LED indicators simply to be plugged in. Retaining and disassembly clips provide a secure mount. Pre-assembled relays with 1 or 2 changeover contacts and input voltages from 24V to 230V round of the product range. Plug-in ZQV 2.5 cross-connectors enable relay multiplexers to be set up quickly thanks to simple side-by-side mounting.

General ordering data

| | |
|------------|-------------------------------------------------------------------------------------------------------------------------------------------------------|
| Order No. | 8530631001 |
| Type | PRS 24Vdc LD 2CO |
| Version | PLUGSERIES, Relays, No. of contacts: 2, CO contact, AgNi 90/10, Rated control voltage: 24 V DC $\pm 10\%$, Continuous current: 8 A, Screw connection |
| GTIN (EAN) | 4032248216277 |
| Qty. | 10 pc(s). |

PLUGSERIES
PRS 24Vdc LD 2CO

Weidmüller Interface GmbH & Co. KG
 Klingenbergstraße 16
 D-32758 Detmold
 Germany
 Fon: +49 5231 14-0
 Fax: +49 5231 14-292083
 www.weidmueller.com

Technical data
Ratings

| | | | |
|-----------------------------|------------------|---------------------------------|------------------------------------------------|
| Conductor connection system | Screw connection | Humidity | 40 °C / 93 % rel. humidity, no condensation |
| UL 94 flammability rating | V-0 | Wire cross-section, solid, max. | 2.5 mm ² |

Dimensions and weights

| | | | |
|-------|---------|------------|--------|
| Width | 15.3 mm | Height | 92 mm |
| Depth | 95 mm | Net weight | 66.7 g |

Temperatures

| | | | |
|-----------------------|-----------------|---------------------|-----------------|
| Operating temperature | -40 °C...+50 °C | Storage temperature | -40 °C...+85 °C |
|-----------------------|-----------------|---------------------|-----------------|

Connection data

| | | | |
|----------------------------------------|---------------------|---------------------------------------------------------|---------------------|
| Clamping range, rated connection | 2.5 mm ² | Clamping range, rated connection, min. | 0.5 mm ² |
| Clamping range, rated connection, max. | 2.5 mm ² | Tightening torque, max. | 0.7 Nm |
| Stripping length, rated connection | 8 mm | Wire connection cross section, finely stranded, max. | 2.5 mm ² |

Input

| | | | |
|---------------------------------------------------|----------------|------------------|-----------|
| Rated control voltage | 24 V DC ±10 % | Rated current DC | 20 mA |
| Coil resistance | 1,440 Ω ±10 % | Power rating | 400 mW |
| Pull-in (sparkover) / drop-out voltage DC coil | 16.8 V / 2.4 V | Status indicator | Green LED |

Output

| | | | |
|-------------------------|--------------------------------------------|----------------------------------------|-------------|
| Rated switching voltage | 250 V AC | Max. switching voltage, AC | 400 V |
| Continuous current | 8 A | making current | 15 A / 4 s |
| Max. switching power | 2000 VA | Response time | 8 ms / 6 ms |
| Min. switching power | 100 mA / 5 V, 10 V / 10 mA, 24 V / 1 mA | Max. switching frequency at rated load | 0.1 Hz |

Contact specifications

| | | | |
|------------------|------------|-------------------------|---------------------------------------|
| No. of contacts | 2 | Contact design | CO contact |
| Contact material | AgNi 90/10 | Mechanical service life | 30 x 10 ⁶ switching cycles |

Insulation coordination

| | | | |
|---------------------------|-------------------------|------------------------------------------------------------------|--------|
| Rated voltage | 300 V AC _{eff} | Clearance and creepage distances for control side - load side | > 8 mm |
| Impulse withstand voltage | 6 kV (1.2/50 μs) | Protection degree | IP 20 |
| Pollution severity | 2 | Surge voltage category | III |

Other technical data

| | | | |
|------------------|---------------|-----------------------------|-----------|
| Version | Relay coupler | Status indicator | Green LED |
| Free-wheel diode | No | Reverse polarity protection | No |

Further details of approvals / standards

| | |
|-----------|--------------|
| Standards | DIN EN 50178 |
|-----------|--------------|

Creation date March 8, 2013 11:30:09 PM CET

**PLUGSERIES
PRS 24Vdc LD 2CO**

Weidmüller Interface GmbH & Co. KG
Klingenbergstraße 16
D-32758 Detmold
Germany
Fon: +49 5231 14-0
Fax: +49 5231 14-292083
www.weidmueller.com

Technical data**Classifications**

| | | | |
|------------|-------------|------------|-------------|
| ETIM 2.0 | EC001437 | ETIM 3.0 | EC001437 |
| UNSPSC | 30-21-19-17 | eClass 4.1 | 40-02-06-14 |
| eClass 5.1 | 27-37-16-01 | eClass 6.0 | 27-37-16-01 |
| eClass 7.0 | 27-37-16-01 | | |

Approvals

Approvals

**Downloads**

Declaration of Conformity [K217_09_09.pdf](#)
[3-D model](#)

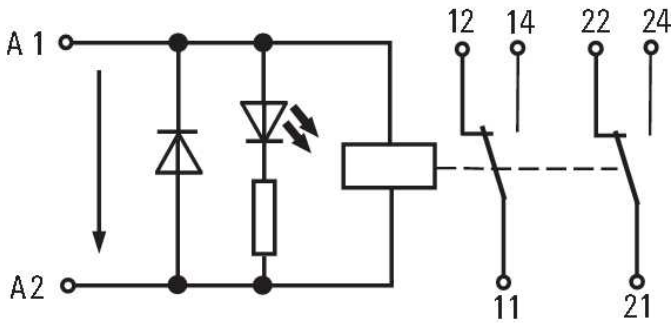
**PLUGSERIES
PRS 24Vdc LD 2CO**

Weidmüller Interface GmbH & Co. KG
 Klingenbergstraße 16
 D-32758 Detmold
 Germany
 Fon: +49 5231 14-0
 Fax: +49 5231 14-292083
 www.weidmueller.com

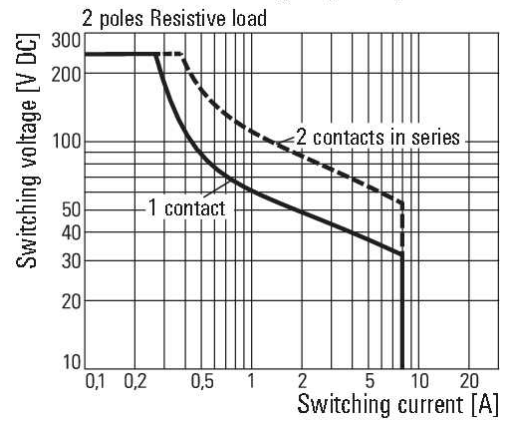
Drawings

Electric symbol

DC-Version



DC load breaking capacity



Electrical endurance

