



Chipsmall Limited consists of a professional team with an average of over 10 year of expertise in the distribution of electronic components. Based in Hongkong, we have already established firm and mutual-benefit business relationships with customers from,Europe,America and south Asia,supplying obsolete and hard-to-find components to meet their specific needs.

With the principle of "Quality Parts,Customers Priority,Honest Operation,and Considerate Service",our business mainly focus on the distribution of electronic components. Line cards we deal with include Microchip,ALPS,ROHM,Xilinx,Pulse,ON,Everlight and Freescale. Main products comprise IC,Modules,Potentiometer,IC Socket,Relay,Connector.Our parts cover such applications as commercial,industrial, and automotives areas.

We are looking forward to setting up business relationship with you and hope to provide you with the best service and solution. Let us make a better world for our industry!



## Contact us

Tel: +86-755-8981 8866 Fax: +86-755-8427 6832

Email & Skype: info@chipsmall.com Web: www.chipsmall.com

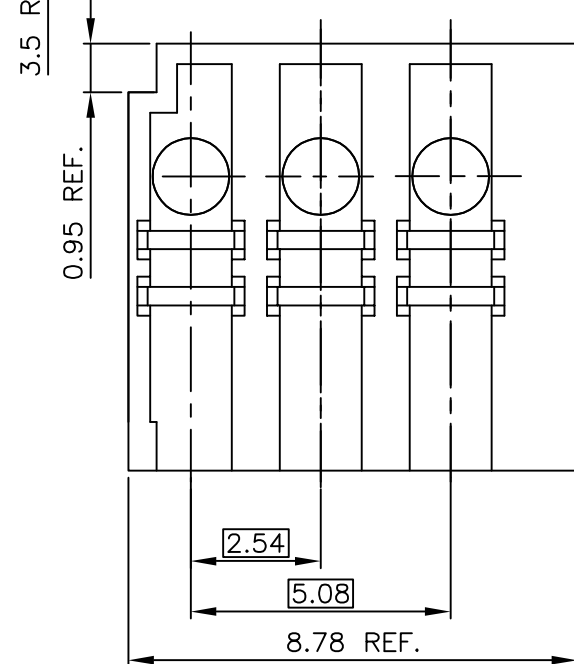
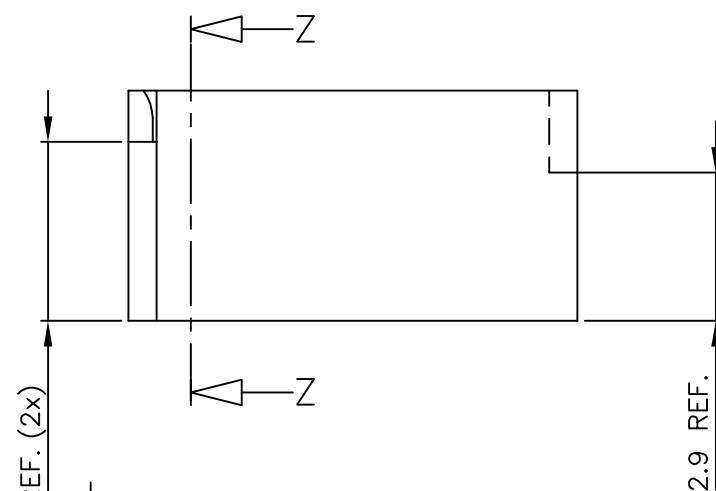
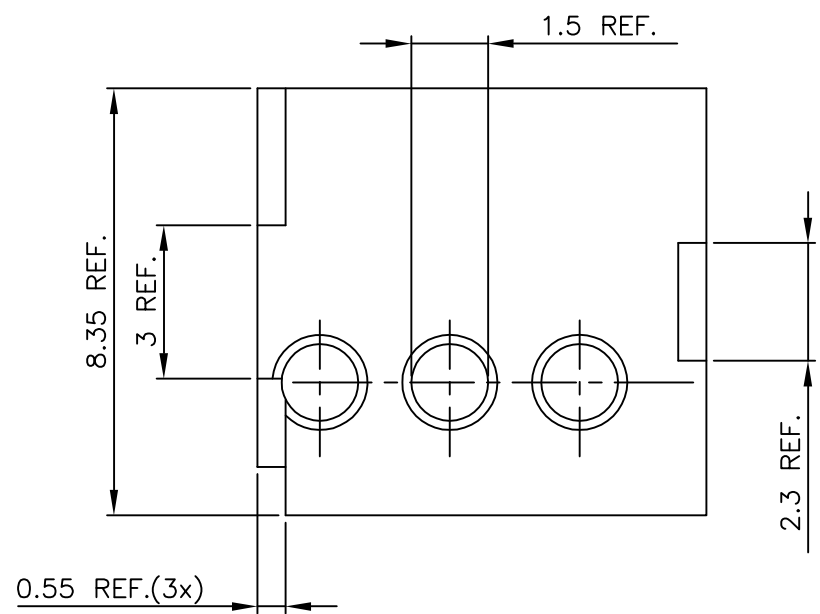
Address: A1208, Overseas Decoration Building, #122 Zhenhua RD., Futian, Shenzhen, China



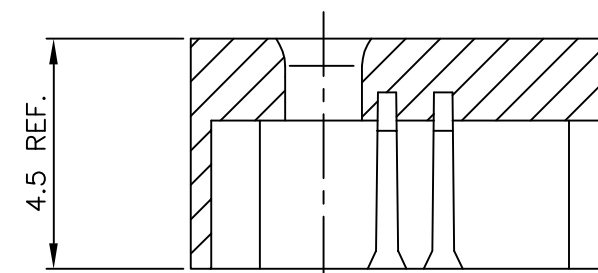
Product number  
85342-001

NOTES:-

1. THIS PRODUCT MEETS EUROPEAN UNION DIRECTIVES AND OTHER COUNTRY REGULATIONS AS DESCRIBED IN GS-22-008.
2. LEADFREE OR RoHS DIRECTIVE LABELLING TO BE PROVIDED AS PER GS-14-920.
3. " LF " SUFFIX TO PRODUCT NUMBER FOR RoHS COMPATIBLE/ LEADFREE VERSION.
4. PARTS WITH AND WITHOUT "LF " SUFFIX ARE FORM-FIT AND FUNCTIONALLY IDENTICAL. " LF " SUFFIX PROVIDED FOR PART NUMBER STANDARDISATION OF PART THAT MEETS RoHS REQUIREMENTS.
5. MATERIAL: PBT THERMOPLASTIC POLYESTER 30% GLASS FILLED FLAME RETARDANT PER UL 94-V0, COLOUR GREY
6. MINIMUM APPLICABLE DIAMETER OF 1mm FOR ALL SINGLE WIRES



SECTION Z-Z



mat'l. code		surface		tolerance		projection		product family	
SEE NOTE		ISO 1302		ISO 406		ISO 101		Backpanel	
ltr	ecn no	dr	date	tolerances unless otherwise specified		mm		title	
A	H50211	RVI	1995-04-03	angles		linear		Cable Conn.3x1	
B	H50622	RVI	1995-10-23	linear		scale 10:1		PIERCE BLOCK 24AWG	
C	05-0248	MINI	2005-11-22	linear		scale 10:1		dwg no	
D	06-0083	MINI	2006-06-01	dr		R. Visschers		sheet 1 of 1 size	
				enr		R. Bekker		85342	
				chr		RAKHEE GEORGE		A2	
				app		RAKHEE GEORGE		type	
								CUSTOMER Drawing	
sheet	revision	D							
index	sheet	1							