



Chipsmall Limited consists of a professional team with an average of over 10 year of expertise in the distribution of electronic components. Based in Hongkong, we have already established firm and mutual-benefit business relationships with customers from,Europe,America and south Asia,supplying obsolete and hard-to-find components to meet their specific needs.

With the principle of "Quality Parts,Customers Priority,Honest Operation,and Considerate Service",our business mainly focus on the distribution of electronic components. Line cards we deal with include Microchip,ALPS,ROHM,Xilinx,Pulse,ON,Everlight and Freescale. Main products comprise IC,Modules,Potentiometer,IC Socket,Relay,Connector.Our parts cover such applications as commercial,industrial, and automotives areas.

We are looking forward to setting up business relationship with you and hope to provide you with the best service and solution. Let us make a better world for our industry!



Contact us

Tel: +86-755-8981 8866 Fax: +86-755-8427 6832

Email & Skype: info@chipsmall.com Web: www.chipsmall.com

Address: A1208, Overseas Decoration Building, #122 Zhenhua RD., Futian, Shenzhen, China



Industrial Grade 10/100 Miniature Media Converters

IE-MiniMc/LFPT & Telco-LFPT



SPECIFICATIONS

TECHNICAL

| |
|---|
| IEEE 802.3 10Base-T twisted pair |
| IEEE 802.3u 100Base-TX twisted pair |
| IEEE 802.3u 100Base-FX fiber |
| IEEE 802.3af Power Over Ethernet |
| Supports jumbo packets up to 1916 bytes |
| Plug-and-play operation |
| RJ45 and ST or SC ports available |
| 50/125µm or 62.5/125µm multi-mode fiber |
| 9/125µm single-mode fiber |
| Available with single-strand fiber support |
| Includes terminal DC power block |
| Country-specific, high-reliability power adapter |
| Auto Negotiation |
| Auto-Cross for MDI/MDIX |
| Layer 2 packet switching, store and forward (forwarding rate: 14,881 pps for 10 Mbps, 148,100 pps for 100 Mbps) |
| Status LEDs |

MECHANICAL

| | |
|-----------------|---|
| Dimensions | 0.83"H x 1.80"W x 3.35"D (2.11 x 4.57 x 8.51 cm) |
| Shipping Weight | 0.7 lbs (.317 kg) |

INPUT SPECIFICATIONS

| |
|------------------------------------|
| DC Terminal (Telco): 12 to 48 VDC |
| Barrel Connector: 5 to 24 VDC |
| PoE: Maximum supply voltage is 50V |

ENVIRONMENTAL

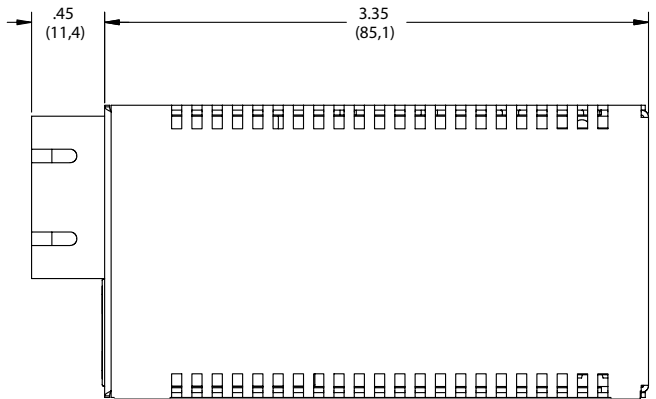
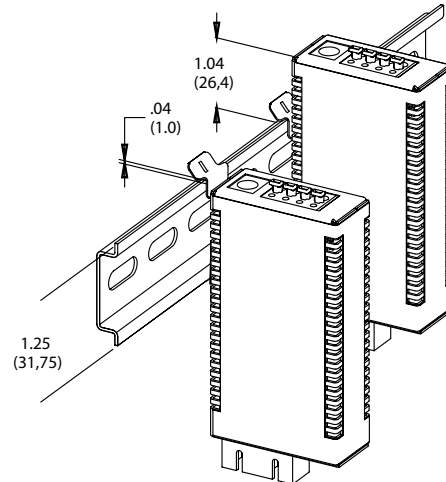
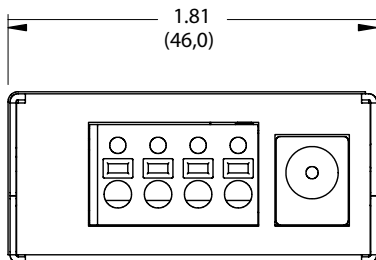
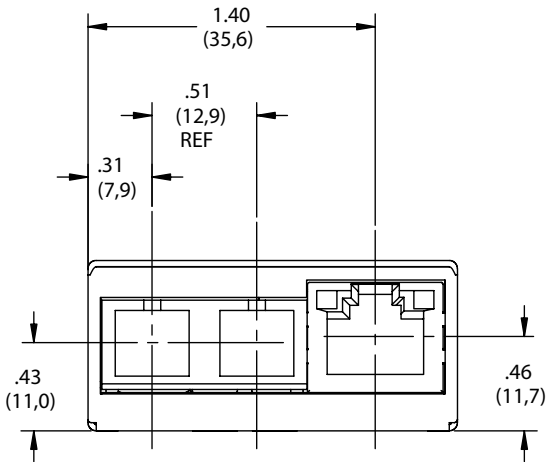
| | |
|--|--------------------------------------|
| Operating Temperature: DC or PoE (PD) | -13° F to 185° F (-25° C to +85° C) |
| Operating Temperature: AC wall adapter | +14° F to +122° F (-10° C to +50° C) |
| Storage Temperature: | -31° F to +167° F (-35° C to +75° C) |
| Operating Humidity | 5% to 95% (non-condensing) |

REGULATORY APPROVALS

| |
|--|
| FCC Class A (using DC terminal or PoE power) |
| FCC Class B (using any DC jack, optional) |
| UL/cUL, CSA, CE |

MECHANICAL DIAGRAM

(dimensions in inches & millimeters)



Mouser Electronics

Authorized Distributor

Click to View Pricing, Inventory, Delivery & Lifecycle Information:

[B&B Electronics:](#)

[855-19202](#) [855-19210](#) [855-19204](#) [855-19213](#) [855-19212](#)