



Chipsmall Limited consists of a professional team with an average of over 10 year of expertise in the distribution of electronic components. Based in Hongkong, we have already established firm and mutual-benefit business relationships with customers from,Europe,America and south Asia,supplying obsolete and hard-to-find components to meet their specific needs.

With the principle of “Quality Parts,Customers Priority,Honest Operation,and Considerate Service”,our business mainly focus on the distribution of electronic components. Line cards we deal with include Microchip,ALPS,ROHM,Xilinx,Pulse,ON,Everlight and Freescale. Main products comprise IC,Modules,Potentiometer,IC Socket,Relay,Connector.Our parts cover such applications as commercial,industrial, and automotives areas.

We are looking forward to setting up business relationship with you and hope to provide you with the best service and solution. Let us make a better world for our industry!



## Contact us

Tel: +86-755-8981 8866 Fax: +86-755-8427 6832

Email & Skype: info@chipsmall.com Web: www.chipsmall.com

Address: A1208, Overseas Decoration Building, #122 Zhenhua RD., Futian, Shenzhen, China



10 9 8 7 6 5 4 3 2 1

**NOTES :**

**1- MATERIAL:**

-HOUSING: POLYESTER FIBER GLASS FILLED UL 94-V0  
COLOR BLACK.

-TERMINAL: PHOSPHOR BRONZE.

**PLATING:**

POST PLATE 0.00127-0.00152/.000050-.000060 GOLD IN  
CONTACT AREA ,0.00190/.000075 MIN PURE TIN  
IN TAIL AREA BOTH OVER 0.00127/.000050 MIN NICKEL  
OVERALL.

-SHIELD: BRASS PLATED WITH 0.0020/.00078 TIN

2- JACK FOR MATING WITH F.C.C. 68 SHIELDED PLUGS (95043 MOLEX SERIES).

3- PRODUCT SPECIFICATION PS-95040 AND PS-85505 (SECTION 5.2).

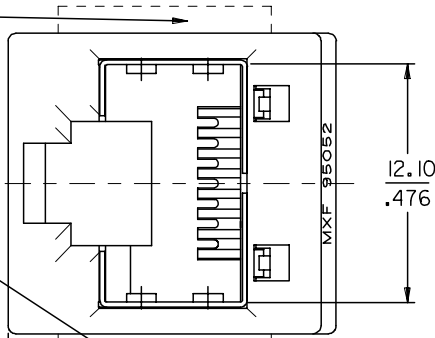
4- APPLICATION SPECIFICATION AS-95001.

5- PACKAGING SPECIFICATION PK-95022 (TRAY PACKAGING).

6- EXCEEDS CATEGORY 5E PERFORMANCE.

7- PC BOARD THICKNESS: 1.57/.062

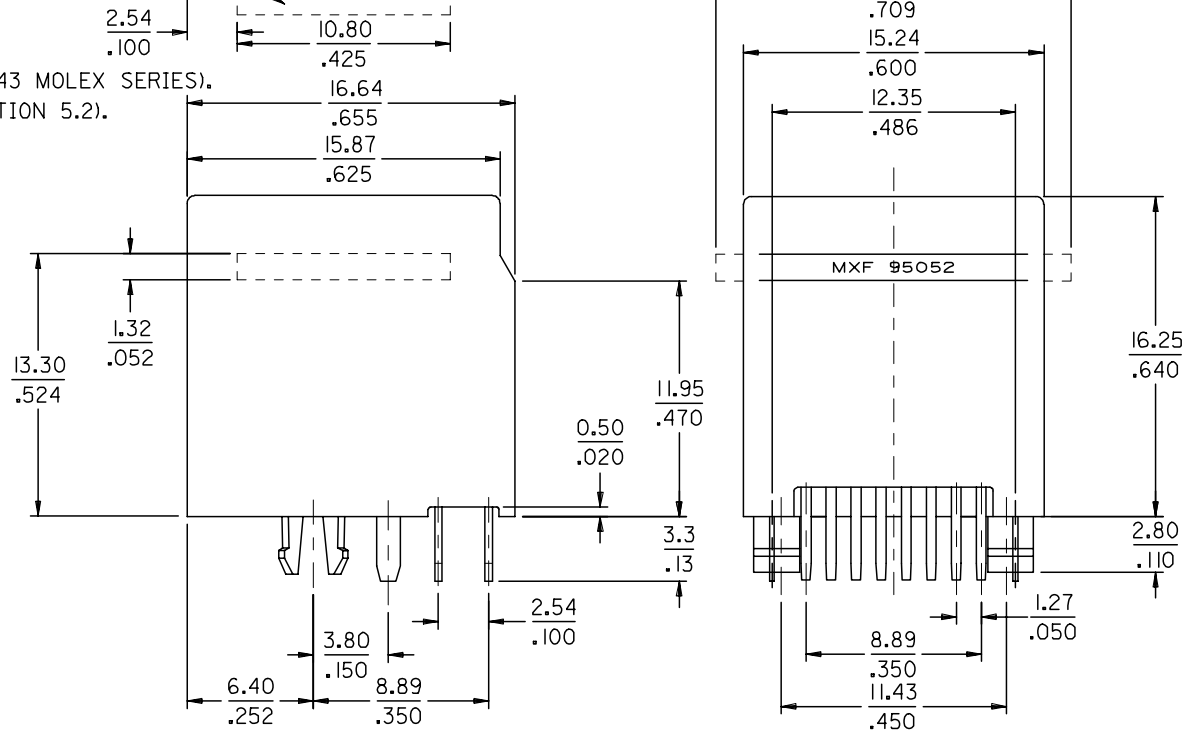
OPTIONAL RIBS



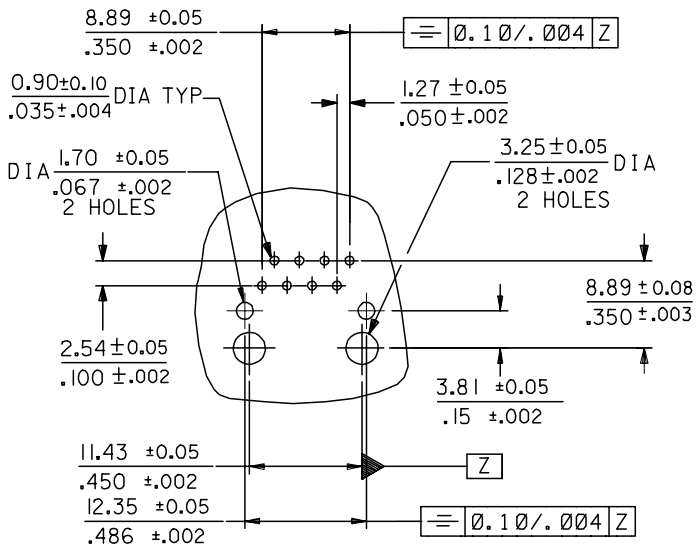
JACK WITH RIBS  
MATERIAL NR.: 85507-0001

---

JACK WITHOUT RIBS  
MATERIAL NR.: 85507-0002



**P.C.B. MOUNTING PATTERN**  
(see from component side)  
SCALE 2:1



<b>ENTER DESCRIPTION</b> EC NO: MG2005-0147 DRAWN: CEBASTI 2004/10/21 CHKD: FCARABET 2004/10/22 APPR: KNOLLER 2004/11/04	<b>QUALITY SYMBOLS</b> 	<b>GENERAL TOLERANCES (UNLESS SPECIFIED)</b>		<b>DIMENSION STYLE</b> MM/IN	<b>SCALE</b> 4:1	<b>DESIGN UNITS</b> METRIC	<b>THIRD ANGLE PROJECTION</b>		
		4 PLACES ± --- ± --- 3 PLACES ± --- ± .006 2 PLACES ± 0.15 ± .010 1 PLACE ± 0.25 ± ---	mm    INCH	<b>DRAWN BY</b> FB	<b>DATE</b> 98/08/05	<b>TITLE</b> TOP ENTRY HIGH SPEED SHIELDED MODULAR JACK THROUGH HOLE 8 CIRCUIT			
		DRAFT WHERE APPLICABLE MUST REMAIN WITHIN DIMENSIONS	ANGULAR ± 2 °	<b>APPROVED BY</b> FB	<b>DATE</b> 98/08/05	<b>MOLEX INCORPORATED</b>			
		<b>SIZE</b> A3		<b>MATERIAL NO.</b> SEE CHART	<b>DOCUMENT NO.</b> SD-85507-001	<b>SHEET NO.</b> 1 OF 1			

9 8 7 6 5 4 3 2 1