



Chipsmall Limited consists of a professional team with an average of over 10 year of expertise in the distribution of electronic components. Based in Hongkong, we have already established firm and mutual-benefit business relationships with customers from,Europe,America and south Asia,supplying obsolete and hard-to-find components to meet their specific needs.

With the principle of “Quality Parts,Customers Priority,Honest Operation,and Considerate Service”,our business mainly focus on the distribution of electronic components. Line cards we deal with include Microchip,ALPS,ROHM,Xilinx,Pulse,ON,Everlight and Freescale. Main products comprise IC,Modules,Potentiometer,IC Socket,Relay,Connector.Our parts cover such applications as commercial,industrial, and automotives areas.

We are looking forward to setting up business relationship with you and hope to provide you with the best service and solution. Let us make a better world for our industry!



Contact us

Tel: +86-755-8981 8866 Fax: +86-755-8427 6832

Email & Skype: info@chipsmall.com Web: www.chipsmall.com

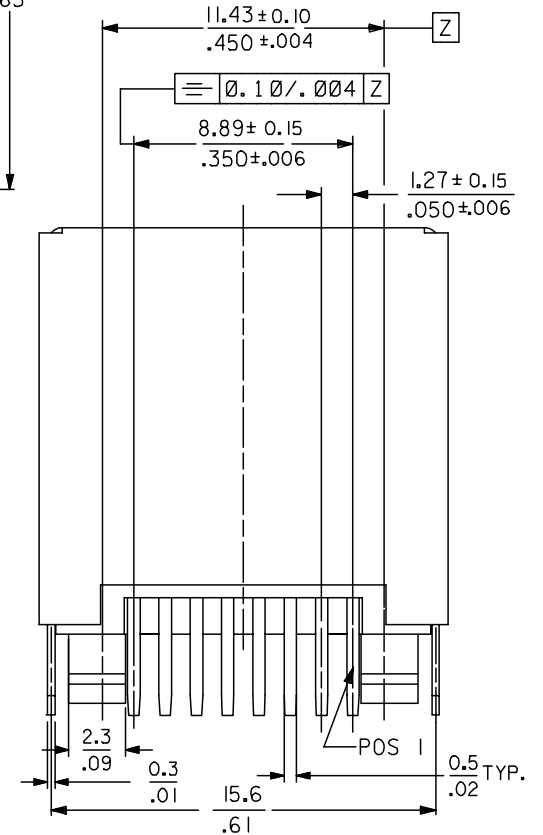
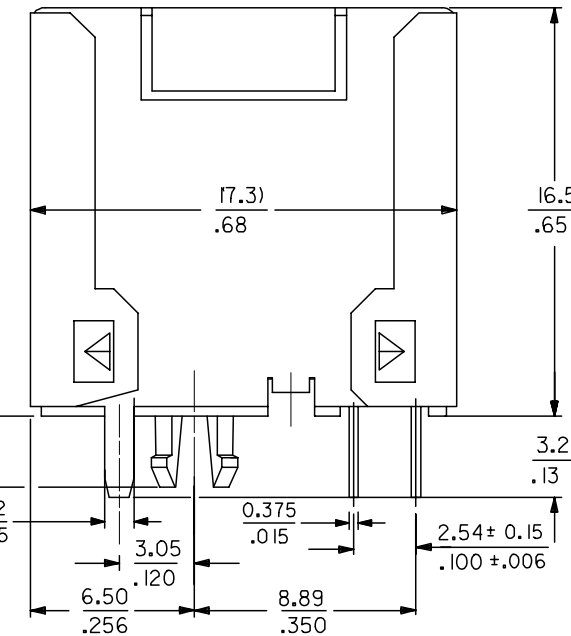
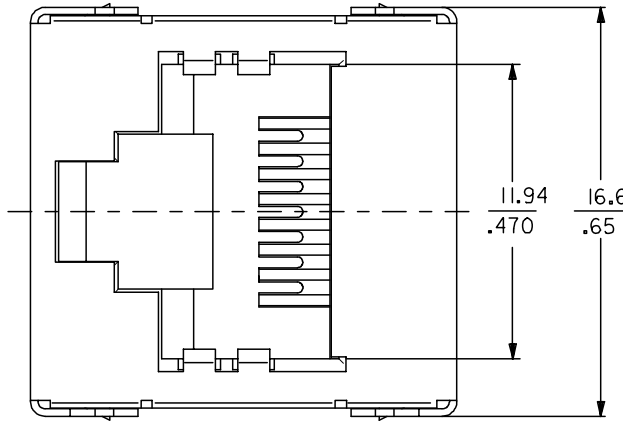
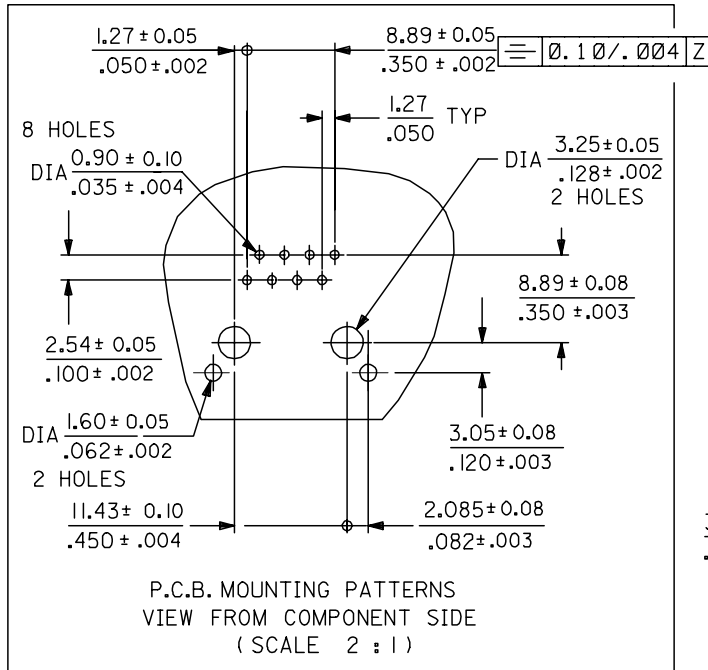
Address: A1208, Overseas Decoration Building, #122 Zhenhua RD., Futian, Shenzhen, China



TECHNICAL SPECIFICATIONS:

1- MATERIAL: HOUSING: POLYESTER G.F. UL94V0
 COLOR : BLACK
 TERMINAL : PHOSPHOR BRONZE PLATED WITH
 0.00127-0.00152/.000050-.000060 GOLD
 IN CONTACT AREA , 0.00190/.000075 MIN
 PURE TIN IN TAIL AREA BOTH OVER
 0.00127/.000050 MIN NICKEL OVERALL
 SHIELD : BRASS PLATED WITH 0.0020/.000078
 MIN TIN

PART NUMBER	TOOLED	PCB THICKNESS
85508-0001	YES	1.57/.062
85508-0002	NO	1.20/.047



NOTES :

- 1- JACK FOR MATING WITH F.C.C. 68 PLUGS 95043 MOLEX SERIES.
- 2- PRODUCT SPECIFICATION: MOLEX PS-85505.
- 3- APPLICATION SPECIFICATION: MOLEX AS-95001.
- 4- PACKAGING SPECIFICATION: MOLEX PK-95123.
- 5- P.C. BOARD THICKNESS (SEE CHART) DIM A
- 6- EXCEEDS CATEGORY 5E PERFORMANCE.

ENTER DESCRIPTION EC NO: MG2005-0139 DRAWN: KNOLLER 2004/10/15 CHKD: FCARABET 2004/10/15 APPR: KNOLLER 2004/10/15	QUALITY SYMBOLS ▽=0 ▽=0	GENERAL TOLERANCES (UNLESS SPECIFIED)		DIMENSION STYLE	SCALE	DESIGN UNITS	THIRD ANGLE PROJECTION	
		mm	INCH	MM ONLY	5:1	METRIC	⊙ □	
DESCRIPTION	4 PLACES	± ---	± ---	DRAWN BY	DATE	TITLE	MOLEX	SD-85508-001
	3 PLACES	± ---	± .010	HB	99/07/07			
REV	2 PLACES	± 0.25	± .014	CHECKED BY	DATE	DOCUMENT NO.	SHEET NO.	1 OF 1
	1 PLACE	± 0.35	± ---	APPROVED BY	DATE			
	ANGULAR ± 2 °		DRAFT WHERE APPLICABLE MUST REMAIN WITHIN DIMENSIONS		SEE CHART		THIS DRAWING CONTAINS INFORMATION THAT IS PROPRIETARY TO MOLEX INCORPORATED AND SHOULD NOT BE USED WITHOUT WRITTEN PERMISSION	