



Chipsmall Limited consists of a professional team with an average of over 10 year of expertise in the distribution of electronic components. Based in Hongkong, we have already established firm and mutual-benefit business relationships with customers from,Europe,America and south Asia,supplying obsolete and hard-to-find components to meet their specific needs.

With the principle of “Quality Parts,Customers Priority,Honest Operation,and Considerate Service”,our business mainly focus on the distribution of electronic components. Line cards we deal with include Microchip,ALPS,ROHM,Xilinx,Pulse,ON,Everlight and Freescale. Main products comprise IC,Modules,Potentiometer,IC Socket,Relay,Connector.Our parts cover such applications as commercial,industrial, and automotives areas.

We are looking forward to setting up business relationship with you and hope to provide you with the best service and solution. Let us make a better world for our industry!



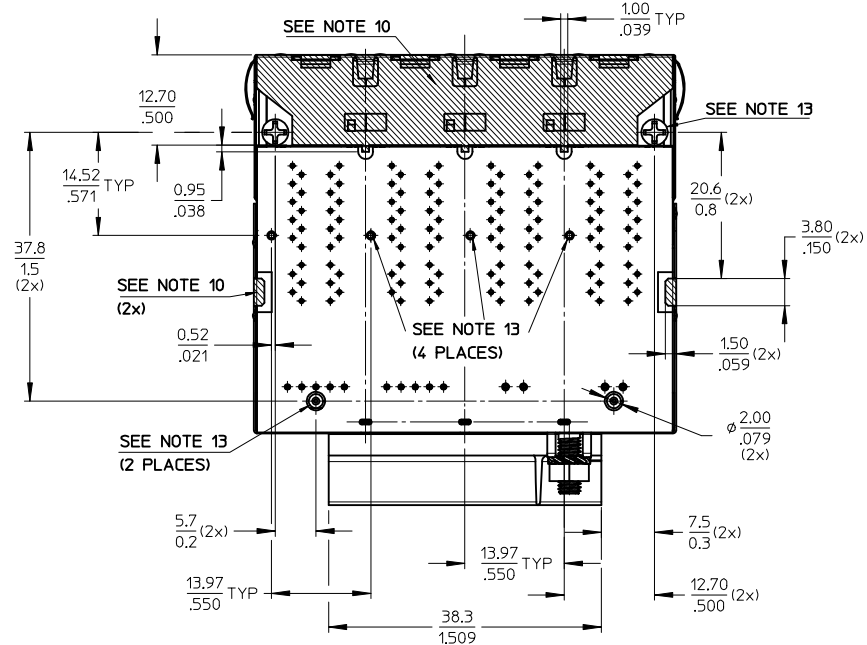
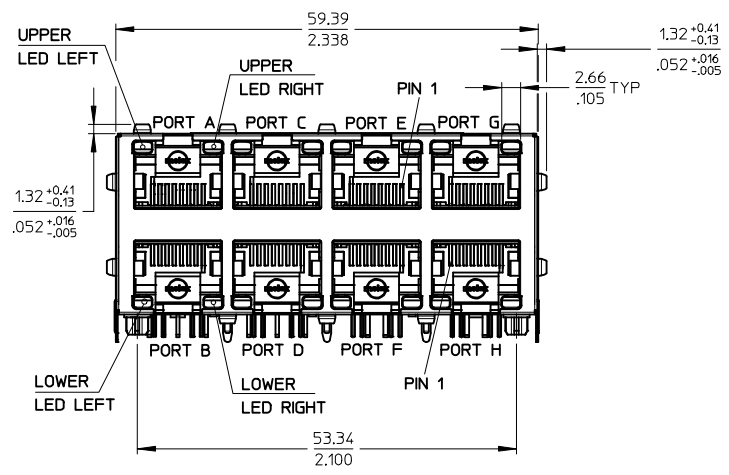
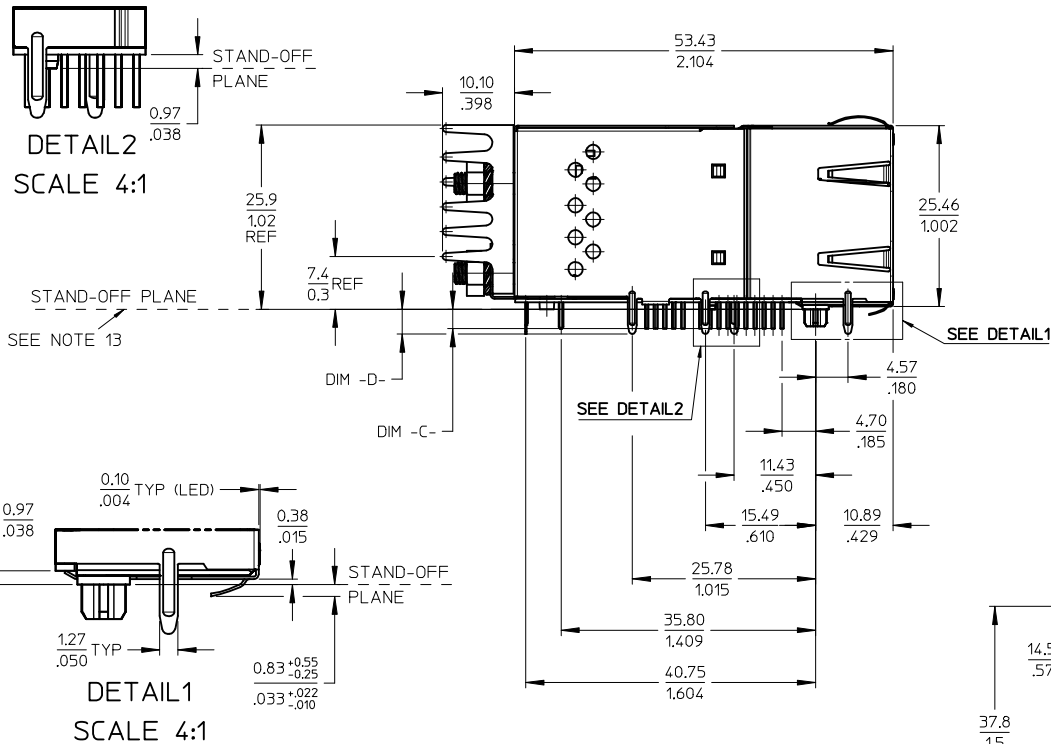
Contact us

Tel: +86-755-8981 8866 Fax: +86-755-8427 6832

Email & Skype: info@chipsmall.com Web: www.chipsmall.com

Address: A1208, Overseas Decoration Building, #122 Zhenhua RD., Futian, Shenzhen, China



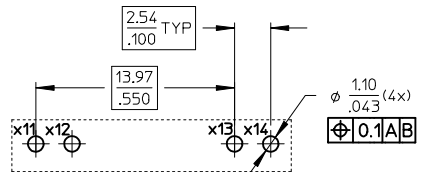
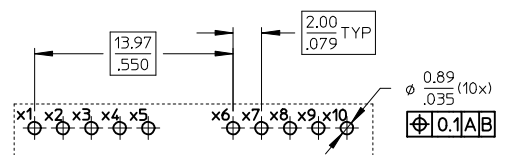
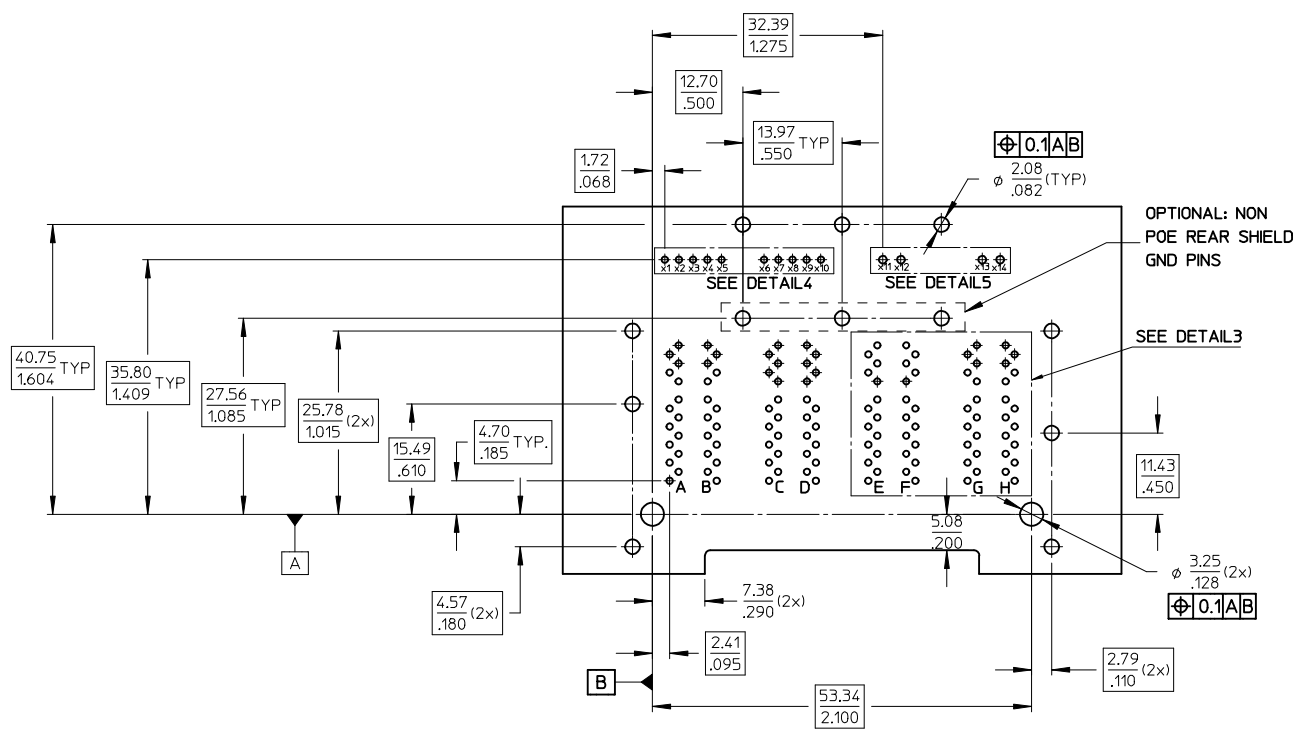
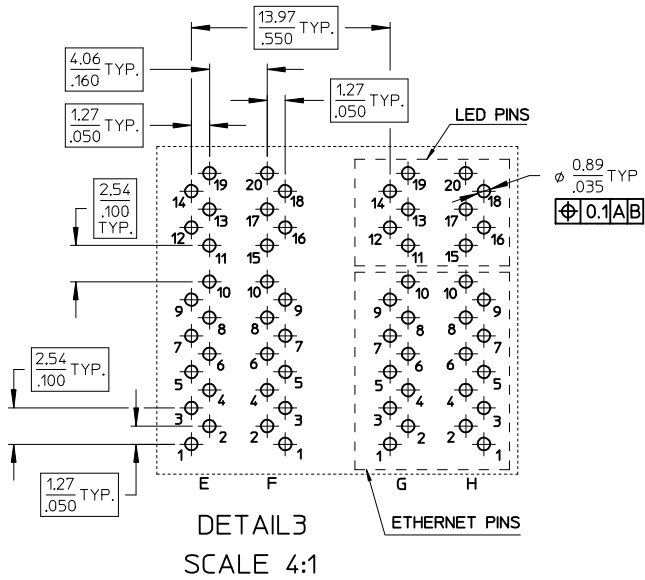


MATERIAL NUMBER	NUMBERS OF PORTS	DIM -C-	DIM -D-	SEE NOTE
85586-1003	4/4	4.0/0.157	3.8/0.150	12

PATENTS PENDING

- NOTES:
- SHIELD MATERIAL: BRASS, PLATING NICKEL
 - HOUSING MATERIAL: THERMOPLASTIC UL 94-V0, COLOR BLACK
 - TERMINAL: PHOSPHOR BRONZE
PLATING:
POSTPLATE OR SPOTPLATE 0.00127 / .00005 MIN GOLD
OVER 0.00127 / .00005 MIN NICKEL IN CONTACT AREA
0.00190 / .000075 MIN 100% TIN IN TAIL AREA, BOTH OVER
0.00127 / .000050 MIN NICKEL OVER ALL.
 - JACK TO BE MATCHED WITH F.C.C. 68.5 PLUGS (MOLEX-PLUGS: 85568,95043,90075-SERIES)
 - PRODUCT SPECIFICATION: PS-85586-001
 - PACKAGING SPECIFICATION: PK-85586-001
 - RECOMMENDED PCB LAYOUT AND PANEL CUT OUT SEE SHEET 2
 - NO TRACES WITHOUT INSULATION ALLOWED ON BOARD PCB IN THIS DASHED AREAS UNDER THE METAL SHIELD
 - PIN LENGTH FOR RECOMMENDED PCB MAX. THICKNESS OF .140" REFER TO STANDARD IPC 610 REVISION C, CLASS 2
 - STAND-OFF PLANE TO CUSTOMER PCB
 - PLEASE REQUEST MOLEX FOR A FRENCH INSTALLATION MANUAL IF DISTRIBUTED IN CANADA

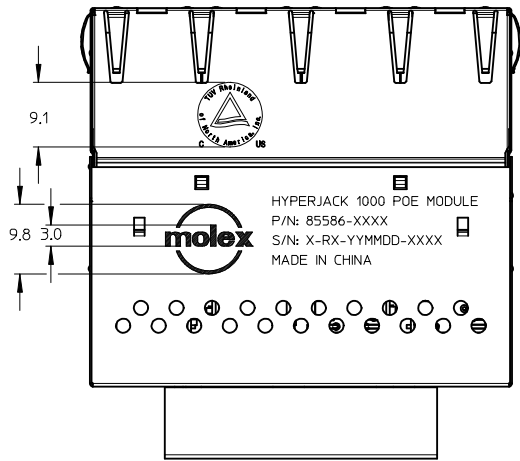
EC NO: MG2010-0061 DRWN: JBADER 2012/08/08 CHKD: MMANGARUDOV 2012/08/17 APPR: SSTEINKE 2012/12/04	QUALITY SYMBOLS ▽=0 ▽=0	GENERAL TOLERANCES (UNLESS SPECIFIED) <table border="1"> <tr> <th></th> <th>mm</th> <th>INCH</th> </tr> <tr> <td>4 PLACES</td> <td>± .005</td> <td>± .0005</td> </tr> <tr> <td>3 PLACES</td> <td>± .006</td> <td>± .0006</td> </tr> <tr> <td>2 PLACES</td> <td>± 0.15</td> <td>± .01</td> </tr> <tr> <td>1 PLACE</td> <td>± 0.25</td> <td>± .01</td> </tr> </table>		mm	INCH	4 PLACES	± .005	± .0005	3 PLACES	± .006	± .0006	2 PLACES	± 0.15	± .01	1 PLACE	± 0.25	± .01	DIMENSION STYLE MM/IN	SCALE 2:1	DESIGN UNITS METRIC	THIRD ANGLE PROJECTION
		mm	INCH																		
4 PLACES	± .005	± .0005																			
3 PLACES	± .006	± .0006																			
2 PLACES	± 0.15	± .01																			
1 PLACE	± 0.25	± .01																			
DESCRIPTION A	DRAFT WHERE APPLICABLE MUST REMAIN WITHIN DIMENSIONS	DRAWN BY: RSCHIEBER CHECKED BY: SSTEINKE APPROVED BY: AVOGT DATE: 2005/12/08	TITLE HYPERJACK 1000 POE-MODULE 2X4 W. POWER OVER PIN (POP), SWAPPED PORTS	MATERIAL NO. SEE CHART	DOCUMENT NO. SD-85586-013	SHEET NO. 1 OF 3															



PRELIMINARY FOR
PROTO 1

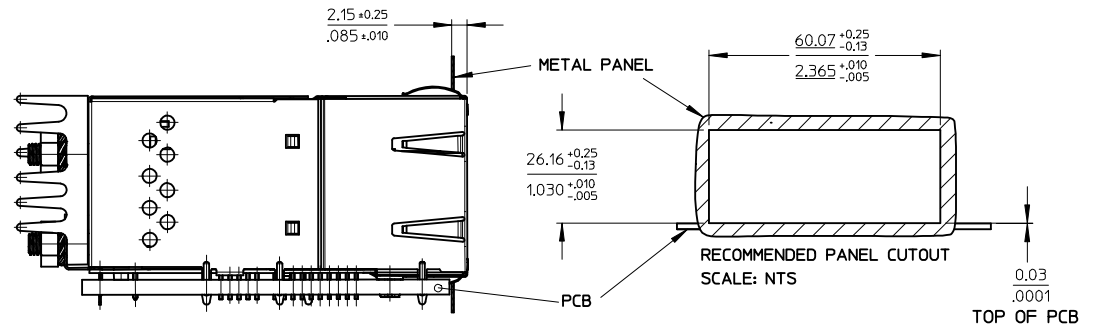
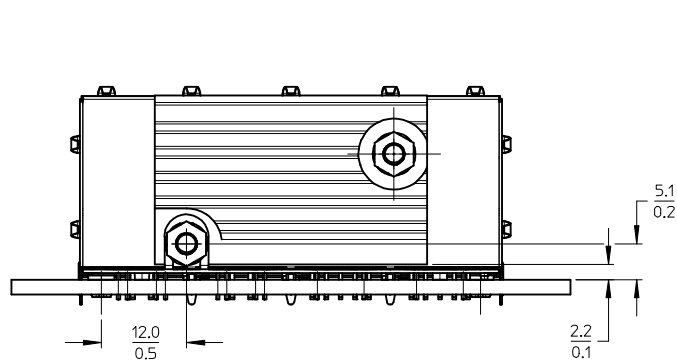
PATENTS PENDING

EC NO: MG2010-0061 DRAWN: JBADER 2012/08/08 CHKD: MANGARUDOV 2012/08/27 APPR: SSTE INKE 2012/12/04	QUALITY SYMBOLS ▽=0 ▽=0	GENERAL TOLERANCES (UNLESS SPECIFIED)		DIMENSION STYLE MM/IN		SCALE 2:1	DESIGN UNITS METRIC	THIRD ANGLE PROJECTION	
		4 PLACES ± --- ± --- 3 PLACES ± --- ± .006 2 PLACES ± 0.15 ± .01 1 PLACE ± 0.25 ± --- ANGULAR ± .5°	mm INCH --- --- ± .006 ± .01 ± --- ± ---	DRAWN BY RSCHIEBER	DATE 2005/12/08	TITLE HYPERJACK 1000 POE-MODULE 2X4 W. POWER OVER PIN (POP), SWAPPED PORTS		MOLEX INCORPORATED	
A	DESCRIPTION REV	DRAFT WHERE APPLICABLE MUST REMAIN WITHIN DIMENSIONS		MATERIAL NO. SEE SHEET 1		DOCUMENT NO. SD-85586-013		SHEET NO. 2 OF 3	
		SIZE A		THIS DRAWING CONTAINS INFORMATION THAT IS PROPRIETARY TO MOLEX INCORPORATED AND SHOULD NOT BE USED WITHOUT WRITTEN PERMISSION					



NOTES:

- 1- MOLEX LOGO, TUV LOGO AND INSCRIPTION TO BE MARKED WITH LASER PRINTER
- 2- INSCRIPTION:
 - 1st LINE: PART NAME
 - 2nd LINE: PART NUMBER
 - 3rd LINE: SERIES NUMBER -> MANUFACTURER ID - CONNECTOR REVISION - DATE CODE (YEAR, MONTH, DAY) - CONSECUTIVE NUMBER
 - 4th LINE: COUNTRY OF ORIGIN



EC NO: MG2010-0061 DRWN: JBADER 2012/08/08 CHKD: MMANGARDOV 2012/08/27 APPR: SSTE INKE 2012/12/04	QUALITY SYMBOLS ▽=0 ▽=0	GENERAL TOLERANCES (UNLESS SPECIFIED)		DIMENSION STYLE MM/IN		SCALE 2:1	DESIGN UNITS METRIC	THIRD ANGLE PROJECTION						
		4 PLACES ± --- ± ---	3 PLACES ± --- ± .006	2 PLACES ± 0.15 ± .01	1 PLACE ± 0.25 ± ---	ANGULAR ± .5 °	DRAFT WHERE APPLICABLE MUST REMAIN WITHIN DIMENSIONS	DRAWN BY RSCHIEBER	DATE 2005/12/08	CHECKED BY SSTE INKE	DATE 2005/12/08	APPROVED BY AVOGT	DATE 2005/12/08	TITLE HYPERJACK 1000 POE-MODULE 2X4 W. POWER OVER PIN (POP), SWAPPED PORTS
		MATERIAL NO. SEE SHEET 1						DOCUMENT NO. SD-85586-013						
		SIZE A						SHEET NO. 3 OF 3						