



Chipsmall Limited consists of a professional team with an average of over 10 year of expertise in the distribution of electronic components. Based in Hongkong, we have already established firm and mutual-benefit business relationships with customers from,Europe,America and south Asia,supplying obsolete and hard-to-find components to meet their specific needs.

With the principle of "Quality Parts,Customers Priority,Honest Operation,and Considerate Service",our business mainly focus on the distribution of electronic components. Line cards we deal with include Microchip,ALPS,ROHM,Xilinx,Pulse,ON,Everlight and Freescale. Main products comprise IC,Modules,Potentiometer,IC Socket,Relay,Connector.Our parts cover such applications as commercial,industrial, and automotives areas.

We are looking forward to setting up business relationship with you and hope to provide you with the best service and solution. Let us make a better world for our industry!



Contact us

Tel: +86-755-8981 8866 Fax: +86-755-8427 6832

Email & Skype: info@chipsmall.com Web: www.chipsmall.com

Address: A1208, Overseas Decoration Building, #122 Zhenhua RD., Futian, Shenzhen, China



10/100 Mbps Managed Optical Demarcation Compact CPE Device

IE-MiniFiberLinX-II/Telco



PRODUCT FEATURES

- Loopback troubleshooting
- SNMP Manageable
- Power options: AC, DC
- Bi-directional Bandwidth control
- MTU: Supports over-sized packets up to 1916
- Supports passive 802.3ah OAM (Operation, Administration & Management)

The compact IE-MiniFiberLinX-II/Telco is one of the most versatile fiber optic NID devices available on the market today. It provides point-to-point fiber optic connections with a unique management tool to monitor the entire link between two locations. IE-MiniFiberLinX-II/Telco was designed to work with -48 VDC power that is compliant with the Bellcore GR-499 specification, supporting the minimum and maximum transient voltages, typically required by transport equipment used in Telco environments. Other key features include; carrier grade remote SNMP management, extra tagging using Q-in-Q, and PoE (Power over Ethernet).

As a copper-to-fiber converter, the IE-MiniFiberLinX-II/Telco supports multiple fiber types including multimode, single-mode, single-strand fiber (SSF), and Course Wavelength Division Multiplexing (CWDM) functionality to increase the capacity of existing fiber. As a remote, CPE device, it can be connected via the fiber segment to an iMcV-FiberLinX-II Host module to support Host/Remote management.

Equipped with one 100 Mbps fiber data port, one 10/100 twisted pair port for data and management, as well as an auxiliary port designed to function as a serial port (when used with the included adapter), the IE-MiniFiberLinX-II/Telco also offers multiple powering options: AC power (with included adapter), DC (through a 4-terminal power block).

ORDERING INFORMATION

MODEL NUMBER	FIBER	FIBER PORTS	RANGE	ETHERNET PORTS	ETHERNET CONNECTOR
IE-MiniFiberLinX-II/Telco					
856-17620	MM850-ST	1	2 km	1	RJ45
856-17621	MM850-SC	1	2 km	1	RJ45
856-17622	MM1300-ST	1	5 km	1	RJ45
856-17623	MM1300-SC	1	5 km	1	RJ45
856-17626	SM1310/PLUS-ST	1	30 km	1	RJ45
856-17627	SM1310/PLUS-SC	1	30 km	1	RJ45
856-17628	SM1310/LONG-ST	1	80 km	1	RJ45
856-17629	SM1310/LONG-SC	1	80 km	1	RJ45
856-17631	SM1550/LONG-SC	1	80 km	1	RJ45
856-17632	SM1550/XLONG-SC	1	100 km	1	RJ45
SINGLE STRAND FIBER *					
856-17640	SSFx-MM1310-SC	1	2 km	1	RJ45
856-17641	SSFx-MM1550-SC	1	2 km	1	RJ45
856-17642	SSFx-SM1310-SC	1	20 km	1	RJ45
856-17643	SSFx-SM1550-SC	1	20 km	1	RJ45
856-17644	SSFx-SM1310/PLUS-SC	1	40 km	1	RJ45
856-17645	SSFx-SM1550/PLUS-SC	1	40 km	1	RJ45
856-17646	SSFx-SM1310/LONG-SC	1	60 km	1	RJ45
856-17647	SSFx-SM1550/LONG-SC	1	60 km	1	RJ45

* These products have single-strand fiber technology. Deploy in pairs or connect another compatible B+B IMC LLC single-strand fiber product.

IE-MiniFiberLinX-II/Telco also available in CWDM Fiber. Call for details.

ACCESSORIES

- 806-39105 - DIN Rail Clip
- 806-39638 - Double-USB Power Cable, 36"/.9m
- 806-39650 - 12"/.3m Barrel-Connector Power Cable
- 806-39753 - IE-Power/5V Module, AC to DC DIN Rail Power Adapter

IN THE FIELD

Chilean Telecommunications Delivers Services Via Fiber

Industry: Enterprise IT
Product: Optical Ethernet Demarcation Module



www.bb-elec.com/ChileCable

Carrier data charges may apply.



iView: Windows 2000/XP/Vista/Win7

10/100 Mbps Managed Optical Demarcation Compact CPE Device

IE-MiniFiberLinX-II/Telco



SPECIFICATIONS

GENERAL

- Preserves complete end-to-end fiber connection integrity
- Bi-directional bandwidth control (per port, per direction, per VLAN)
- Read/write IEEE 802.1Q VLAN-tags
- Extra Tagging with Q-in-Q mode (802.1p)
- Supports passive 802.3ah OAM (Operation, Administration & Management)
- QoS: IEEE 802.1p-based packet prioritization (2 queues [high/low] with 8 levels of priority)
- VLAN filtering up to 32 values
- Layer 2 packet switching, store and forward operation
- Forwarding rate: 14,881 pps for 10 Mbps; 148,810 pps for 100 Mbps
- AutoCross for MDI/MDIX
- Features Auto Negotiation and Selective Advertising
- Supports Half and Full-Duplex operation
- MTU: Supports over-sized packets up to 1916 bytes per packet

SECURITY

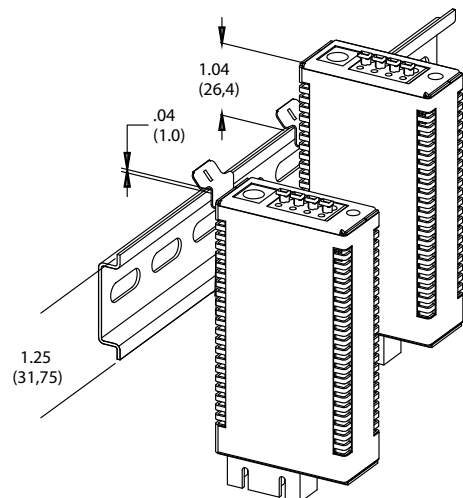
- Password Control
- Multiple Access Levels: User Assigned Accounts & Access Levels

MANAGEMENT

- SNMP V1 and V2c compatible
- Includes GUI-based iView² software for remote management and upgrades
- Monitors far-end (remote) status without a physical presence or separate connection
- IEEE 802.3x Flow Control
- Includes DHCP and TFTP clients
- Supports Telnet
- Includes loopback test modes (MAC swap)
- Includes LinkLoss and FiberAlert
- Remote capabilities with built-in support for UMA (IP-less management)
- RS-232 (Craft) interface for local management
- Serial cable for direct connection to a PC's Serial Port

MECHANICAL DIAGRAM

(dimensions in inches & millimeters)



ETHERNET PROTOCOLS SUPPORTED

- EEE 802.3i 10Base-T twisted pair
- IEEE 802.3u 100Base-TX twisted pair
- IEEE 802.3u 100Base-FX or SX fiber

MECHANICAL

Dimensions 0.83"H x 1.80"W x 3.35"D
(2.11 x 4.57 x 8.51 cm)

POWER

AC Wall Adapter: 100 to 240 VAC ±10% input, 5 VDC output, 2A max.
DC Input Voltage: 12 to 48 VDC *, 1 to .02A, 7 to 50 VDC, 1 to 0.1A

ENVIRONMENTAL

Operating Temperature +14° to +122° F (-10° to +50° C) AC Adapter
-13° to +167° F (-25° to +75° C) DC Adapter
-49° to +185° F (-45° to +85° C) DC Telco
Storage Temperature -49° to +185° F (-45° to +85° C)
Operating Humidity 5 to 95% Non-condensing

REGULATORY APPROVALS

FCC Class A
UL/cUL, CE, CSA, CB

