



Chipsmall Limited consists of a professional team with an average of over 10 year of expertise in the distribution of electronic components. Based in Hongkong, we have already established firm and mutual-benefit business relationships with customers from,Europe,America and south Asia,supplying obsolete and hard-to-find components to meet their specific needs.

With the principle of “Quality Parts,Customers Priority,Honest Operation,and Considerate Service”,our business mainly focus on the distribution of electronic components. Line cards we deal with include Microchip,ALPS,ROHM,Xilinx,Pulse,ON,Everlight and Freescale. Main products comprise IC,Modules,Potentiometer,IC Socket,Relay,Connector.Our parts cover such applications as commercial,industrial, and automotives areas.

We are looking forward to setting up business relationship with you and hope to provide you with the best service and solution. Let us make a better world for our industry!



Contact us

Tel: +86-755-8981 8866 Fax: +86-755-8427 6832

Email & Skype: info@chipsmall.com Web: www.chipsmall.com

Address: A1208, Overseas Decoration Building, #122 Zhenhua RD., Futian, Shenzhen, China

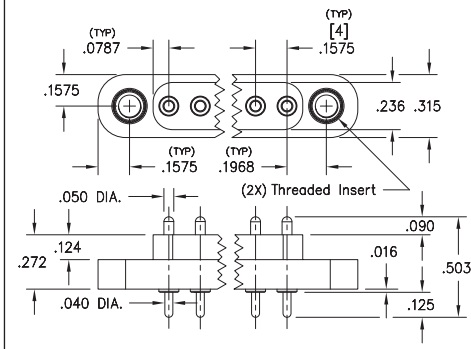


SPRING-LOADED CONNECTORS

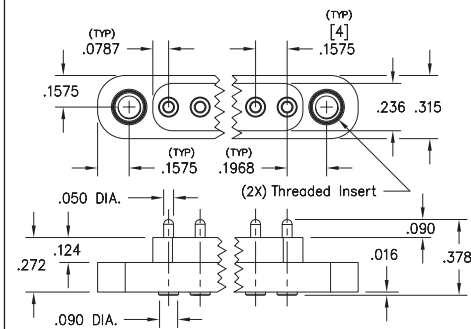
SERIES 858 • 4MM GRID RUGGED CONNECTOR • SURFACE MOUNT AND THROUGH HOLE MOUNT



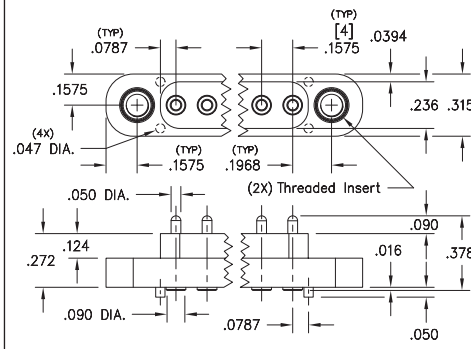
Series 858-22-00X-10-0X1101



Series 858-22-00X-30-0X1101



Series 858-22-00X-30-6X1101



- Rugged Modular contacts for use on 4mm grid, supplied in 2 - 6 position connectors
- Precision-machined piston / base and gold-plated components assure up to 1,000,000 cycle life durability. Pistons have a .045" mid. stroke and a .090" max. stroke
- Mounting tabs provide a means for secure attachment to the PCB and may be specified with or without threaded inserts
- Low resistance, high current contacts are rated at 9 amps @ 10°C Temperature rise
- High temperature thermoplastic insulators are suitable for wave and reflow processes
- Series 858-22-00X-10-0X1101 connectors are designed for manual placement into .048±.003" Ø plated through-holes in the circuit board prior to soldering
- Series 858-22-00X-30-0X1101 and 858-22-00X-30-6X1101 connectors are designed for manual placement onto .100" Ø solder pads

ORDERING INFORMATION

Series 858 (Through-Hole Mount)

858-22-00X-10-0X1101
 Specify number of pins 2-6 No Threaded inserts = 0
 (#4-40) Threaded inserts = 1

Series 858 (Surface Mount)

858-22-00X-30-0X1101
 Specify number of pins 2-6 No Threaded inserts = 0
 (#4-40) Threaded inserts = 1

Series 858 (Surface Mount with Alignment Pins)

858-22-00X-30-6X1101
 Specify number of pins 2-6 No Threaded inserts = 0
 (#4-40) Threaded inserts = 1

Technical Specifications

Materials:

Contact piston & base: Machined copper alloy plated 20µ" gold over 100µ" nickel
 Spring: Stainless Steel 302
 Insulator: High temperature thermoplastic, rated UL94 V-0

Mechanical:

Spring force @ initial height: 35 grams
 Spring force @ mid stroke: 120 grams
 Durability: Up to 1,000,000 cycles

Electrical:

Current rating: 9A @ 10° C Temp. rise above ambient (20°C)
 Contact resistance: 20mΩ max.
 Insulation resistance: 10,000MΩ min.

RoHS - 2
2011/65/EU

