



Chipsmall Limited consists of a professional team with an average of over 10 year of expertise in the distribution of electronic components. Based in Hongkong, we have already established firm and mutual-benefit business relationships with customers from,Europe,America and south Asia,supplying obsolete and hard-to-find components to meet their specific needs.

With the principle of “Quality Parts,Customers Priority,Honest Operation,and Considerate Service”,our business mainly focus on the distribution of electronic components. Line cards we deal with include Microchip,ALPS,ROHM,Xilinx,Pulse,ON,Everlight and Freescale. Main products comprise IC,Modules,Potentiometer,IC Socket,Relay,Connector.Our parts cover such applications as commercial,industrial, and automotives areas.

We are looking forward to setting up business relationship with you and hope to provide you with the best service and solution. Let us make a better world for our industry!



Contact us

Tel: +86-755-8981 8866 Fax: +86-755-8427 6832

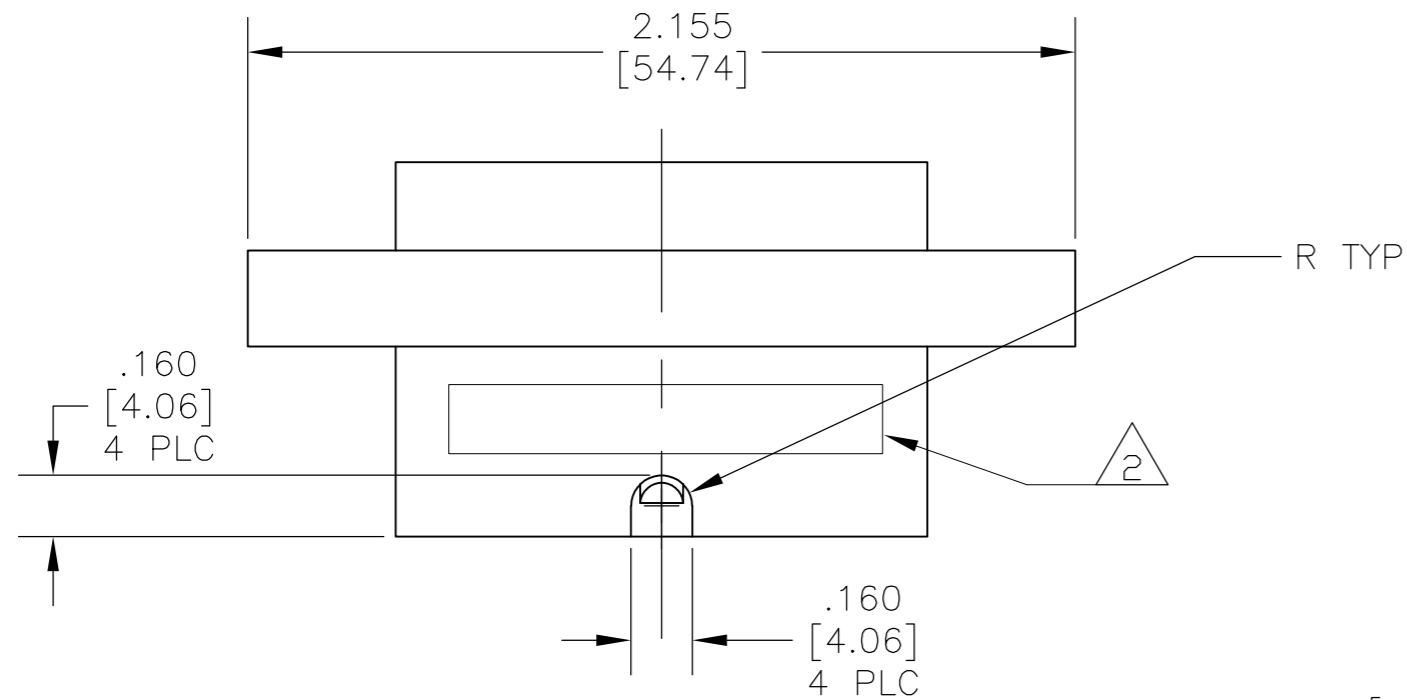
Email & Skype: info@chipsmall.com Web: www.chipsmall.com

Address: A1208, Overseas Decoration Building, #122 Zhenhua RD., Futian, Shenzhen, China

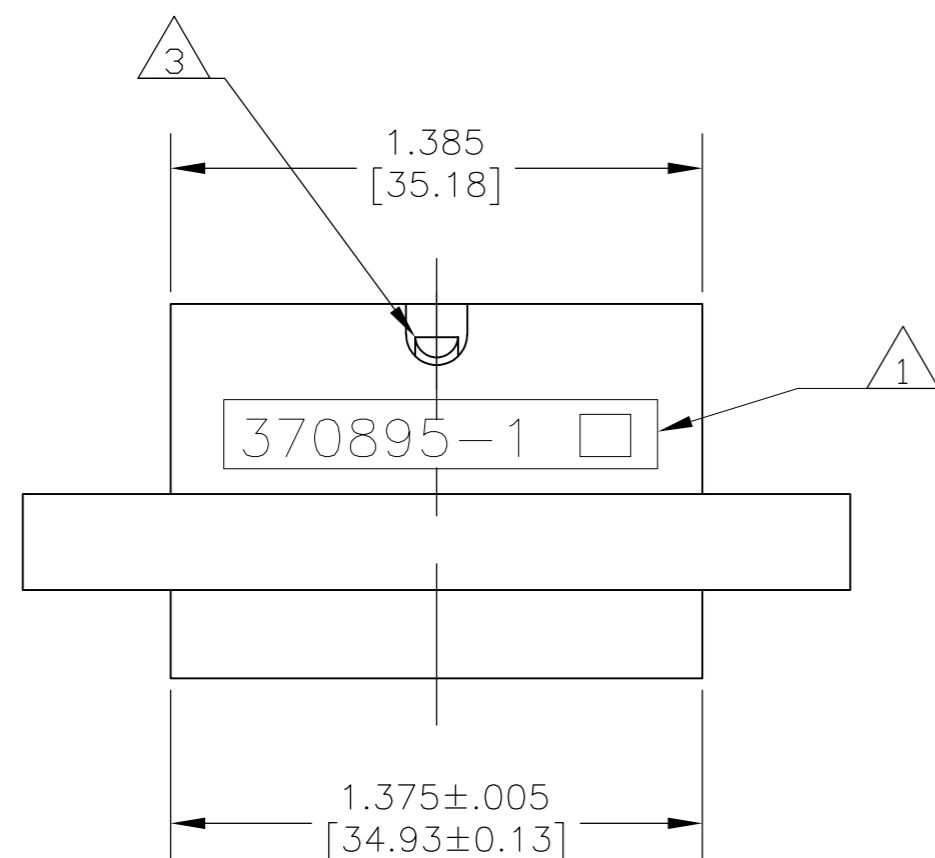
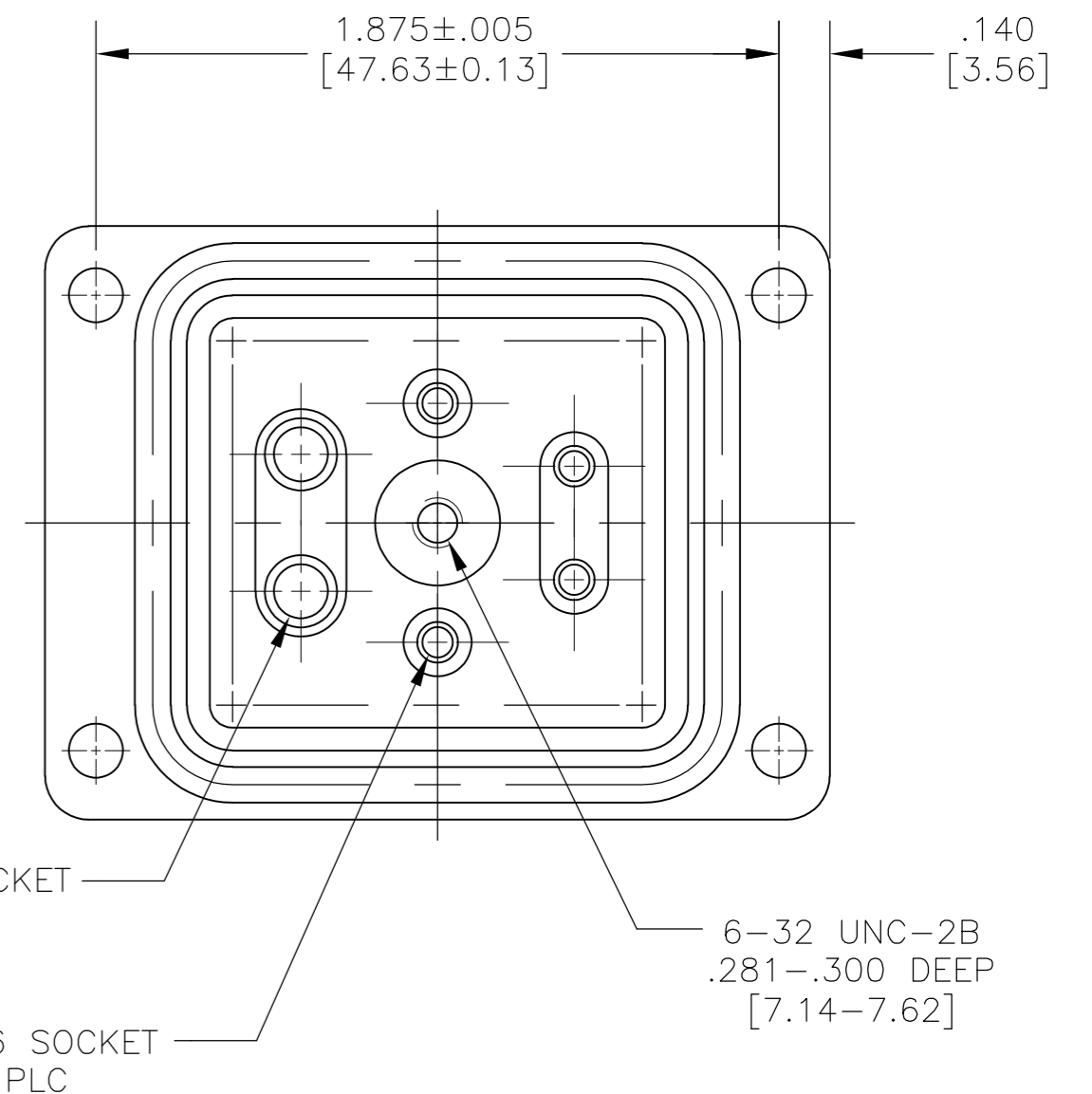
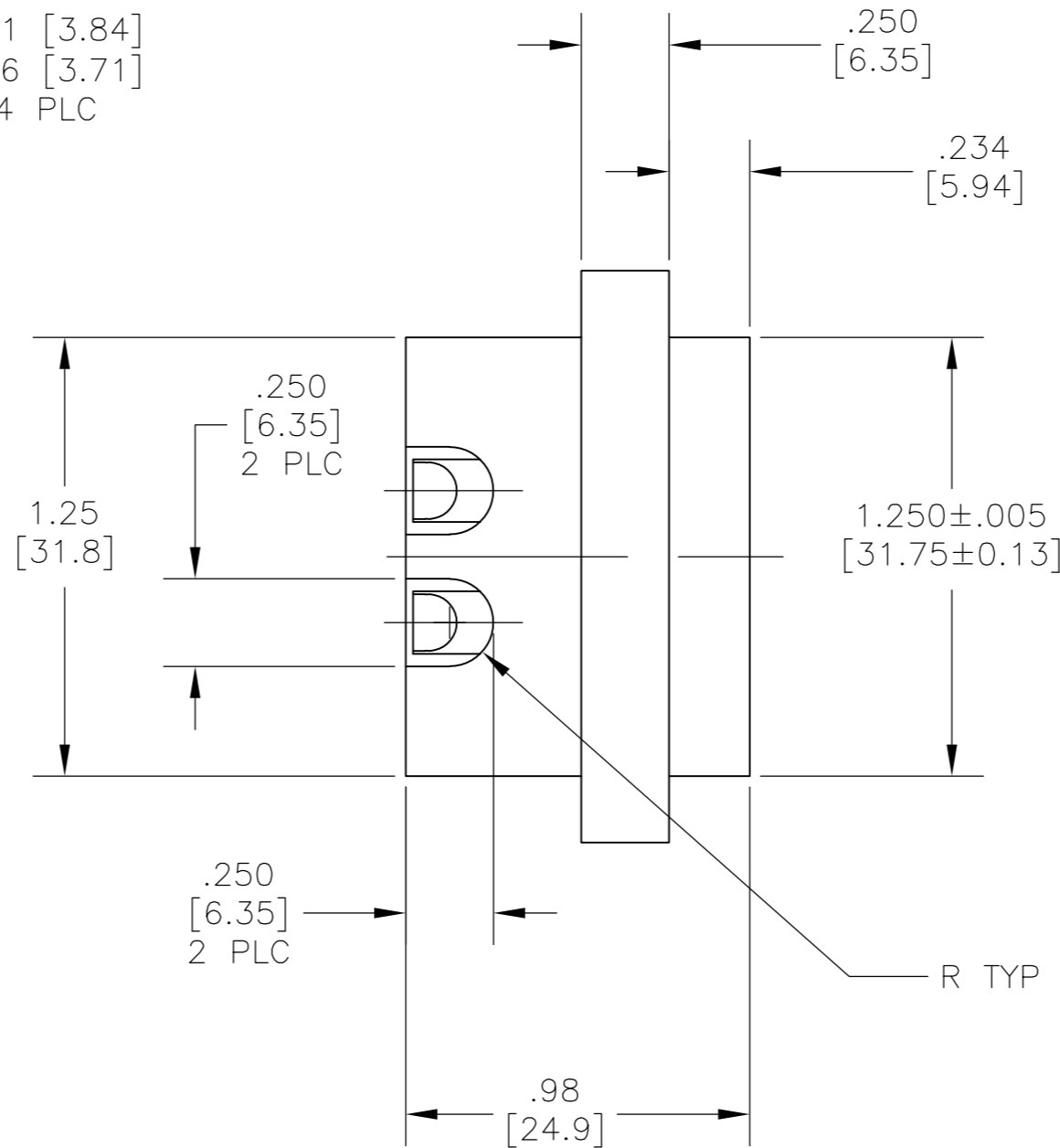
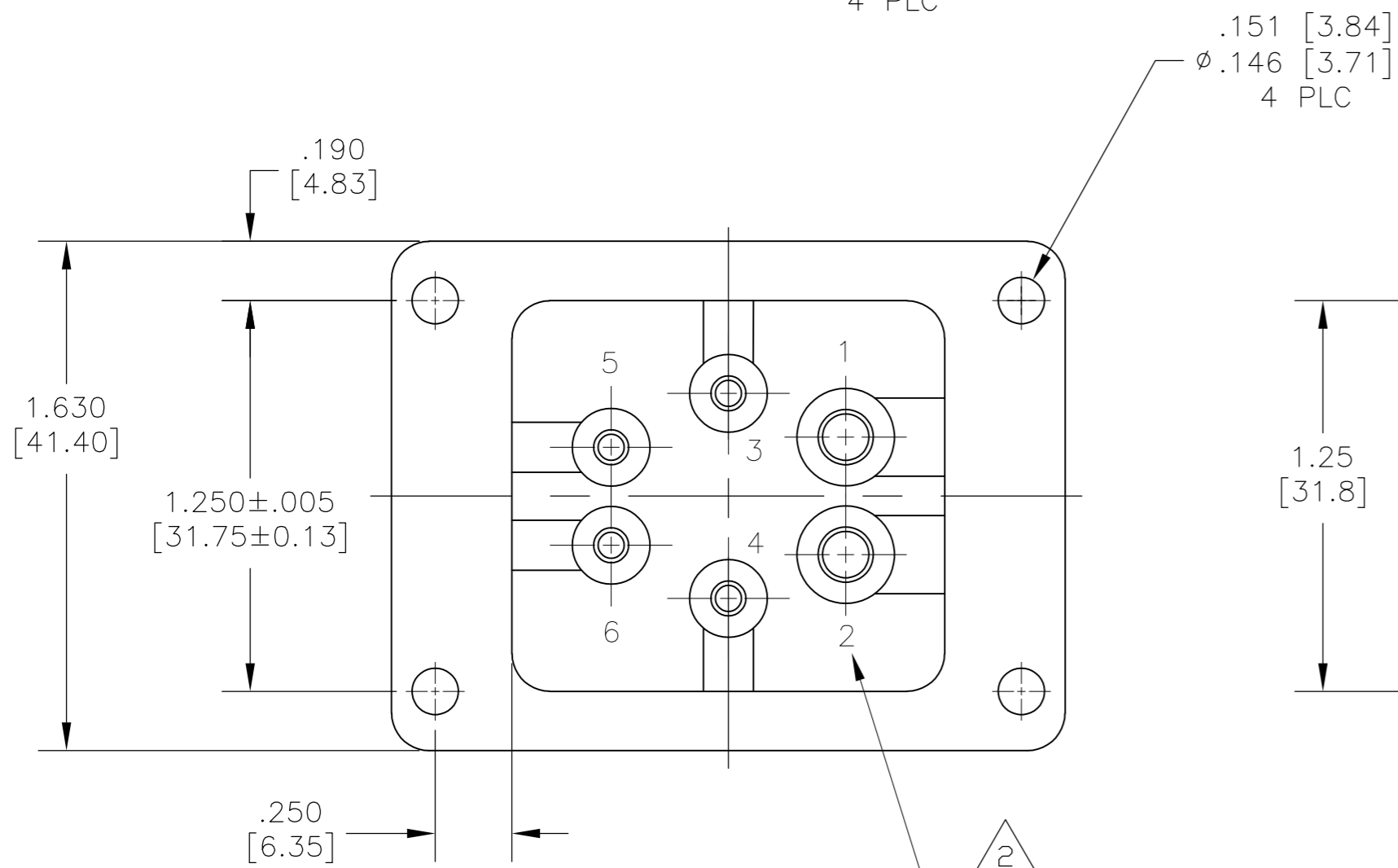


THIS DRAWING IS UNPUBLISHED. RELEASED FOR PUBLICATION
 © COPYRIGHT BY TYCO ELECTRONICS CORPORATION. ALL INTERNATIONAL RIGHTS RESERVED.

LOC	DIST	REVISIONS					
DF	S5	P	LTR	DESCRIPTION	DATE	DWN	APVD
		P		REV PER ECO-08-029386	16APR09	PY	DE



- △ CUSTOMER PART NO AND LATEST CUSTOMER REVISION LETTER MARKED PER MIL-STD-130, -1 ONLY
- △ AMP INFORMATION AND CAVITY NUMBERS MARKED PER MIL-STD-130.
- △ SOLDER CUP OPENINGS FACE OPEN GROOVE IN HOUSING, 6 PLC.
- △ THIS RECEPTACLE MATES WITH AMP PART NO 858057-1 OR 858057-2.
- △ THIS RECEPTACLE IS HERMETICALLY SEALED.
- △ THIS RECEPTACLE IS NOT HERMETICALLY SEALED.



	△ 6	858059-2
OBSELETE	△ 1 △ 5	858059-1
NOTES		PART NO

THIS DRAWING IS A CONTROLLED DOCUMENT.		DWN C.C.THOMAS 4-17-97	Tyco Electronics Corporation Harrisburg, PA 17105-3608	
DIMENSIONS: INCHES		CHK S.GLATFELTER 9-9-97	NAME RECEPTACLE, 6 POSN., LGH	
TOLERANCES UNLESS OTHERWISE SPECIFIED:		APVD S.GLATFELTER 9-9-97	PRODUCT SPEC -	
0 PLC ± -		APPLICATION SPEC -	SIZE A2	
1 PLC ± -		WEIGHT -	CAGE CODE 00779	DRAWING NO C=858059
2 PLC ± .03 [0.8]		CUSTOMER DRAWING	SCALE 2:1	SHEET 1 of 1
3 PLC ± .010 [0.25]				REV P
4 PLC ± -				
ANGLES ± -				
FINISH -				