



Chipsmall Limited consists of a professional team with an average of over 10 year of expertise in the distribution of electronic components. Based in Hongkong, we have already established firm and mutual-benefit business relationships with customers from,Europe,America and south Asia,supplying obsolete and hard-to-find components to meet their specific needs.

With the principle of “Quality Parts,Customers Priority,Honest Operation,and Considerate Service”,our business mainly focus on the distribution of electronic components. Line cards we deal with include Microchip,ALPS,ROHM,Xilinx,Pulse,ON,Everlight and Freescale. Main products comprise IC,Modules,Potentiometer,IC Socket,Relay,Connector.Our parts cover such applications as commercial,industrial, and automotives areas.

We are looking forward to setting up business relationship with you and hope to provide you with the best service and solution. Let us make a better world for our industry!



Contact us

Tel: +86-755-8981 8866 Fax: +86-755-8427 6832

Email & Skype: info@chipsmall.com Web: www.chipsmall.com

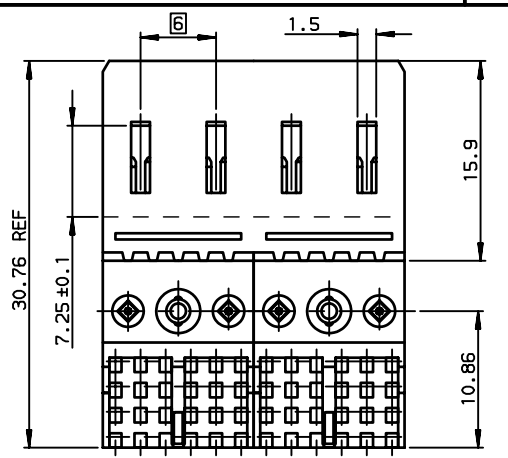
Address: A1208, Overseas Decoration Building, #122 Zhenhua RD., Futian, Shenzhen, China



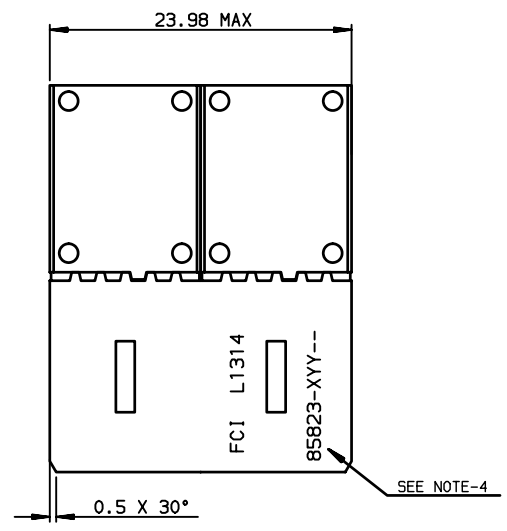
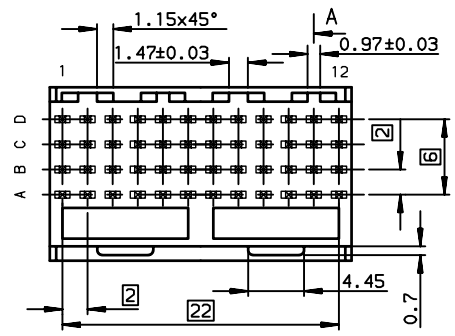
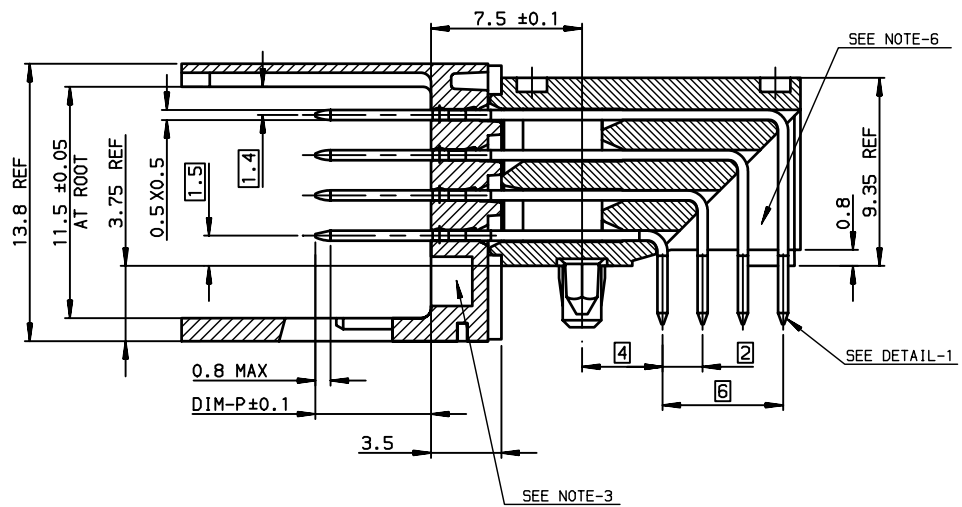
GENERAL CHARACTERISTICS AND ROHS INFORMATIONS:
SEE PRODUCT SPECIFICATION: GS-12-446

- NOTE-2: ONE CENTER PEG FOR HOLD DOWN FORCE
- NOTE-3: CODING RECESS FOR 8MM EXTENDED KEYS
- NOTE-4: PRODUCT MARKING = PRODUCT NUMBER + FCI+DATE CODE
- NOTE-5: PLATING ON MATING PART : SEE PROD SPEC GS-12-446
- NOTE-6: CENTRAL WALL WITH END REAR SUPPORT
- NOTE-7: STANDARD PACKAGING IS TUBE ,BUT IF SUFFIX "P" IS ADDED IN P/N,PACKAGING IS IN TRAYS,MARKING IS WITHOUT "P"
 Example: 85823-1xxPLF ,marking 85823-1xxLF

PART NUMBER	PERFORMANCE LEVEL
85823-1YY(LF)	STANDARD P/N, See Prod. Spec GS-12-446
85823-3YY(LF)	CUSTOMER SPECIAL , Specific Plating



SECTION-A SCALE 4/1



OTHERS INFORMATIONS,SEE DRW 85823-2

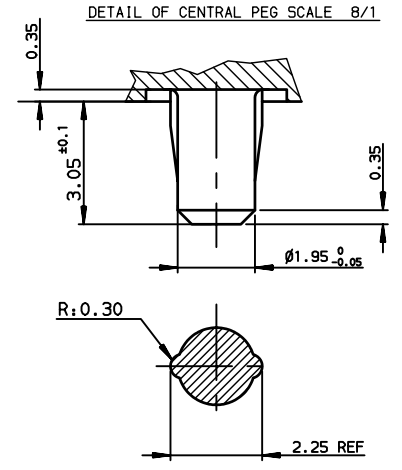
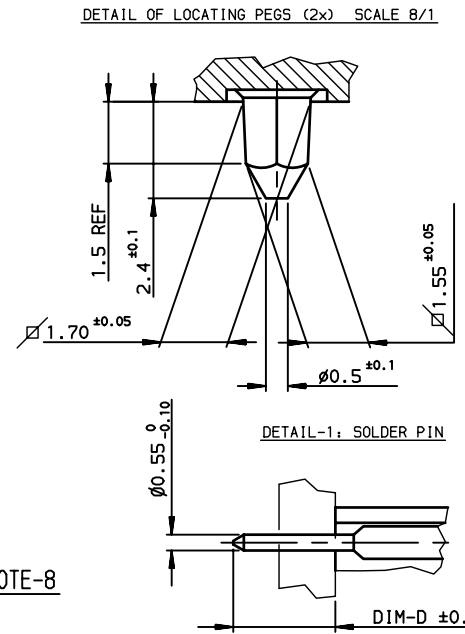
European Views

www.fciconnect.com			surface ISO 1302 ✓	tolerance std ISO 406 ISO 1101	projection mm
TOLERANCES UNLESS OTHERWISE SPECIFIED					
Dr	LENOIR	1991/04/21	ANGULAR	0.X ±0.1	size A3
Eng	LENOIR	1991/04/21	LINEAR	0.XX ±0.1	Scale 2.5:1
Chr	LEGARE	1991/04/21	0.XX' ±2'	0.XXX ±0.1	ECN LS07-0143
Appr	LEGARE	1991/04/21	Product family METRAL		Spec ref -
FCI			METRAL RA HDR STB CONVERG		Rev. L
catalog no			NB 4x12 -2MODULES -FMLB LOADING		85823-1
			CUSTOMER		sheet 1 of 2

rev	ecn no	dr	date
E	-	CHA	2003/07/02
F	LS05-0056	MLE	2005/04/20
G	LS06-0075	LGO	2006/05/22
H	LS06-0114	LGO	2006/08/12
J	LS07-0003	LGO	2006/01/04
K	LS07-0134	MLE	2007/05/14
L	LS07-0143	MLE	2007/05/21

Copyright FCI. FCI

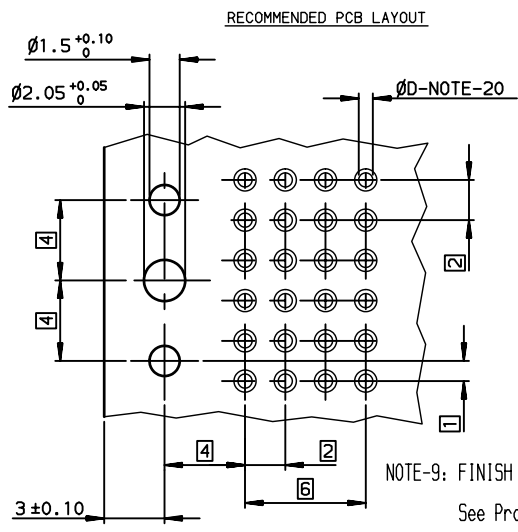
PART NUMBER / CONTACT LOADING							
DIM-P ±0.10				DIM-D ±0.30	TIN LEAD PART NUMBER	LEAD FREE PART NUMBER	
ROW-A	ROW-B	ROW-C	ROW-D				
5.00	5.00	5.00	5.00	2.90	85823-X01	85823-X01LF	
5.00	5.75	5.00	5.00	2.90	85823-X02	85823-X02LF	
5.00	5.75	6.50	5.00	2.90	85823-X03	85823-X03LF	
5.00	5.00	6.50	5.00	2.90	85823-X04	85823-X04LF	
5.75	5.75	5.75	5.75	2.90	85823-X05	85823-X05LF	
6.50	5.75	5.00	5.75	2.90	85823-X06	85823-X06LF	
6.50	6.50	6.50	5.75	2.90	85823-X07	85823-X07LF	
6.50	5.75	6.50	5.75	2.90	85823-X08	85823-X08LF	
6.50	5.00	5.00	5.00	2.90	85823-X09	85823-X09LF	
5.75	5.75	5.75	5.75	3.70	85823-X10	85823-X10LF	
-	-	-	-	2.90	85823-X11	85823-X11LF	SEE NOTE-8



NOTE-8: CONTACT LOADING SEPCIF 85823-X11 (LF).

	1								12			
D	5.00	5.00	5.00	5.00	5.00	5.00	5.00	5.00	5.00	6.50	5.00	5.00
C	5.00	5.00	5.00	5.00	5.00	5.00	5.00	5.00	5.00	6.50	5.00	5.00
B	5.00	5.00	5.00	5.00	5.00	5.00	5.00	5.00	5.00	5.00	5.00	5.00
A	5.00	5.00	5.00	5.00	5.00	5.00	5.00	5.00	5.00	5.00	5.00	5.00

OTHERS INFORMATIONS, SEE DRW 85823-1



rev	ecn no	dr	date
E	-	CHA	2003/07/02
F	LS05-0056	LGO	2005/04/20
G	LS06-0075	LGO	2006/05/22
H	LS06-0114	LGO	2006/08/12
J	LS07-0003	LGO	2007/01/04
K	LS07-0134	MLE	2007/05/14
L	LS07-0143	MLE	2007/05/21

www.fciconnect.com			surface ISO 1302 ✓	tolerance std ISO 406 ISO 1101	projection mm
TOLERANCES UNLESS OTHERWISE SPECIFIED					
Dr	LENOIR	1994/04/21	ANGULAR	0.X ±0.1	size A3
Eng	LENOIR	1994/04/21	LINEAR	0.XX ±0.1	Scale 4:1
Chr	LEGARE	1994/04/21	0.XX' ±2'	0.XXX ±0.1	ECN LS07-0143
Appr	LEGARE	1994/04/21	Product family	METRAL	Spec ref -
title METRAL RA HDR STB CONVERG			dwg no 85823-2		Rev. L
catalog no			CUSTOMER		sheet 2 of 2