



Chipsmall Limited consists of a professional team with an average of over 10 year of expertise in the distribution of electronic components. Based in Hongkong, we have already established firm and mutual-benefit business relationships with customers from,Europe,America and south Asia,supplying obsolete and hard-to-find components to meet their specific needs.

With the principle of "Quality Parts,Customers Priority,Honest Operation,and Considerate Service",our business mainly focus on the distribution of electronic components. Line cards we deal with include Microchip,ALPS,ROHM,Xilinx,Pulse,ON,Everlight and Freescale. Main products comprise IC,Modules,Potentiometer,IC Socket,Relay,Connector.Our parts cover such applications as commercial,industrial, and automotives areas.

We are looking forward to setting up business relationship with you and hope to provide you with the best service and solution. Let us make a better world for our industry!



## Contact us

Tel: +86-755-8981 8866 Fax: +86-755-8427 6832

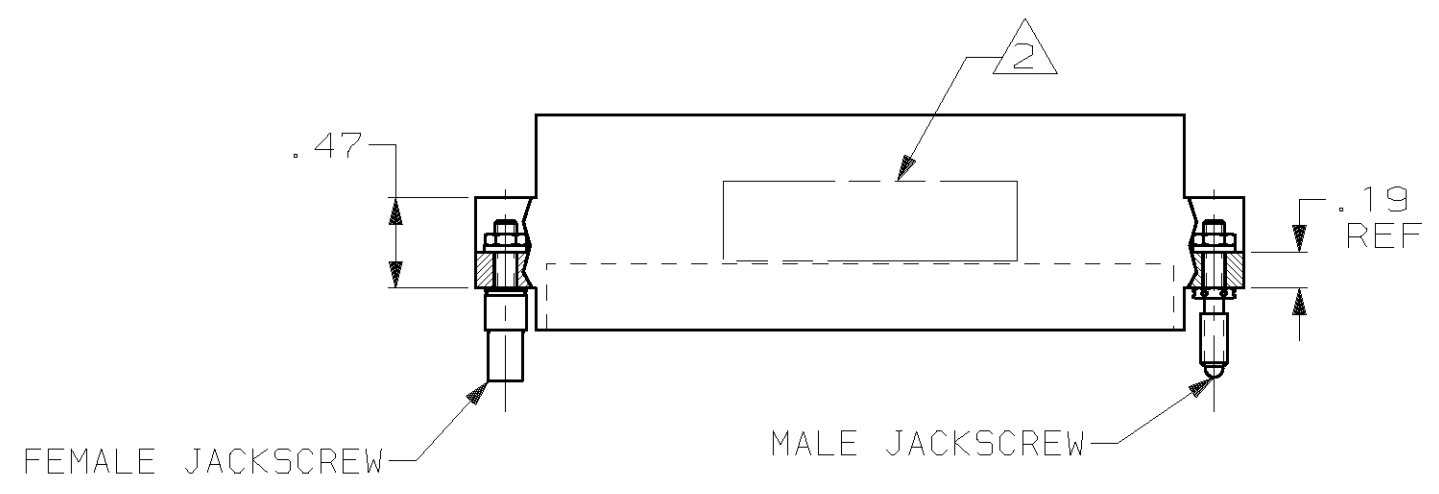
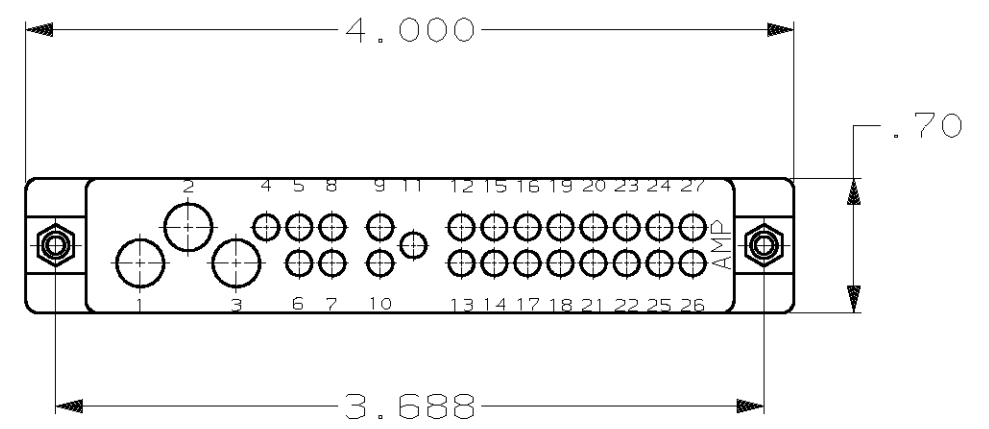
Email & Skype: info@chipsmall.com Web: www.chipsmall.com

Address: A1208, Overseas Decoration Building, #122 Zhenhua RD., Futian, Shenzhen, China

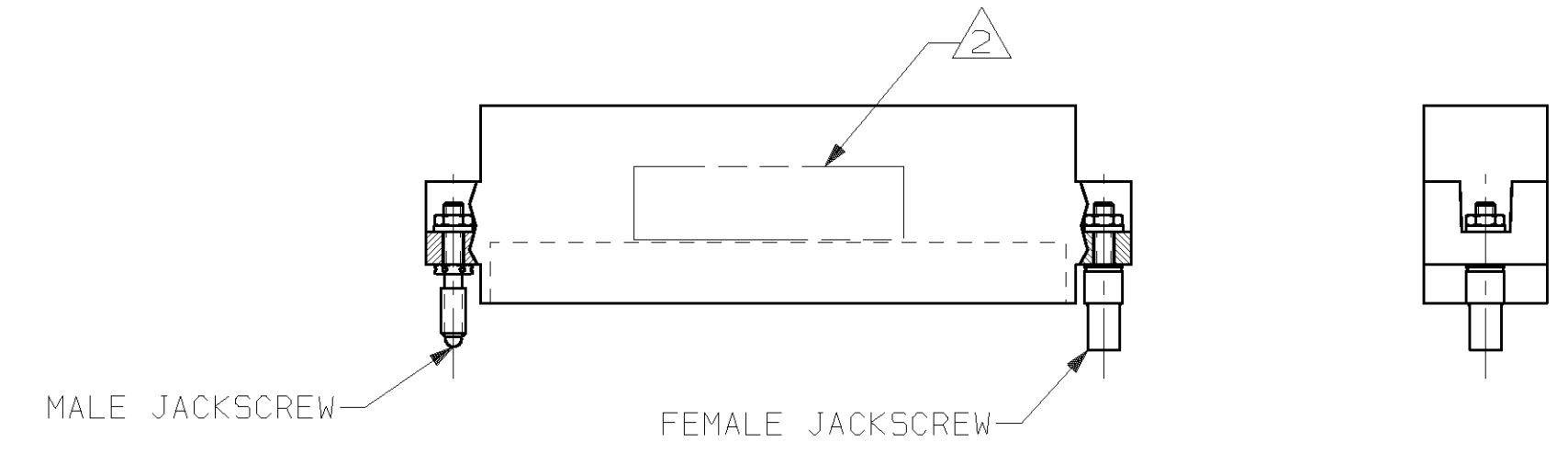
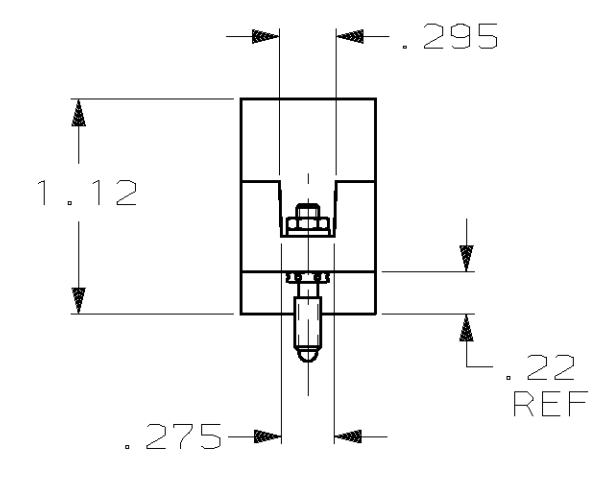
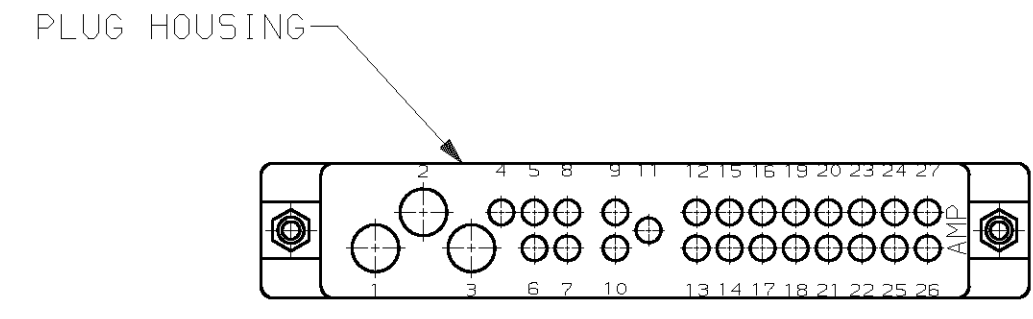


THIS DRAWING IS UNPUBLISHED. RELEASED FOR PUBLICATION, 19  
 (C) COPYRIGHT 19 BY AMP INCORPORATED, ALL RIGHTS RESERVED.

LOC	DIST	REVISIONS			
P	LTR	DESCRIPTION	DATE	DWN	APVD
DF	SO	F	REV PER 063D-0374-01	12-02	CT DE



858575-4 ONLY



858575-5 ONLY

- DIMENSIONS SHOWN FOR 858575-4 ALSO APPLY FOR 858575-5.
- AMP INFORMATION MARKED IN THIS AREA.
- CONTACTS ARE NOT SUPPLIED WITH EITHER CONNECTOR.
- CONNECTOR IS SUPPLIED WITH 6 "O"-RINGS. AFTER INSERTING CONTACTS IN THE CONNECTOR; CUSTOMER MUST INSTALL (2) "O"-RINGS OVER EACH PIN, ON INTERFACE SURFACE, AT POSITIONS #9,10 & 11.
- 858575-1, -2 & -3 ARE OBSOLETE.

THIS DRAWING IS A CONTROLLED DOCUMENT.		DWN C.C.THOMAS 7-26-01	AMP TYCO Electronics Corporation Harrisburg, PA 17105-3608	
DIMENSIONS: INCHES		CHK D.EABY 7-26-01	NAME PLUG ASSY, LGH (27 POSN)	
TOLERANCES UNLESS OTHERWISE SPECIFIED: 0 PLC ± 1 PLC ± 2 PLC ±.04 3 PLC ±.005 4 PLC ± ANGLES ±		APVD D.EABY 7-26-01	SIZE A2	
MATERIAL MOLDED GLASS EPOXY		FINISH -	WEIGHT -	CAGE CODE 858575
		CUSTOMER DRAWING		RESTRICTED TO -
		SCALE 1:1	SHEET 1 OF 1	REV F