



Chipsmall Limited consists of a professional team with an average of over 10 year of expertise in the distribution of electronic components. Based in Hongkong, we have already established firm and mutual-benefit business relationships with customers from,Europe,America and south Asia,supplying obsolete and hard-to-find components to meet their specific needs.

With the principle of “Quality Parts,Customers Priority,Honest Operation,and Considerate Service”,our business mainly focus on the distribution of electronic components. Line cards we deal with include Microchip,ALPS,ROHM,Xilinx,Pulse,ON,Everlight and Freescale. Main products comprise IC,Modules,Potentiometer,IC Socket,Relay,Connector.Our parts cover such applications as commercial,industrial, and automotives areas.

We are looking forward to setting up business relationship with you and hope to provide you with the best service and solution. Let us make a better world for our industry!



Contact us

Tel: +86-755-8981 8866 Fax: +86-755-8427 6832

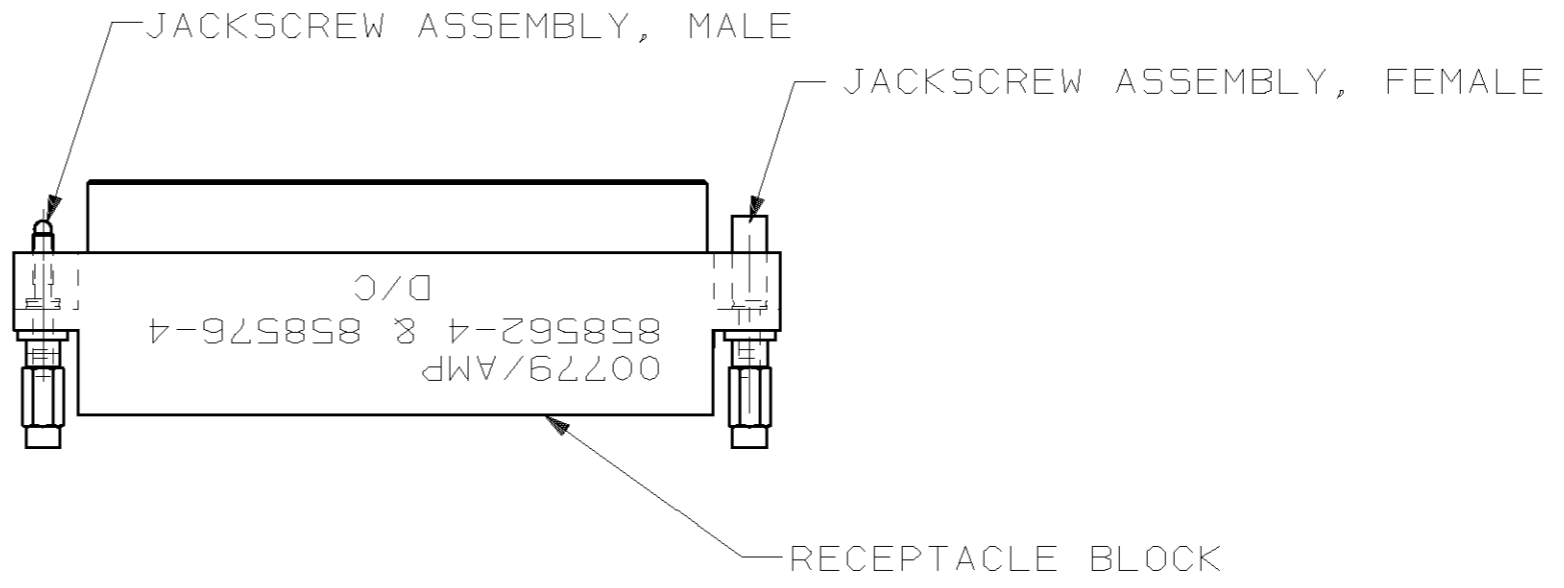
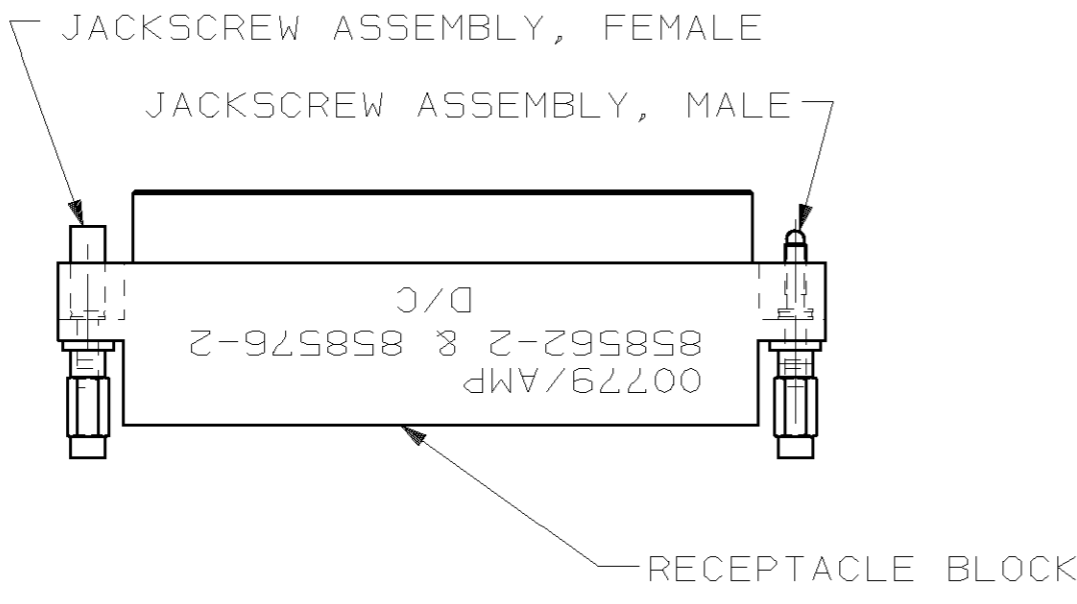
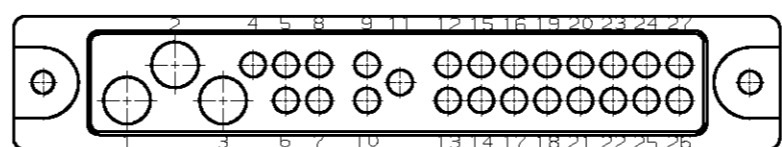
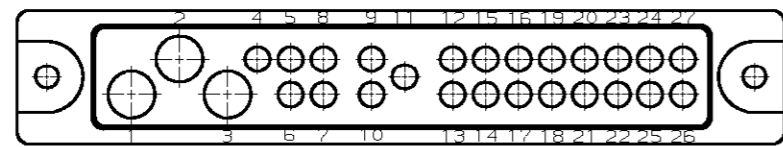
Email & Skype: info@chipsmall.com Web: www.chipsmall.com

Address: A1208, Overseas Decoration Building, #122 Zhenhua RD., Futian, Shenzhen, China



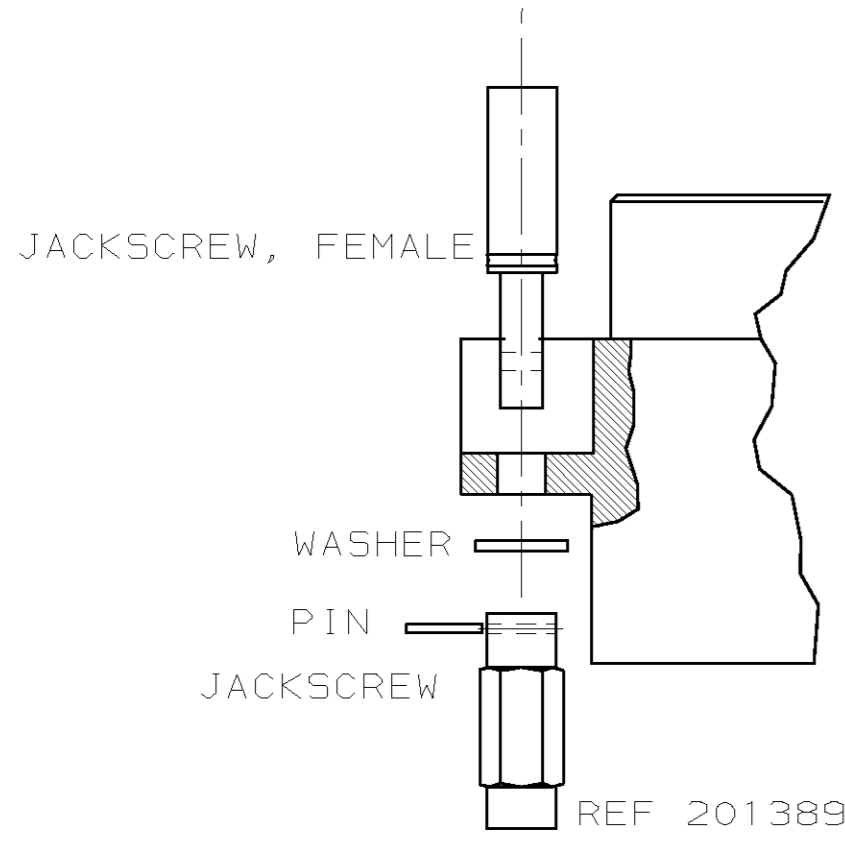
LOC		DIST		P		F		ZONE		LTR		REVISIONS		DATE	APPD
DF	DO											D	REV PER 0600-8481-99 JEB	2-00	DE

MARK AMP, BOTH AMP PART NUMBERS AND DATE CODE PER 115-36004-1. BOTH PART NUMBERS SHOWN BELOW.

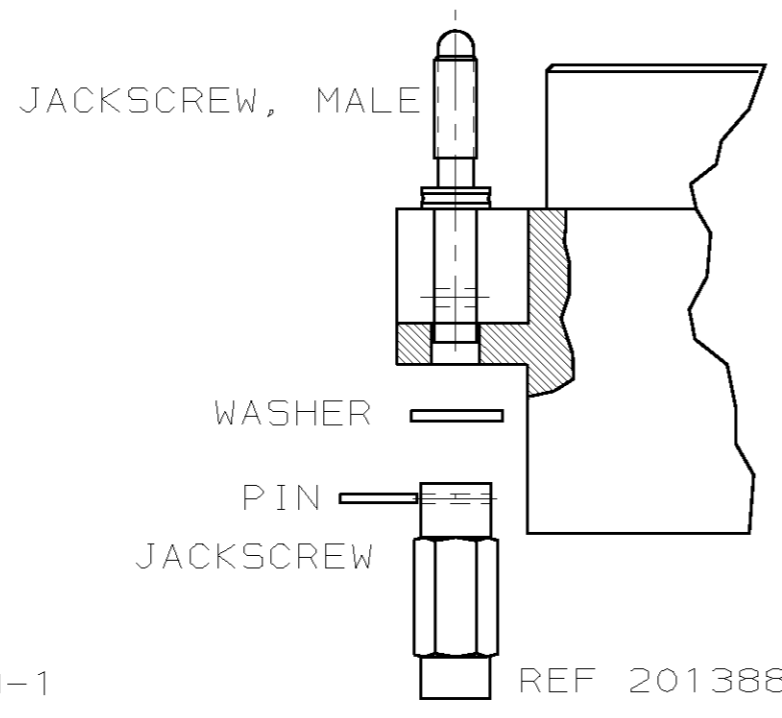


PART NO 858676-2


PART NO 858676-4



REF 201389-1
FEMALE JACKSCREW KIT
TYPICAL
SCALE 2:1



REF 201388-1
MALE JACKSCREW KIT
TYPICAL
SCALE 2:1

DO NOT SCALE PRINT. UNLESS SPECIFIED DIMENSIONS IN mm [INCHES] TOLERANCES ON : 2 PLC DEC ± - 3 PLC DEC ± - ANGLES ± -		DR 02FEB00 J.E.BEATTY		PART NO	
MATERIAL MOLDED GLASS EPOXY		CHK 02FEB00 D.G.EABY		 AMP Incorporated Harrisburg, PA 17105-3608	
FINISH NATURAL		APPD 02FEB00 D.G.EABY			
MATERIAL		APPD 02FEB00 D.G.EABY		NAME RECEPTACLE ASSEMBLY LDG	
FINISH		APPLICATION SPEC		SIZE C 00779	CAGE CODE C=858576
MATERIAL		PRODUCT SPEC		SCALE -	DRAWING NO C=858576
FINISH		WEIGHT		SHEET 1 OF 1	

THIS DRAWING IS A CONTROLLED DOCUMENT FOR AMP INCORPORATED. IT IS SUBJECT TO CHANGE AND THE CONTROLLING ENGINEERING ORGANIZATION SHOULD BE CONTACTED FOR THE LATEST REVISION.