



Chipsmall Limited consists of a professional team with an average of over 10 year of expertise in the distribution of electronic components. Based in Hongkong, we have already established firm and mutual-benefit business relationships with customers from,Europe,America and south Asia,supplying obsolete and hard-to-find components to meet their specific needs.

With the principle of “Quality Parts,Customers Priority,Honest Operation,and Considerate Service”,our business mainly focus on the distribution of electronic components. Line cards we deal with include Microchip,ALPS,ROHM,Xilinx,Pulse,ON,Everlight and Freescale. Main products comprise IC,Modules,Potentiometer,IC Socket,Relay,Connector.Our parts cover such applications as commercial,industrial, and automotives areas.

We are looking forward to setting up business relationship with you and hope to provide you with the best service and solution. Let us make a better world for our industry!



Contact us

Tel: +86-755-8981 8866 Fax: +86-755-8427 6832

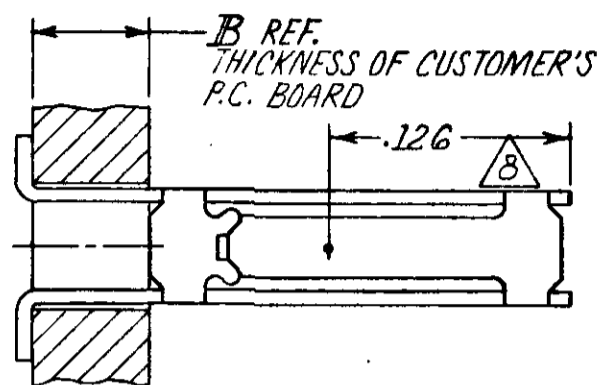
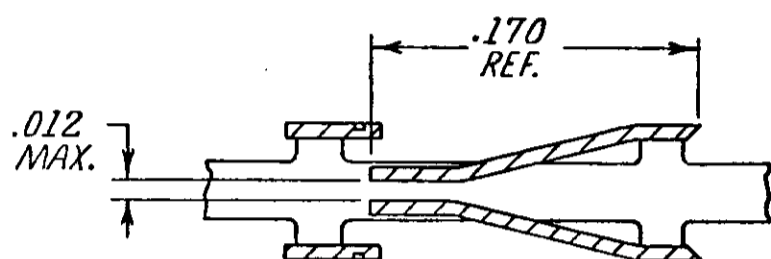
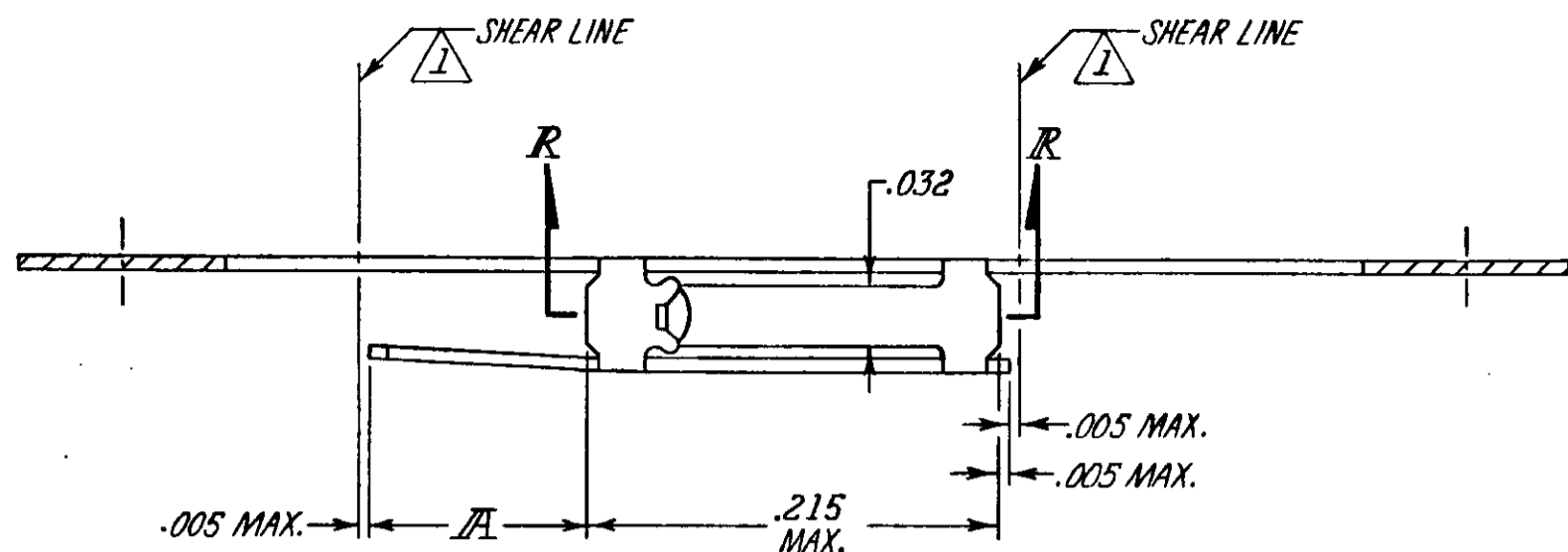
Email & Skype: info@chipsmall.com Web: www.chipsmall.com

Address: A1208, Overseas Decoration Building, #122 Zhenhua RD., Futian, Shenzhen, China

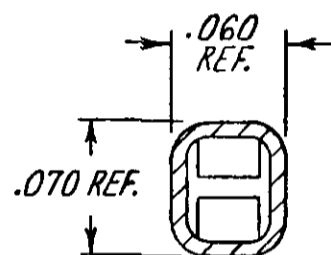
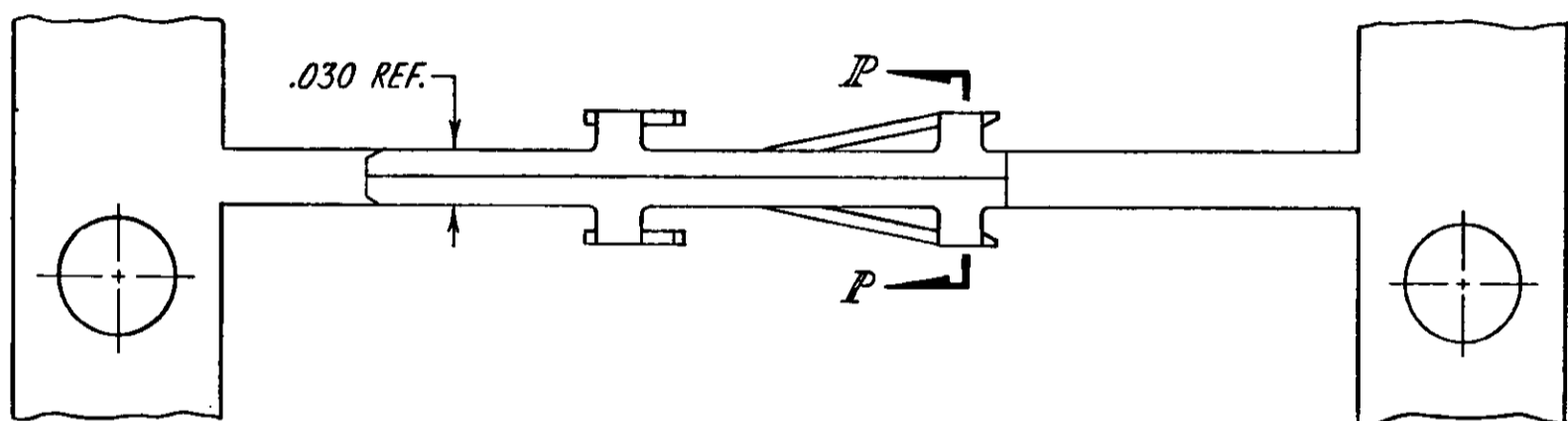


THIS DRAWING IS UNPUBLISHED. RELEASED FOR PUBLICATION 19
 © COPYRIGHT 1983 BY AMP INCORPORATED, HARRISBURG, PA. ALL INTERNATIONAL RIGHTS RESERVED. AMP PRODUCTS MAY BE COVERED BY U.S. AND FOREIGN PATENTS AND/OR PATENTS PENDING.

		REVISIONS			
P	F	ZONE/LTR	DESCRIPTION	DATE	APPROVED
✓	✓	K	REVISED & REDRAWN. ECN-AD 0105		
✓	✓	L	ECN AD 2068	JH 12-87	JH
✓	✓	L1	RE-ACTIVATED -7	db 9-88	db
✓	✓	L2	OBS -8, 1--3; AD-2980	db 5-89	db
✓	✓	M	REACTIVATE 1--3-ECN AD-3988	db	db
✓	✓	N	REV PER 0010-1847-93	JK 1-95	JK
✓	✓	P	REV PER 0010-0847-96	EE 12-96	EE
✓	✓	R	REI PER 0010-0721-96	EE 12-96	EE



TYPICAL APPLICATION

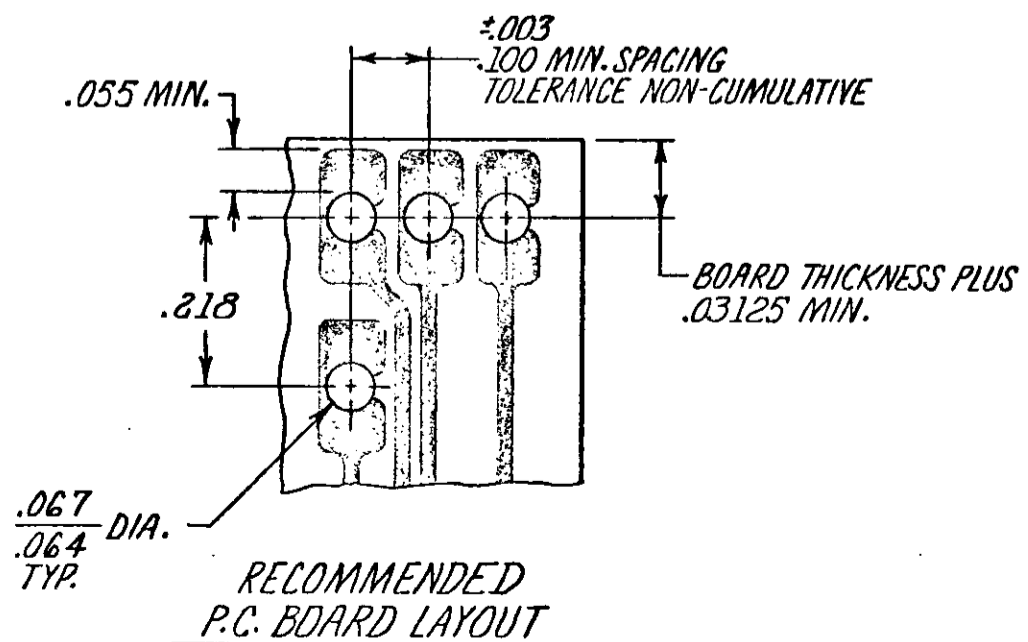


SECTION P-P

- 1 SHEAR LINES DEFINE LOOSE PIECE PART.
- 2 TERMINALS REELED FOR USE WITH AMPMODU MINI-APPLICATOR
- 3 TERMINALS REELED FOR USE WITH AMPMODU STANDARD APPLICATOR
- 4 .000030 GOLD OVER .000050 NICKEL
- 5 TIN PLATE
- 6 GOLD FLASH OVER .000050 NICKEL ENTIRE CONTACT, .000030 GOLD IN CONTACT AREA ONLY
- 7 .000050 GOLD OVER .000050-.000100 NICKEL
- 8 POINT OF MEASUREMENT FOR PL.

* SLASHED P/N'S ARE OBSOLETE

LOOSE PIECE PART NUMBER	FINISH	B	A	STRIP PART NO. 3	STRIP PART NO. 2
1-85865-1	7	.062	.115	—	2-85862-6
—	6	.031	.080	—	2-85862-6
1-85865-0	6	.125	.175	1-85862-9	1-85862-6
—	9	.125	.175	1-85862-8	1-85862-6
—	8	.125	.175	1-85862-7	1-85862-6
—	7	.093	.145	1-85862-6	1-85862-6
—	6	.093	.145	1-85862-5	1-85862-6
—	5	.093	.145	1-85862-4	1-85862-6
—	4	.062	.115	1-85862-3	1-85862-6
OBSOLETE-3	5	.062	.115	1-85862-2	1-85862-6
85865-2	4	.062	.115	1-85862-1	85862-2



UNLESS OTHERWISE SPECIFIED DIMENSIONS ARE IN INCHES. TOLERANCES ON: DECIMALS ±.005 ANGLES ±	CONTRACT NO	AMP AMP INCORPORATED Harrisburg, Pa. 17105		
	DR <i>D. Bissler</i> 12-29-83	NAME CONTACT, RECEPTACLE, MOD II, SHORT POINT-OF-CONTACT, STRIP		
MATERIAL PHOSPHOR BRONZE	CHK <i>James P. Scholz</i> 1-3-84	APPD <i>James P. Scholz</i> 1-3-84	APPD <i>W. Bissler</i> 1-4-84	SIZE C
FINISH SEE TABLE	DSGN APPD	OTHER APPD	FSCM NO 00779	DRAWING NO 85862
			SCALE	SHEET 1 OF 1

29858