



Chipsmall Limited consists of a professional team with an average of over 10 year of expertise in the distribution of electronic components. Based in Hongkong, we have already established firm and mutual-benefit business relationships with customers from,Europe,America and south Asia,supplying obsolete and hard-to-find components to meet their specific needs.

With the principle of "Quality Parts,Customers Priority,Honest Operation,and Considerate Service",our business mainly focus on the distribution of electronic components. Line cards we deal with include Microchip,ALPS,ROHM,Xilinx,Pulse,ON,Everlight and Freescale. Main products comprise IC,Modules,Potentiometer,IC Socket,Relay,Connector.Our parts cover such applications as commercial,industrial, and automotives areas.

We are looking forward to setting up business relationship with you and hope to provide you with the best service and solution. Let us make a better world for our industry!



Contact us

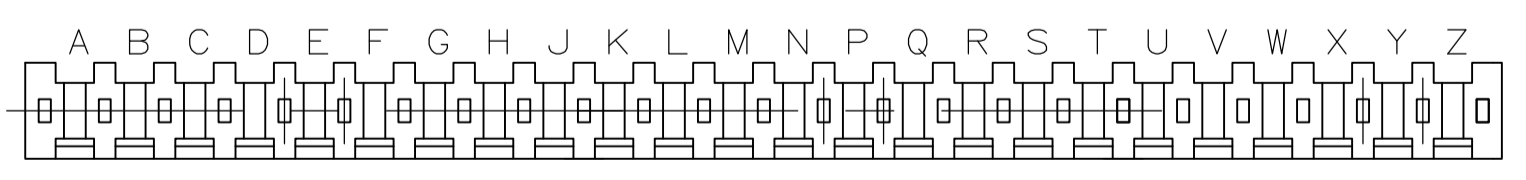
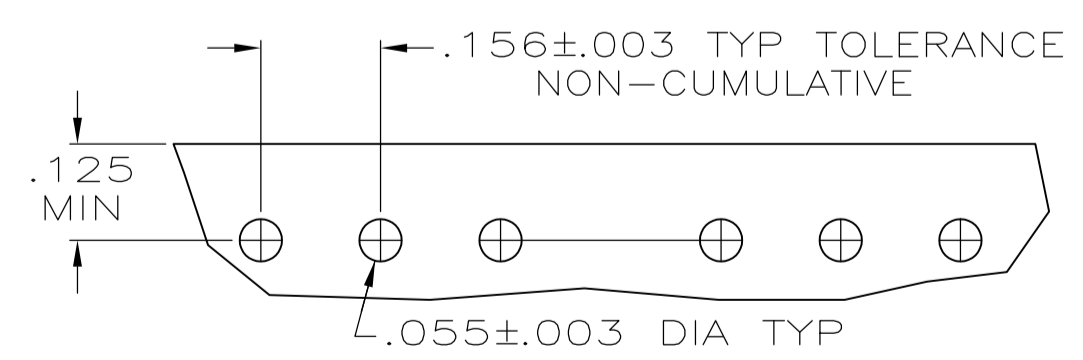
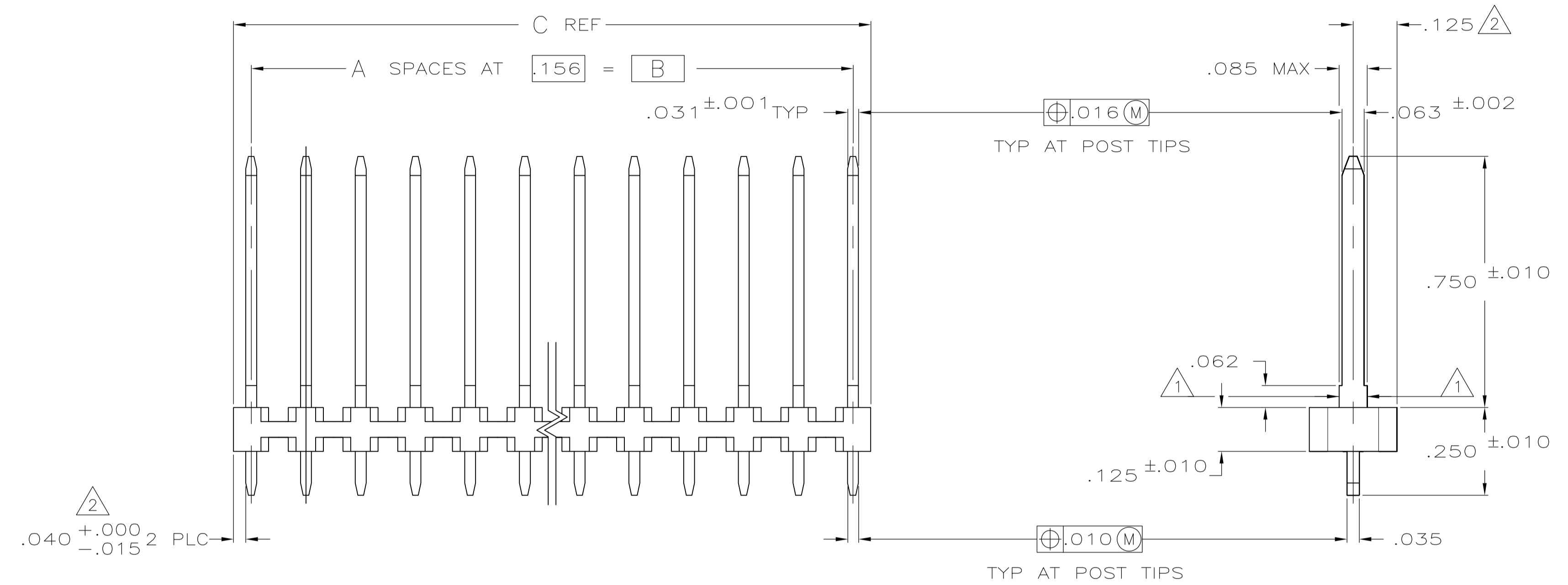
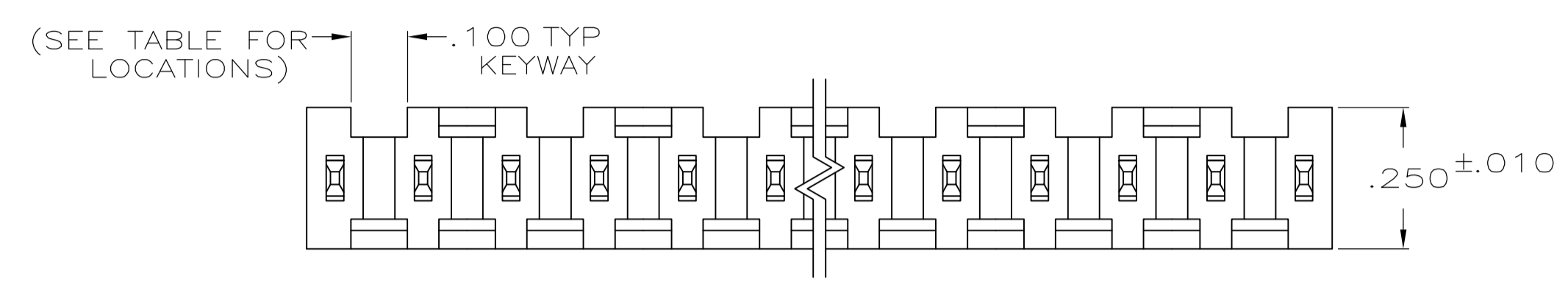
Tel: +86-755-8981 8866 Fax: +86-755-8427 6832

Email & Skype: info@chipsmall.com Web: www.chipsmall.com

Address: A1208, Overseas Decoration Building, #122 Zhenhua RD., Futian, Shenzhen, China



- 1 THESE SURFACES WILL NOT BE PLATED
- 2 THE NOTED DIMENSIONS APPLY AT THE INTERSECTION OF THE POST AND THE HOUSING HOUSING
- 3 FLAME RETARDANT THERMOPLASTIC, COLOR-BLACK POST: BRASS
- 4 .000100-.000200 TIN-LEAD OVER .000030 NICKEL
- 5 .000100-.000200 MATTE TIN OVER .000030 NICKEL
- 6 ROHS 2002/95/EC COMPLIANT
- 7 OBSOLETE PARTS: OBSOLETE CIS STREAMLINING PER D.RENAUD/D.SINISI



KEYWAY LOCATIONS (REF-SEE TABLE)
(MATING LENGTH OF POST ON NEAR SIDE)
SCALE: 2:1

FINISH	KEYWAY LOCATIONS	NO OF KEYWAY	C	B	A	NO OF POSN	ASSEMBLY PART NUMBER
	A,C,E,H,K,M,Q,S,U,W,Y	11	3.855	3.744	24	25	7-85875-5
	A,C,E,G,J,L,N,Q,S,U,W,Y	12	3.699	3.588	23	24	7-85875-4
	A,C,E,G,J,L,N,Q,S,U,W	11	3.387	3.276	21	22	7-85875-3
	A,D,G,K,N,R,U	7	3.231	3.120	20	21	7-85875-2
	A,C,E,G,J,L,N,Q,S,U	10	3.075	2.964	19	20	7-85875-1
	B,D,F,J,L,N,Q,S	8	2.919	2.808	18	19	7-85875-0
	A,D,F,J,M,P,S	7	2.763	2.652	17	18	6-85875-9
	A,D,G,K,N,R	6	2.607	2.496	16	17	6-85875-8
	A,C,E,G,J,L,N,Q	8	2.451	2.340	15	16	6-85875-7
	A,D,G,K,N	5	2.295	2.184	14	15	6-85875-6
	A,C,E,G,J,L,N	7	2.139	2.028	13	14	6-85875-5
	A,D,J,M	4	1.983	1.872	12	13	6-85875-4
	A,D,G,K	4	1.671	1.560	10	11	6-85875-3
	A,C,E,G,J	5	1.515	1.404	9	10	6-85875-2
	A,C,E,G	4	1.203	1.092	7	8	6-85875-1
	A,C,E	3	1.047	.936	6	7	6-85875-0
	A,C,E	3	.891	.780	5	6	5-85875-9
	A	1	.423	.312	2	3	5-85875-8
	A	1	.267	.156	1	2	5-85875-7
	NONE	NONE	.111	-	-	1	5-85875-6
	A,D,G,K,N,R,U,X	8	3.543	3.432	22	23	5-85875-5
	A,C,E,G,J,L	2	1.827	1.716	11	12	5-85875-4
	A,D,G	3	1.359	1.248	8	9	5-85875-3
	A,D	2	.735	.624	4	5	5-85875-2
	A,C	2	.579	.468	3	4	5-85875-1
	NONE	NONE	5.415	5.304	34	35	3-85875-5
	NONE	NONE	5.259	5.148	33	34	3-85875-4
	NONE	NONE	5.103	4.992	32	33	3-85875-3
	NONE	NONE	4.947	4.836	31	32	3-85875-2
	NONE	NONE	4.791	4.680	30	31	3-85875-1
	NONE	NONE	4.635	4.524	29	30	3-85875-0
	NONE	NONE	4.479	4.368	28	29	2-85875-9
	NONE	NONE	4.323	4.212	27	28	2-85875-8
	NONE	NONE	4.167	4.056	26	27	2-85875-7
	NONE	NONE	4.011	3.900	25	26	2-85875-6
	A,C,E,H,K,M,Q,S,U,W,Y	11	3.855	3.744	24	25	2-85875-5
	A,C,E,G,J,L,N,Q,S,U,W,Y	12	3.699	3.588	23	24	2-85875-4
	A,C,E,G,J,L,N,Q,S,U,W	11	3.387	3.276	21	22	2-85875-3
	A,D,G,K,N,R,U	7	3.231	3.120	20	21	2-85875-2
	A,C,E,G,J,L,N,Q,S,U	10	3.075	2.964	19	20	2-85875-1
	B,D,F,J,L,N,Q,S	8	2.919	2.808	18	19	2-85875-0
	A,D,F,J,M,P,S	7	2.763	2.652	17	18	1-85875-9
	A,D,G,K,N,R	6	2.607	2.496	16	17	1-85875-8
	A,C,E,G,J,L,N,Q	8	2.451	2.340	15	16	1-85875-7
	A,D,G,K,N	5	2.295	2.184	14	15	1-85875-6
	A,C,E,G,J,L,N	7	2.139	2.028	13	14	1-85875-5
	A,D,J,M	4	1.983	1.872	12	13	1-85875-4
	A,D,G,K	4	1.671	1.560	10	11	1-85875-3
	A,C,E,G,J	5	1.515	1.404	9	10	1-85875-2
	A,C,E,G	4	1.203	1.092	7	8	1-85875-1
	A,C,E	3	1.047	.936	6	7	1-85875-0
	A,C,E	3	.891	.780	5	6	85875-9
	A	1	.423	.312	2	3	85875-8
	A	1	.267	.156	1	2	85875-7
	NONE	NONE	.111	-	-	1	85875-6
	A,D,G,K,N,R,U,X	8	3.543	3.432	22	23	85875-5
	A,C,E,G,J,L	2	1.827	1.716	11	12	85875-4
	A,D,G	3	1.359	1.248	8	9	85875-3
	A,D	2	.735	.624	4	5	85875-2
	A,C	2	.579	.468	3	4	85875-1

THIS DRAWING IS A CONTROLLED DOCUMENT.

DIN 3-16-87

L.A.MAYER

3-18-87

F.B.HURBEN

NAME

PRODUCT SPEC

108-25016

APPLICATION SPEC

SIZE

A1

WEIGHT

00779

85875

CUSTOMER DRAWING

SCALE 4:1

SHEET 1 OF 1

REV AE5

TE Connectivity

HEADER ASSEMBLY, MOD I, VERTICAL, SINGLE ROW, .156