



Chipsmall Limited consists of a professional team with an average of over 10 year of expertise in the distribution of electronic components. Based in Hongkong, we have already established firm and mutual-benefit business relationships with customers from,Europe,America and south Asia,supplying obsolete and hard-to-find components to meet their specific needs.

With the principle of “Quality Parts,Customers Priority,Honest Operation,and Considerate Service”,our business mainly focus on the distribution of electronic components. Line cards we deal with include Microchip,ALPS,ROHM,Xilinx,Pulse,ON,Everlight and Freescale. Main products comprise IC,Modules,Potentiometer,IC Socket,Relay,Connector.Our parts cover such applications as commercial,industrial, and automotives areas.

We are looking forward to setting up business relationship with you and hope to provide you with the best service and solution. Let us make a better world for our industry!



Contact us

Tel: +86-755-8981 8866 Fax: +86-755-8427 6832

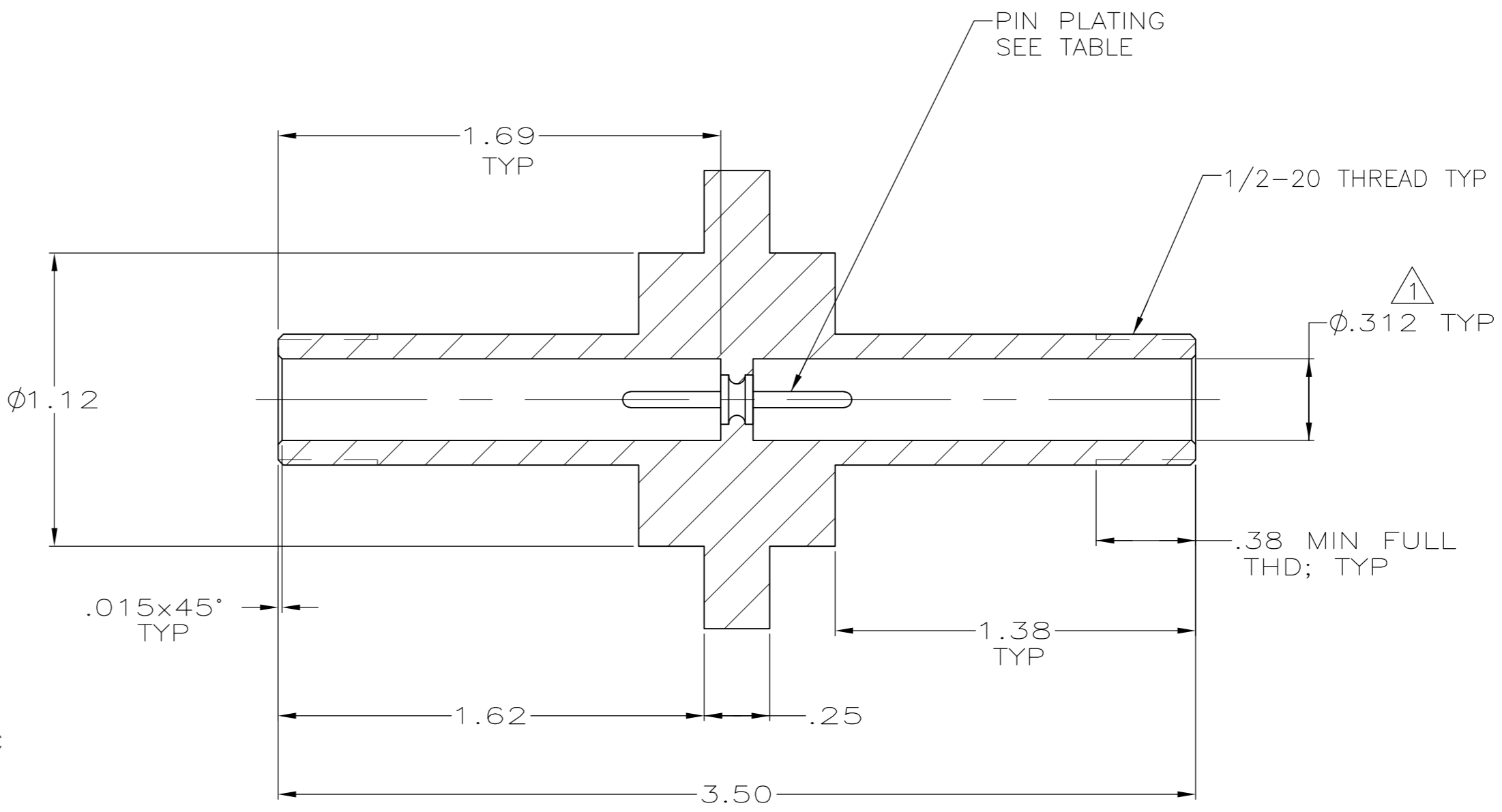
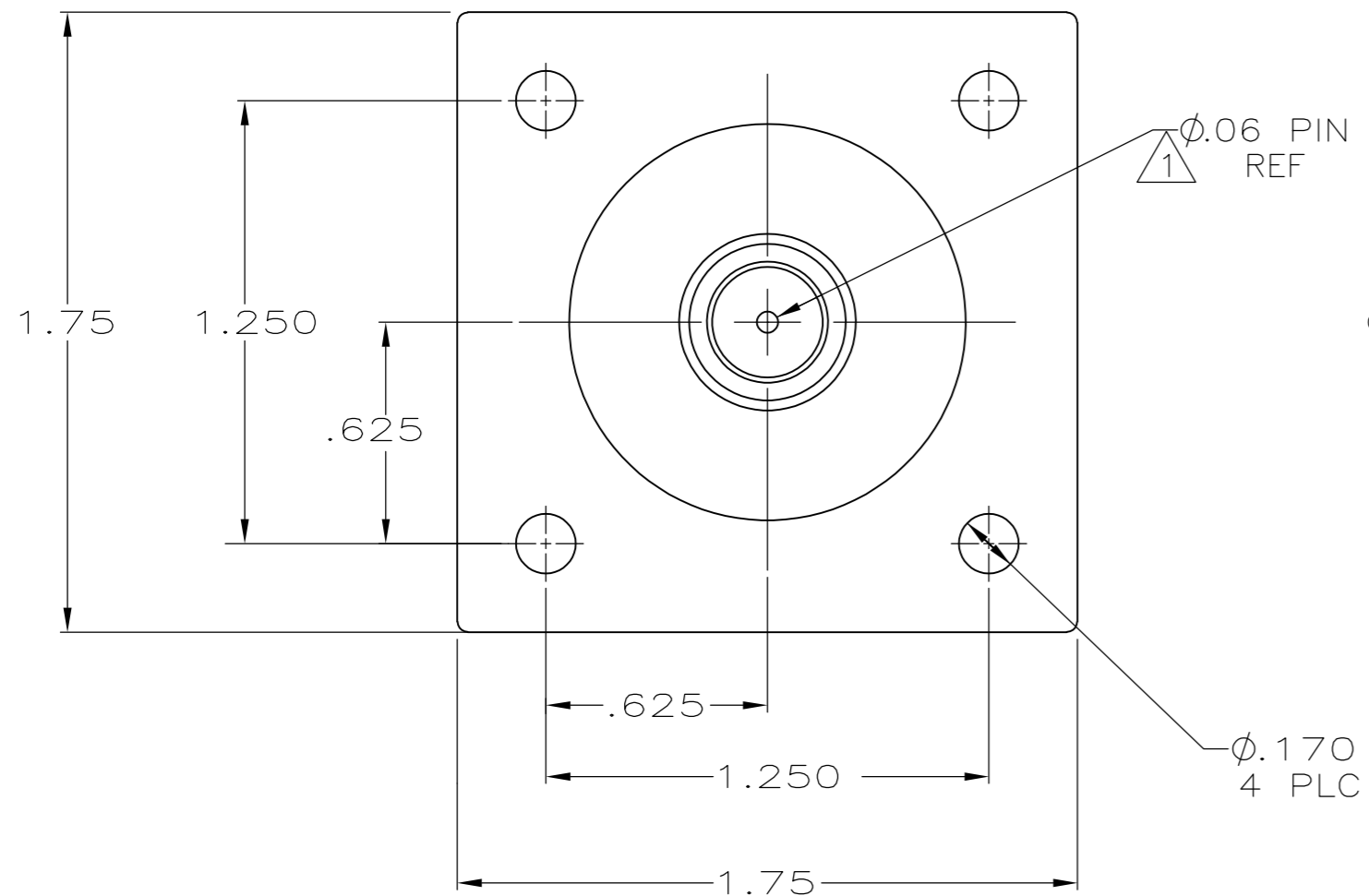
Email & Skype: info@chipsmall.com Web: www.chipsmall.com

Address: A1208, Overseas Decoration Building, #122 Zhenhua RD., Futian, Shenzhen, China



THIS DRAWING IS UNPUBLISHED. RELEASED FOR PUBLICATION
 © COPYRIGHT BY TYCO ELECTRONICS CORPORATION. ALL INTERNATIONAL RIGHTS RESERVED.

LOC	DIST	REVISIONS			
P	LTR	DESCRIPTION	DATE	DWN	APVD
DF	S0	F	REVISED PER ECO-10-025046	23DEC10	SK DE



- 1. DIAMETERS TO BE CONCENTRIC WITHIN .015 T.I.R.
- 2. RECEPTACLE WILL MATE WITH AMP-1L LEAD ASSEMBLY. AVAILABLE SEPARATELY.

GOLD PLATED CENTER PIN	858873-2
TIN PLATED CENTER PIN	858873-1
PIN FINISH	PART NUMBER

THIS DRAWING IS A CONTROLLED DOCUMENT.		DWN C.C.THOMAS 2-11-03	Tyco Electronics Corporation Harrisburg, PA 17105-3608																			
DIMENSIONS: INCHES		CHK D.EABY 2-11-03	NAME RECEPTACLE ASSY,FEED-THRU,LGH-1L																			
TOLERANCES UNLESS OTHERWISE SPECIFIED:		APVD D.EABY 2-11-03	PRODUCT SPEC																			
<table border="1"> <tr><td>0 PLC</td><td>±</td><td>-</td></tr> <tr><td>1 PLC</td><td>±</td><td>-</td></tr> <tr><td>2 PLC</td><td>±</td><td>.03</td></tr> <tr><td>3 PLC</td><td>±</td><td>.015</td></tr> <tr><td>4 PLC</td><td>±</td><td>-</td></tr> <tr><td>ANGLES</td><td>±</td><td>-</td></tr> </table>		0 PLC	±	-	1 PLC	±	-	2 PLC	±	.03	3 PLC	±	.015	4 PLC	±	-	ANGLES	±	-	APPLICATION SPEC	RESTRICTED TO	
0 PLC	±	-																				
1 PLC	±	-																				
2 PLC	±	.03																				
3 PLC	±	.015																				
4 PLC	±	-																				
ANGLES	±	-																				
MATERIAL MOLDED GLASS EPOXY	FINISH BLACK	WEIGHT -	SIZE A2	CAGE CODE 00779																		
CUSTOMER DRAWING		SCALE 2:1	DRAWING NO 858873	REV F																		

858873