



Chipsmall Limited consists of a professional team with an average of over 10 year of expertise in the distribution of electronic components. Based in Hongkong, we have already established firm and mutual-benefit business relationships with customers from,Europe,America and south Asia,supplying obsolete and hard-to-find components to meet their specific needs.

With the principle of “Quality Parts,Customers Priority,Honest Operation,and Considerate Service”,our business mainly focus on the distribution of electronic components. Line cards we deal with include Microchip,ALPS,ROHM,Xilinx,Pulse,ON,Everlight and Freescale. Main products comprise IC,Modules,Potentiometer,IC Socket,Relay,Connector.Our parts cover such applications as commercial,industrial, and automotives areas.

We are looking forward to setting up business relationship with you and hope to provide you with the best service and solution. Let us make a better world for our industry!



## Contact us

Tel: +86-755-8981 8866 Fax: +86-755-8427 6832

Email & Skype: info@chipsmall.com Web: www.chipsmall.com

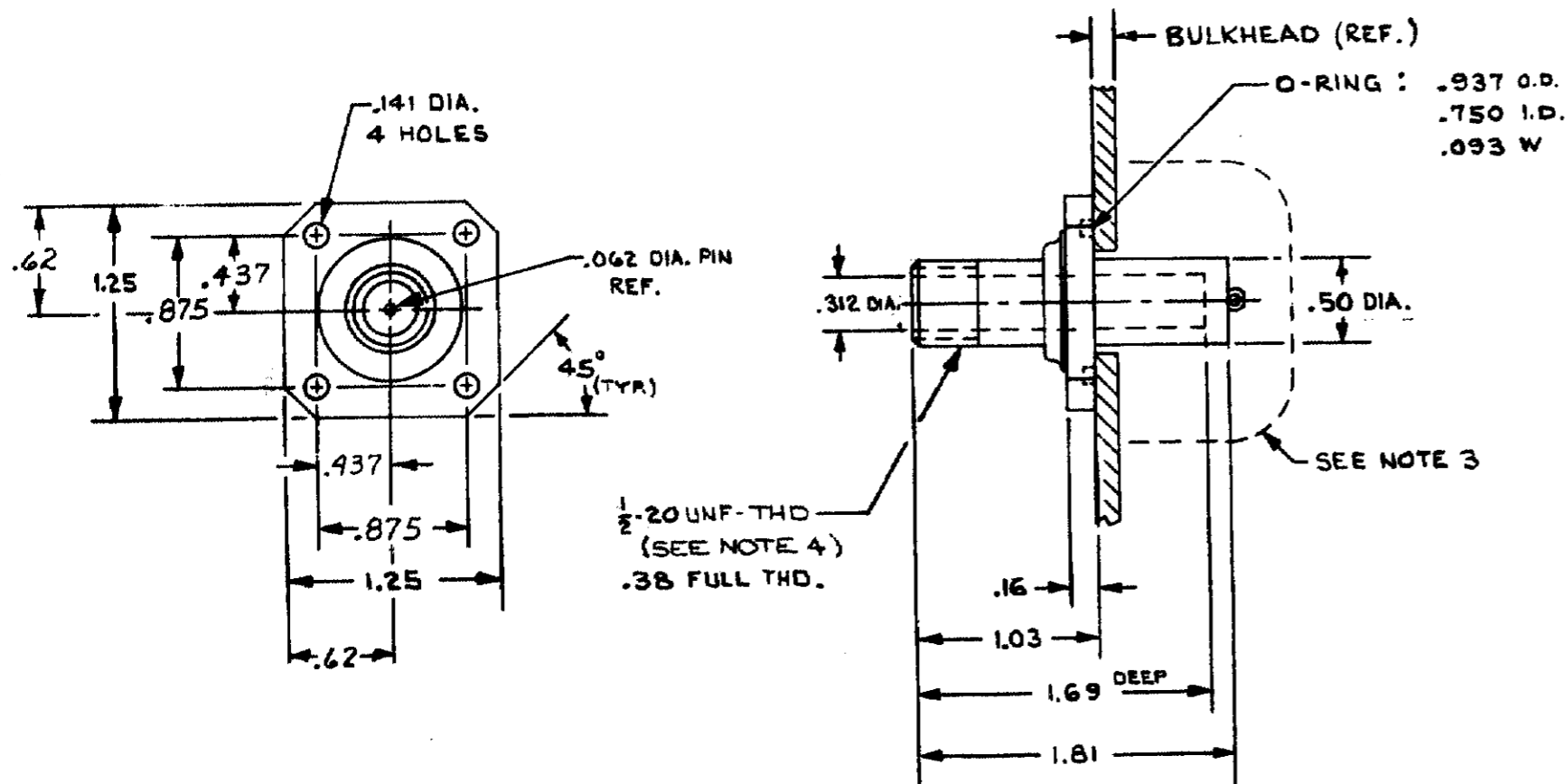
Address: A1208, Overseas Decoration Building, #122 Zhenhua RD., Futian, Shenzhen, China



© 1968 BY AMP INCORPORATED. ALL RIGHTS RESERVED. AMP PRODUCTS COVERED BY PATENTS AND/OR PATENTS PENDING.

THIS PRODUCT DESIGNED AND BUILT BY AMP INCORPORATED. NO LICENSE TO USE THAT DESIGN IN MANUFACTURE, OR TO USE ANY ISSUED OR PENDING PATENTS WHICH ARE INVOLVED, IS IMPLIED.

REVISIONS				
ZONE	LTR	DESCRIPTION	DATE	APPROVED
-	-	REF SD 24529		
A		.875 WAS .88 & .437 WAS .44	9-1-70	<i>M.K.</i>
B		ADDED NOTE 4 (SEE 4-284)	3/15/79	<i>M.K.</i>
C		REV. PER E.C.N. 8630	2-6-79	<i>M.K.</i>



NOTE:

- RECEPTACLE TO MATE WITH AMP LGH-1L LEAD ASSEMBLY, AVAILABLE SEPARATELY. WHEN MATING LEAD ASSEMBLY WITH RECEPTACLE, APPLY SILICONE GREASE PER 830800 INSTRUCTIONS.
- ALL METAL PARTS ARE TIN PLATED.
- CUSTOMER MUST PROTECT THE RECEPTACLE BACK END AGAINST ARC OVER & BREAKDOWN
- THREAD MEASUREMENT IN ACCORDANCE WITH H-28 HANDBOOK (3 WIRE METHOD) USING WIRE DIA. .02887, MEASUREMENT OVER WIRES SHALL BE .5111/.4971 DIA.

PART NO. IS THIS DWG. -1

ITEM NO.	DWG SIZE	PART OR IDENTIFYING NO.	NOMENCLATURE OR DESCRIPTION	SYMBOL
PARTS LIST				

QTY REQD	NEXT ASSY	FINAL ASSY	NEXT ASSY	USED ON	APPLICATION

UNLESS OTHERWISE SPECIFIED:  
 DIMENSIONS ARE IN INCHES  
 TOLERANCES  
 .00 ± .02 ANGLES ± 1°  
 .000 ± .005

MATERIAL: \_\_\_\_\_

FINISH: ~

CONTRACT NO. \_\_\_\_\_  
 DR *Overall* 2-14-68  
 CHK \_\_\_\_\_  
 APPD \_\_\_\_\_  
 APPD \_\_\_\_\_  
 DSGN APPD *J. Law* 2-14-68  
 OTHER APPD \_\_\_\_\_

**AMP** AMP INCORPORATED  
 CAPITRON DIVISION  
 ELIZABETHTOWN, PENNSYLVANIA

NAME  
 FLANGED RECEPTACLE ASSY. WITH O-RING  
 (FOR BULKHEAD APPLICATION) LGH-1L

SIZE **B** CODE IDENT NO. 00779 NUMBER 858882

SCALE N.T.S. WT SHEET 1 OF 1

CUSTOMER DRAWING

PRINT DIST  
 L-837

UNRECORDED