



Chipsmall Limited consists of a professional team with an average of over 10 year of expertise in the distribution of electronic components. Based in Hongkong, we have already established firm and mutual-benefit business relationships with customers from,Europe,America and south Asia,supplying obsolete and hard-to-find components to meet their specific needs.

With the principle of “Quality Parts,Customers Priority,Honest Operation,and Considerate Service”,our business mainly focus on the distribution of electronic components. Line cards we deal with include Microchip,ALPS,ROHM,Xilinx,Pulse,ON,Everlight and Freescale. Main products comprise IC,Modules,Potentiometer,IC Socket,Relay,Connector.Our parts cover such applications as commercial,industrial, and automotives areas.

We are looking forward to setting up business relationship with you and hope to provide you with the best service and solution. Let us make a better world for our industry!



## Contact us

Tel: +86-755-8981 8866 Fax: +86-755-8427 6832

Email & Skype: info@chipsmall.com Web: www.chipsmall.com

Address: A1208, Overseas Decoration Building, #122 Zhenhua RD., Futian, Shenzhen, China



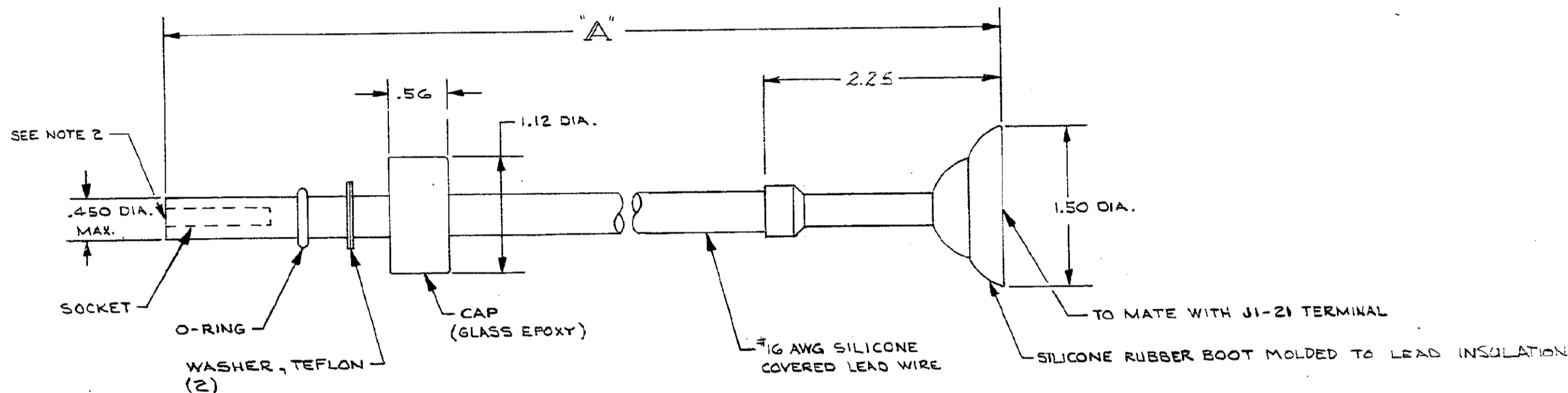
DRAWING MADE IN AMERICAN PROJECTION

© 1968 BY AMP INCORPORATED. ALL RIGHTS RESERVED. AMP PRODUCTS COVERED BY PATENTS AND/OR PATENTS PENDING.

THIS PRODUCT DESIGNED AND BUILT BY AMP INCORPORATED. NO LICENSE TO USE THIS DESIGN OR DIMENSIONS, OR TO USE ANY DESIGN OR PATENT RIGHTS WHICH ARE IN FORCE, IS IMPLIED.

REVISIONS				
ZONE	LTR	DESCRIPTION	DATE	APPROVED
-	-	REF. SD #24758		
A		REV. PER ECN 2711	T.S. 7/24/72	Kan Y.
B		REV. PER ECN 8061	L.G. 7/29/75	M.A.
C		OBS-1 PER ECN L-1559	9/29/87	R.B.

AMP P/N	"A"	
858932-1	15.00	OBSOLETE
858932-2	24.00	



- TOLERANCE ON "A" DIMENSION: UP TO 24 = ±.12  
24 & UP = ± 1% OF LENGTH
- LEAD ASSY. TO MATE WITH LGH-2 RECEPTACLES 833782, 836560 & ANY DASH NO., 836693, 837043, 840568 & OTHER SIMILAR LGH-2 RECEPTACLES
- COLOR OF LEAD WIRE WHITE UNLESS OTHERWISE SPECIFIED.

QTY REQD	QTY REQD	ITEM NO.	DWG SIZE	PART OR IDENTIFYING NO.	NOMENCLATURE OR DESCRIPTION	SYMBOL
-2	-1					
PARTS LIST						
UNLESS OTHERWISE SPECIFIED: DIMENSIONS ARE IN INCHES TOLERANCES .00 = ±.02 ANGLES = .000 = ±.005				CONTRACT NO. DR <i>Debra</i> 3-11-68		AMP INCORPORATED CAPITRON DIVISION ELIZABETHTOWN, PENNSYLVANIA
MATERIAL:				NAME LGH-2 CRT LEAD ASSY.		
FINISH:				APPD <i>JWSaw</i> 3/13/68		AMP
NEXT ASSY				DSGN APPD		
FINAL ASSY				OTHER APPD		SIZE C
NEXT ASSY						CODE IDENT NO. 00779
USED ON						NUMBER 858932
QTY REQD						SCALE 1/1
APPLICATION						WT
						SHEET 10F1

CUSTOMER DRAWING

858932